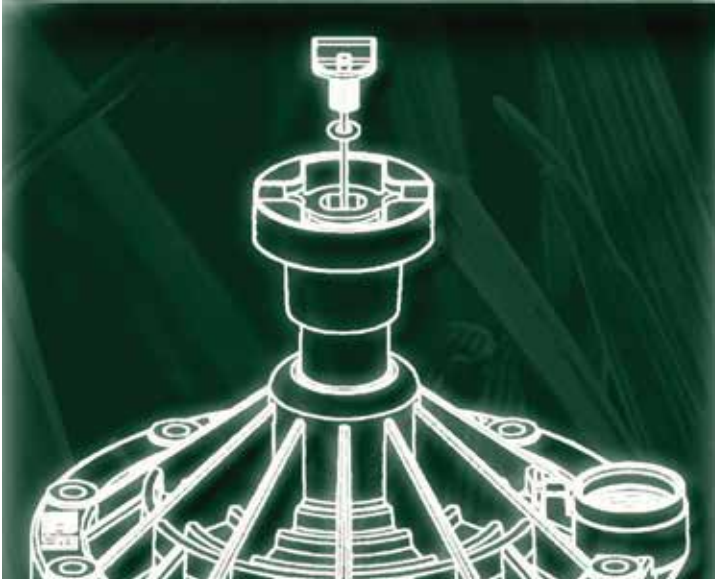
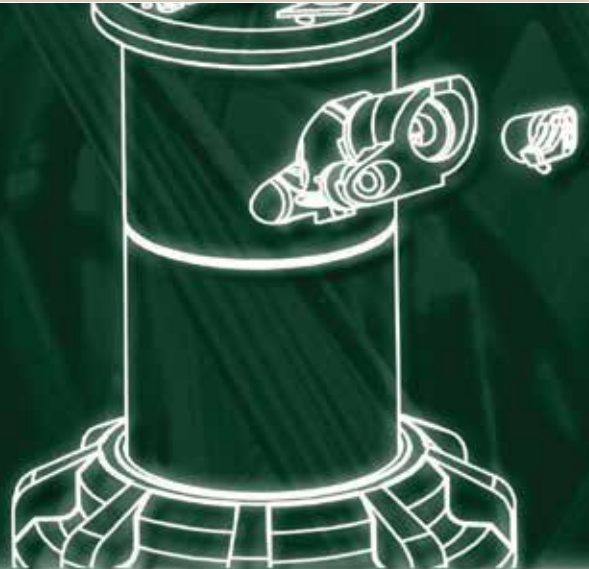
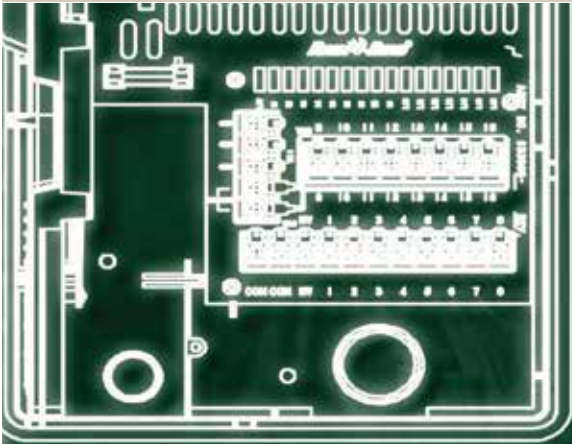




Master Parts Book 2015



Effective Date: January 1, 2015

January 1, 2015



Your Irrigation Superstore
Email: irrigate@schumacherirrigation.com
www.schumacherirrigation.com

Toll Free: 800-246-3685
Phone: 402-246-3685
Fax: 402-246-2072

Catalog Number	Description
PRELIMINARY	
000	Index
002	Introduction & Instructions
SPRAY HEADS	
100	1800 Series
102	UNI-Spray™ Series
104	1200 Series
106	SP-25 Sure-Pop / SP-40 Sure-Pop
FULL CIRCLE IMPACT SPRINKLERS AND GUNS	
200	LF Series
202	14VH
204	20JH / 20 ADJ-B
206	L20VH / M20VH -PM
208	L20H
210	20AH and Related Models
212	29JH
214	30H
216	30BH and Related Models
218	30IBH / 30IEBH
220	L3030H
222	L36H / L36AH
224	40FC TNT / 40FCH
226	14070H
228	46H / 46WH / 46AH / 46AWH
230	70CWH
232	80EHD / 80EHD-LA / 80EHD-BSP
234	SR2005 (1997 - 1998) - Blue or Gold Sticker
236	SR2005 (1999) - Silver Sticker
238	SR2005 (2000) - Green Sticker
240	SR3003 (1997 - 1998) - Gold Sticker
242	SR3003 (1999) - Silver Sticker
244	SR3003 (2000) - Green Sticker
246	F2004 (1997 - 1998) - Blue or Gold Sticker
248	F2004 (1999) - Silver Sticker
250	F2004 (2000) - Green Sticker
252	F3002 (1997 - 1998) - Gold Sticker
254	F3002 (1999) - Silver Sticker
256	F3002 (2000) - Green Sticker
258	1004M / 104C / 1004C
260	105C / 1005C / 1005M / 1005M-DC
262	SLL20VH / SL20VH / SM20VH / S20VH / SLL20H / SL20H / SM20H / S20H
264	808A Series

Catalog Number	Description
PART CIRCLE IMPACT SPRINKLERS	
300	25B Series
302	35A Series
304	65PJ-TNT / 65PJADJ-TNT
306	85EHD SERIES
308	2045-PJ Maxi-Bird™
ROTORS	
400	LG-3 / MG-4 / 15103-07/09 Mini-Paw® / AG-5 / AG-5-SAM / 2045A Maxi-Paw™ / 2045A Maxi-Paw-SAM
402	32SA / 32SA Shrub
404	42SA
406	3504-PC / 3504-S-PC
408	5000, 5004, 5006, 5000-PL, 5004-PL, 5006-PL
410	5000 PLUS, 5004 PLUS, 5006 PLUS, 5012 PLUS, UPG-PL-PC-S
412	5505 / 5512
414	Falcon® 6504
416	7005 / 8005
418	Talon - TA-80-FC
420	Talon - TA-85-PC
422	21-51A / 21-51AP Series
424	27-47A / 27-47AP Series
426	21-51A SAM / 21-51A-VIH-E Series
428	27-47A SAM / 27-47A VIH-E Series
430	51DR / 51DS / 51DH Internal Assembly
432	47DR / 47DS / 47DH Internal Assembly
434	47DR / 47DS / 47DH / 51DR / 51DS / 51DH Case Assy
436	EAGLE's Nest™ Rotor Adaptors for 47/51DR Series Rotors
438	91DR / 91DS / 91DH Internal Assembly
440	95DR / 95DS / 95DH Internal Assembly
442	91DR / 91DS / 91DH / 95DR / 95DS / 95DH Case Assembly
444	EAGLE 351
446	EAGLE 500 Internal Assembly
448	EAGLE 550 Internal Assembly
450	EAGLE 700 Internal Assembly
452	EAGLE 750 Internal Assembly
454	EAGLE 900 Internal Assembly
456	EAGLE 950 Internal Assembly
458	EAGLE 500 / 550 / 700 / 750 Series Case Assembly
460	EAGLE 900 / 950 / 1100 / 1150 / 115-E Series Case Assy
462	EAGLE 1100 Series Internal Assembly
464	EAGLE 1150 Series Internal Assembly
466	RAIN BIRD 700 Internal Assembly
468	RAIN BIRD 751 Internal Assembly
470	115-E Series Full Circle Internal Assembly
472	115-E Series Part Circle Internal Assembly

Note: Part numbers enclosed in brackets () are not available individually, but may be sold in assemblies or kits.

January 1, 2015

Catalog Number	Description
MANUAL VALVES	
500	Swivel Hose Ells - SH-0 / SH-0-BSP / SH-1 / SH-2 / SH-2-BSP / SH-3
502	One-Piece Quick Couplers - 3, 5, and 7 Series
504	Two-Piece Quick Couplers - 33, 44, 55, and 77 Series
ELECTRIC VALVES	
600	75 DV / 100 DV / 100 DV-F
602	075-ASVF / 100-ASVF
603	100 HV / HVF
604	100PGA / 150PGA / 200PGA Series
610	100/150/200 PE, PESB and PESB-R Series
612	APAS-075 / APAS-100 / ECV-075 / ECV-100
614	CP-075 / CP-100 / CPF-075 / CPF-100
616	075-DAS / 100-DAS
618	JTV-100 / JTV-100-SS (CP Version)
620	100JTVF (Turf Version)
622	JTV/AS/F/B-075/100
624	75E / 75EA / 100E / 100EA
626	75 / 100 / 125 / 150 / 200 EF, EFA, G Series
628	100GB / 125GB / 150GB / 200GB Series
630	125 / 150 / 200 EF-CP & 100 / 125 / 150 / 200EFA-CP Series
632	100EFB-CP / 125EFB-CP / 150EFB-CP / 200EFB-CP Series
634	300 BPE and BPES Series
636	PRS, PRS-2, PRS-B, PRS-D
638	Solenoids
MECHANICAL & ELECTRONIC CONTROLLERS	
700	RZX-4 / RZX-6 / RZX-8 (Outdoor model)
702	RZX-4i / RZX-6i / RZX-8i (Indoor model)
704	ESP-ME (Indoor and Outdoor)
706	ESP Modular
708	ESP-SMT Controller and Sensor
710	STPi-4/STPi-6/STPi-9 (International)
712	STPi-4/STPi-6/STPi-9 (Domestic)
714	ESP- 4TM / ESP-6TM / ESP-8TM
716	ESP-MC / ESP-MC-P Series
718	ESP-LX Modular
720	ESPLXD Modular
722	PAR+ES Golf Satellite Controller
724	TBOS™ (UNIK™) Field Transmitter
726	TBOS (UNIK) Control Module
728	Easy Rain™
730	RSD-BEX
732	WR2

Catalog Number	Description
MISCELLANEOUS	
800	Universal Hose Adapter
802	Standard Swing Joint Assembly
804	Standard Swing Joint Assembly with ACME Inlet
806	Triple Top Swing Joint Assembly
808	Triple Top Swing Joint Assembly with ACME Inlet
810	Accessories and Tools
900	Notes

Note: Part numbers enclosed in brackets () are not available individually, but may be sold in assemblies or kits.

January 1, 2015

Rain Bird is committed to providing you with the best parts and after sales service programs in the irrigation industry. This Master Parts Book represents that commitment by supplying you with current information so that you can obtain replacement parts for your Rain Bird products. We hope you will find this book useful as you purchase and use Genuine Rain Bird Parts.

HOW TO USE THE MASTER PARTS BOOK (SEE NEXT PAGE FOR EXAMPLE)

The Master Parts Book was designed to be easy. There is a simple index which allows you to quickly locate the part list you need. Each part list has a simple format. Just follow these guidelines and you should easily find the part you want.

1. First look at the picture to identify the part in which you are interested. Note the reference number of that part.
2. Look at the headings on the part list matrix and find the product model which you need parts for. Look down the column until you reach the row with the reference number of the part you previously identified. At that intersection is the part number you need.
3. If the part number you need IS NOT IN BRACKETS () then the part can be purchased by itself. However, if the part IS IN BRACKETS () then that part is either not sold or it must be purchased in a kit or an assembly.
4. A part sold in an assembly will have its description indented under the assembly that is available. A part sold in a kit will have a footnote (usually a letter) beside its description. Look to the bottom of that page or the last page in the list for the kit number.

HOW TO ORDER PARTS (Rain Bird Distributors Only)

Rain Bird distributors can order parts in a number of ways. Orders for parts should be placed by using :

1. Self Service at www.rainbird.com/distributor For new Self Service accounts, contact Customer Service.
2. Faxing to Customer Service
3. Electronic Data Interchange (EDI)

		Website	Telephone	Fax
Rain Bird Sales (Turf, AG, & Golf)	Tucson, AZ	www.rainbird.com	800-282-1933	800-843-4162
Rain Bird Consumer Products	Tucson, AZ	www.rainbird.com	800-435-5672	800-232-9472

HOW PARTS ARE SHIPPED (Rain Bird Distributors Only)

Rain Bird parts are shipped in one of two ways:

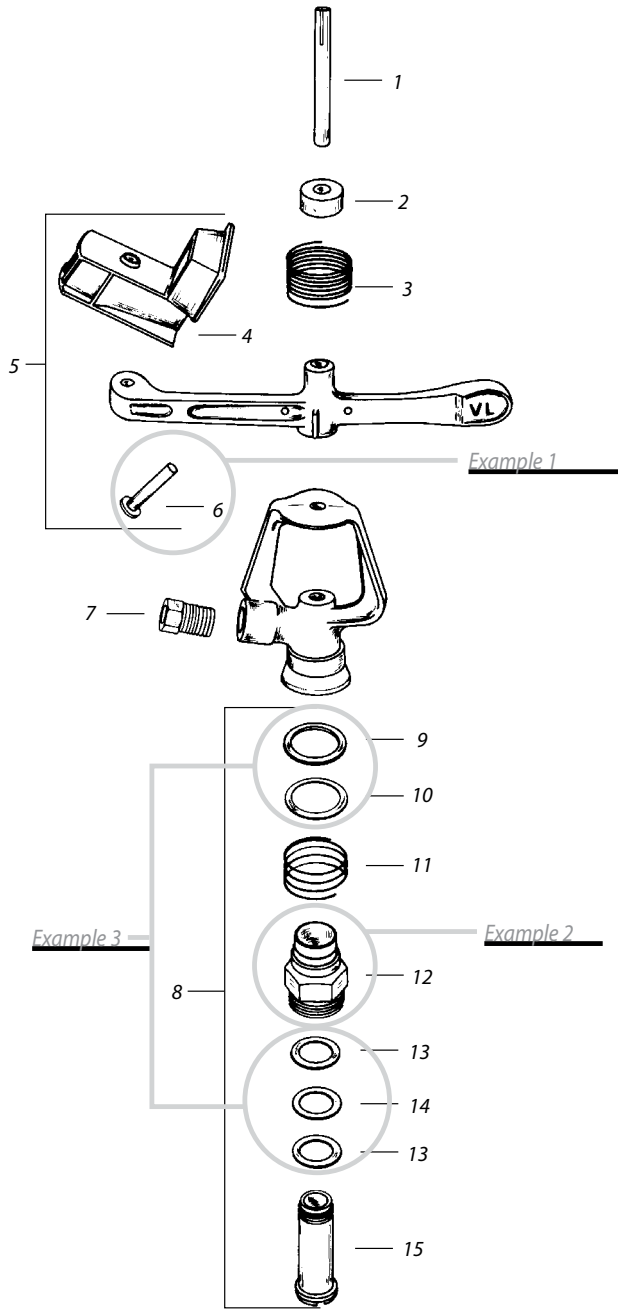
1. Regular parts orders are shipped like your normal Rain Bird orders with the same processing times and freight policies. They can, however, include both parts and whole goods.
2. Quick Parts Service (QPS) orders are special parts only orders that ship quickly to your door. We process them in one day and ship them out in one to two business days depending on your location. Domestic customers receive prepaid freight on orders over \$ 250.00 net. There is NO MINIMUM purchase on QPS parts orders. Most QPS orders are received at your door within 2 to 5 days. We encourage you to use QPS whenever you need quick delivery.

QPS - The Quick Way to Receive Rain Bird Parts!

Note: Part numbers enclosed in brackets () are not available individually, but may be sold in assemblies or kits.

January 1, 2015

(THIS PAGE IS AN EXAMPLE ONLY, DO NOT USE FOR REFERENCING PARTS.)



Example 1 - You need the wedge pin on a L20VH. First, find the reference number for the wedge pin in the picture (# 6). Second, look at the headings on the parts list matrix and find the L20VH. Third, go down the L20VH column to reference number 6. The part number you need is 100331.

Example 2 - You need the plastic bearing sleeve on a M20VH-PM. As before, find the reference number for the sleeve on the picture (# 12). Next, find the M20VH-PM column and go down the list to reference number 12. The part you need is 104631. Since part 104631 is in brackets it is not available by itself. Look at the part's description to see if it is indented below an assembly. If it is (# 104885 in this example) then you can purchase the sleeve in that assembly (Provided the assembly is not in brackets).

Example 3 - You need new washers for your M20VH. Find the reference number for the washers and look at the matrix to find the part numbers. Since these numbers are in brackets look at their descriptions to see if they are indented. Also, look at the descriptions to see if there are any footnotes (usually a letter). If there are footnotes look to the bottom of the matrix to find the kit or notation. In this case kit # 123456 contains the washers for the M20VH.

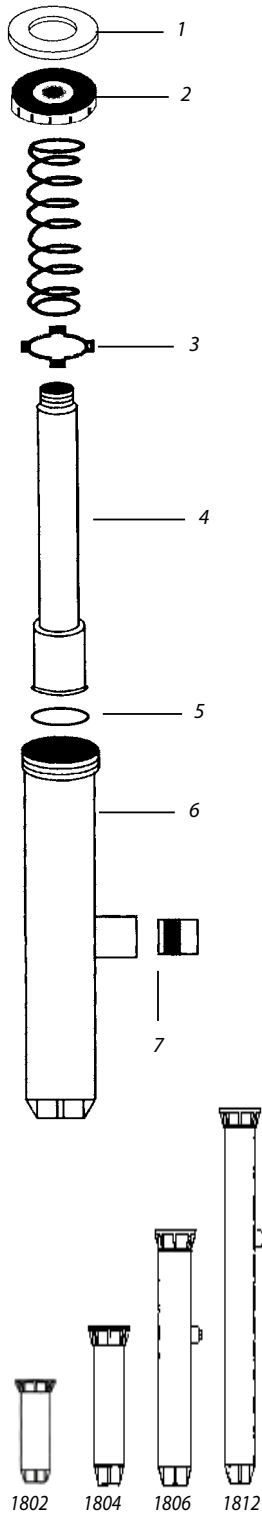
Ref. Part Description	Example 1	Example 2
	L20VH M20VH	L20VH-PM M20VH-PM
UPPER ASSEMBLY		
1 Fulcrum Pin	100793	100793
2 Arm Hood	100775	100775
5 Arm Spring Assembly	114818	114818
3 Arm Spring	100172	100172
4 Wedge	111188	111188
6 Wedge Pin	100331	100331
NOZZLES (Specify nozzle size when ordering)		
7 Straight Bore	105780	105780
- Off Axis 3 Degree	106171	106171
- Low Pressure 0 Degree	104571	104571
- Low Pressure 3 Degree	104572	104572
- Rain Flow	111088	111088
BEARING ASSEMBLY		
8 Bearing Assembly	104189	104885
9 Top Seal Washer (Black)	(A) (104183)	104183
10 Metal Top Seal Washer	(A) (100280)	100280
11 Bearing Spring	105431	105431
12 Bearing Sleeve (Brass)	104153	—
12 Bearing Sleeve (Plastic)	—	(A) (104631)
13 Bearing Washer (2) (Black)	(A) (104181)	104181
14 Wear Washer (Orange)	(A) (104184)	104184
15 Bearing Nipple	102020	102020

(A) Included in Bearing Kit #123456.

(THIS PAGE IS AN EXAMPLE ONLY, DO NOT USE FOR REFERENCING PARTS.)

Note: Part numbers enclosed in brackets () are not available individually, but may be sold in assemblies or kits.

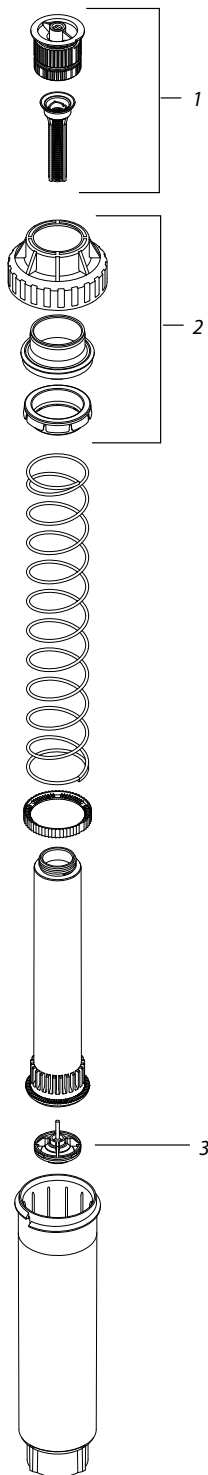
January 1, 2015



Ref.	Part Description	1802	1804	1806	1812
STANDARD MODELS					
1	Non-Potable snap cover	A46610	A46610	A46610	A46610
2	Cover	116901	116901	116901	116901
3	Adjustment guide, ratcheting	(113363)	(113363)	(113363)	(113363)
4	Stem assembly, ratcheting	—	(112175)	112174	(112173)
6	Body	—	—	—	(115880)
7	Plug	—	—	(107355)	(107355)
SAM MODELS					
1	Non-Potable snap cover	—	A46610	A46610	A46610
2	Cover	—	116901	116901	116901
3	Adjustment guide, ratcheting	—	(113363)	(113363)	(113363)
4	Stem assembly, ratcheting	—	(109250)	(113119)	(113121)
5	Seal, SAM	—	(112528)	(112528)	(112528)
6	Body	—	—	—	(115880)
7	Plug	—	—	(107355)	(107355)
PRS MODELS					
1	Non-Potable snap cover	—	A46610	A46610	A46610
2	Cover	—	116901	116901	116901
3	Adjustment guide, ratcheting	—	(113363)	(113363)	(113363)
4	Stem assembly, ratching	—	(111587)	(111588)	(111589)
6	Body	—	—	—	(115880)
7	Plug	—	—	(107355)	(107355)
SAM-PRS MODELS					
1	Non-Potable snap cover	—	A46610	A46610	A46610
2	Cover	—	116901	116901	116901
3	Adjustment guide, ratcheting	—	(113363)	(113363)	(113363)
4	Stem assembly, ratching	—	(111590)	(111591)	(111592)
5	Seal, SAM	—	(112528)	(112528)	(112528)
6	Body	—	—	—	(115880)
7	Plug	—	—	(107355)	(107355)
SAM-P45 MODELS					
1	Non-Potable snap cover	—	A46610	A46610	A46610
2	Cover	—	116901	116901	116901
3	Adjustment guide, ratcheting	—	(113363)	(113363)	(113363)
4	Stem assembly, ratching	—	(178043)	(178044)	(178045)
5	Seal, SAM	—	(112528)	(112528)	(112528)
6	Body	—	—	—	(115880)
—	White Filter Screen	(A21511)	(A21511)	(A21511)	(A21511)
—	Blue Filter Screen	A21550	A21550	A21550	A21550

Note: Part numbers enclosed in brackets () are not available individually, but may be sold in assemblies or kits.

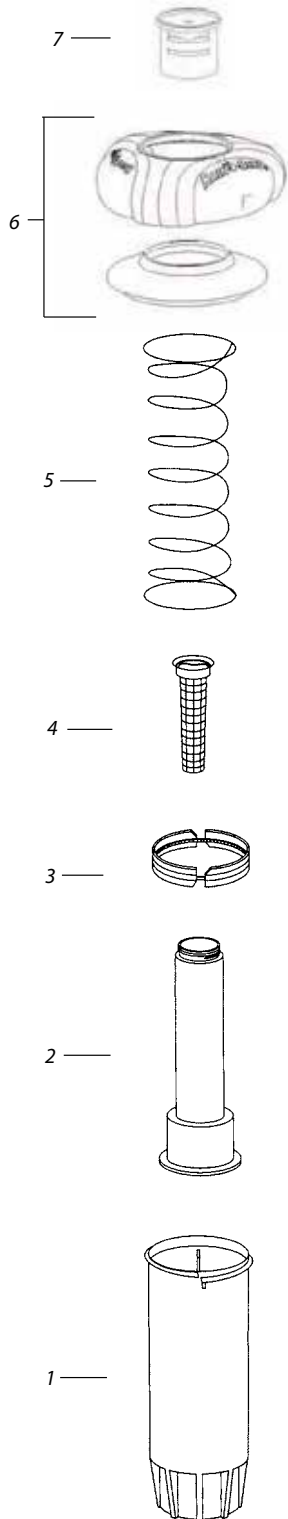
January 1, 2015



Ref.	Part Description	US200	US400	US600
BODY ASSEMBLY				
1	VAN nozzle, 10'	—	P10010-01	—
—	VAN nozzle, 12'	P10012-01	P10012-01	—
—	VAN nozzle, 15'	P10015-01	P10015-01	—
—	VAN nozzle, 18'	—	P10018	—
2	Cover assembly	(170396)	(170396)	(170396)
3	SAM check valve (sold separately)	P90000	P90000	P90000

Note: Part numbers enclosed in brackets () are not available individually, but may be sold in assemblies or kits.

January 1, 2015



<u>Ref. Part Description</u>	<u>1225-DSF</u>	<u>1225-DSH</u>	<u>1225-DSO</u>
1 Body 2 ¹ / ₂ "	(111109)	(111109)	(111109)
2 Stem 2 ¹ / ₂ "	(115425)	(115425)	(115425)
3 Washer Ratchet	(115039)	(115039)	(115039)
4 Screen	(107323)	(107323)	(107323)
5 Spring(117110)	(117110)	(117110)	—
6 Cap/Seal Assembly	(173939)	(173939)	(173939)
7 Nozzle	U10020	U10010	U10015

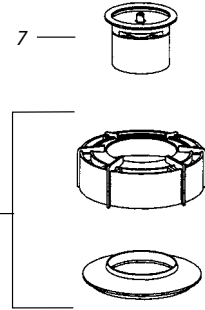
<u>Ref. Part Description</u>	<u>1240-DSF</u>	<u>1240-DSH</u>	<u>1240-DSO</u>
1 Body 4"	(111108)	(111108)	(111108)
2 Stem 4"	(115427)	(115427)	(115427)
3 Washer Ratchet	(115039)	(115039)	(115039)
4 Screen	(107323)	(107323)	(107323)
5 Spring(117110)	(117110)	(117110)	—
6 Cap/Seal Assembly	(173939)	(173939)	(173939)
7 Nozzle	U10020	U10015	U10015

Note: Part numbers enclosed in brackets () are not available individually, but may be sold in assemblies or kits.

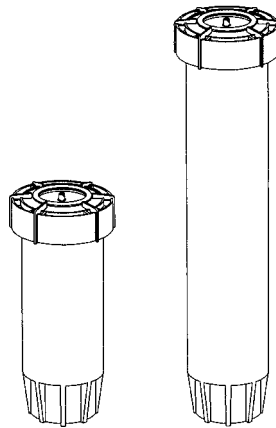
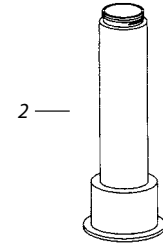
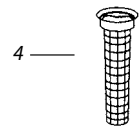
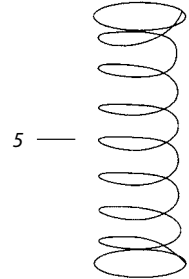
January 1, 2015

SP-25 SURE-POP / SP-40 SURE-POP

Ref. Part Description	SP-25-F	SP-25-H	SP-25-O	SP-25-SO	SP-25-EST	SP-25-SST	SP-25-CST	SP-25-AP
1 Body 2 1/2"	(111109)	(111109)	(111109)	(111109)	(111109)	(111109)	(111109)	(111109)
2 Stem 2 1/2"	(115425)	(115425)	(115425)	(115425)	(115425)	(115425)	(115425)	(115425)
3 Washer Ratchet	(115039)	(115039)	(115039)	(115039)	(115039)	(115039)	(115039)	(115039)
4 Screen	(107323)	(107323)	(107323)	(107323)	(107323)	(107323)	(107323)	(107323)
5 Spring(117109)	(117109)	(117109)	(117109)	(117109)	(117109)	(117109)	(117409)	—
6 Cap/Seal Assembly	114111	114111	114111	114111	114111	114111	114111	114111
7 Nozzle(15' Radius)	A47000	A47070	A47005	A47050	A47006	A47008	A47007	P10015-01

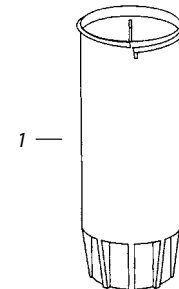


Ref. Part Description	SP-40-F	SP-40-H	SP-40-O	SP-40-SO	SP-40-EST	SP-40-SST	SP-40-CST	SP-40-AP
1 Body 4"	(111108)	(111108)	(111108)	(111108)	(111108)	(111108)	(111108)	(111108)
2 Stem 4"	(115427)	(115427)	(115427)	(115427)	(115427)	(115427)	(115427)	(115427)
3 Washer Ratchet	(115039)	(115039)	(115039)	(115039)	(115039)	(115039)	(115039)	(115039)
4 Screen	(107323)	(107323)	(107323)	(107323)	(107323)	(107323)	(107323)	(170247-02)
5 Spring(117110)	(117110)	(117110)	(117110)	(117110)	(117110)	(117110)	(117110)	—
6 Cap/Seal Assembly	114111	114111	114111	114111	114111	114111	114111	114111
7 Nozzle (15' Radius)	A47000	A47070	A47005	A47050	A47006	A47008	A47007	P10015-01



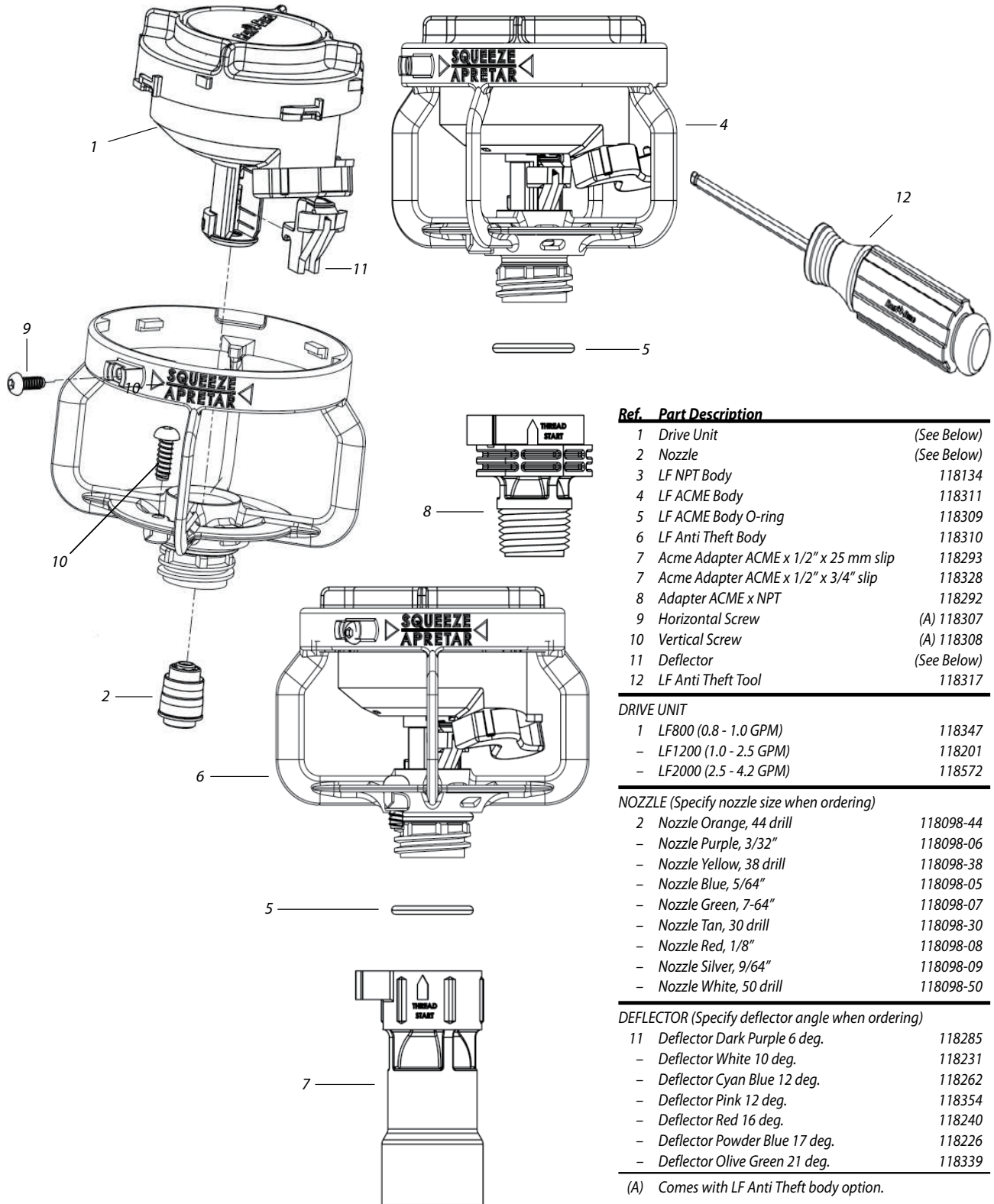
SP-25

SP-40



Note: Part numbers enclosed in brackets () are not available individually, but may be sold in assemblies or kits.

January 1, 2015



Ref.	Part Description	
1	Drive Unit	(See Below)
2	Nozzle	(See Below)
3	LF NPT Body	118134
4	LF ACME Body	118311
5	LF ACME Body O-ring	118309
6	LF Anti Theft Body	118310
7	Acme Adapter ACME x 1/2" x 25 mm slip	118293
7	Acme Adapter ACME x 1/2" x 3/4" slip	118328
8	Adapter ACME x NPT	118292
9	Horizontal Screw	(A) 118307
10	Vertical Screw	(A) 118308
11	Deflector	(See Below)
12	LF Anti Theft Tool	118317

DRIVE UNIT		
1	LF800 (0.8 - 1.0 GPM)	118347
-	LF1200 (1.0 - 2.5 GPM)	118201
-	LF2000 (2.5 - 4.2 GPM)	118572

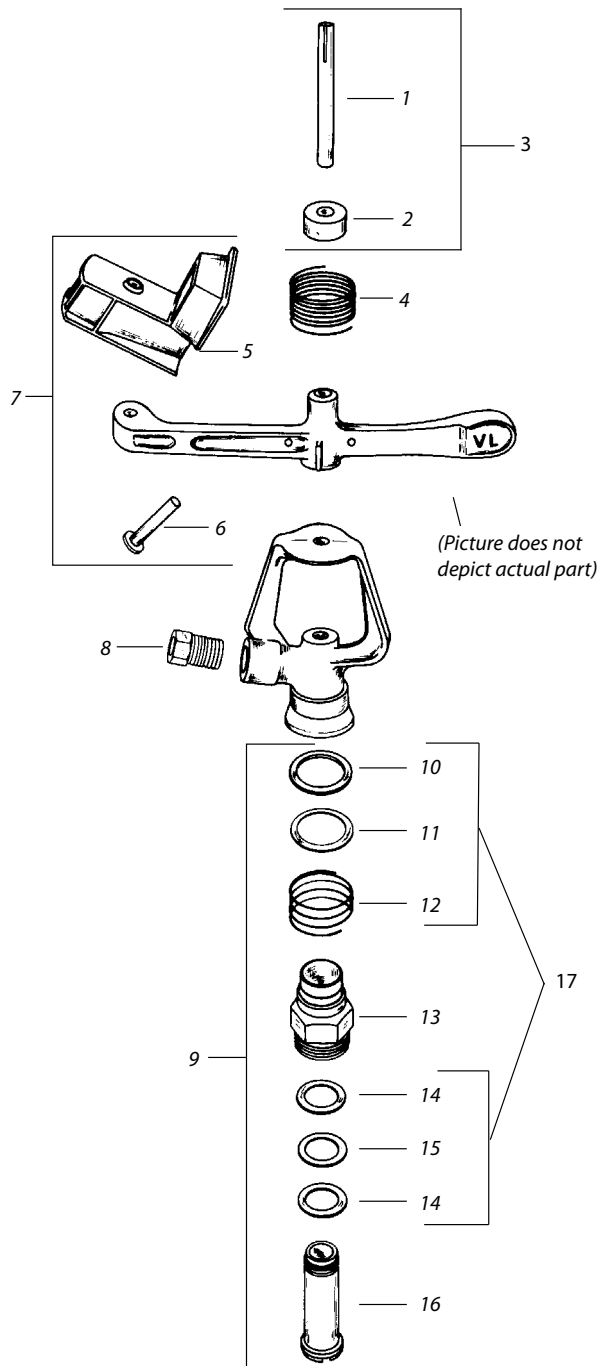
NOZZLE (Specify nozzle size when ordering)		
2	Nozzle Orange, 44 drill	118098-44
-	Nozzle Purple, 3/32"	118098-06
-	Nozzle Yellow, 38 drill	118098-38
-	Nozzle Blue, 5/64"	118098-05
-	Nozzle Green, 7-64"	118098-07
-	Nozzle Tan, 30 drill	118098-30
-	Nozzle Red, 1/8"	118098-08
-	Nozzle Silver, 9/64"	118098-09
-	Nozzle White, 50 drill	118098-50

DEFLECTOR (Specify deflector angle when ordering)		
11	Deflector Dark Purple 6 deg.	118285
-	Deflector White 10 deg.	118231
-	Deflector Cyan Blue 12 deg.	118262
-	Deflector Pink 12 deg.	118354
-	Deflector Red 16 deg.	118240
-	Deflector Powder Blue 17 deg.	118226
-	Deflector Olive Green 21 deg.	118339

(A) Comes with LF Anti Theft body option.

Note: Part numbers enclosed in brackets () are not available individually, but may be sold in assemblies or kits.

January 1, 2015



Ref. Part Description 14VH

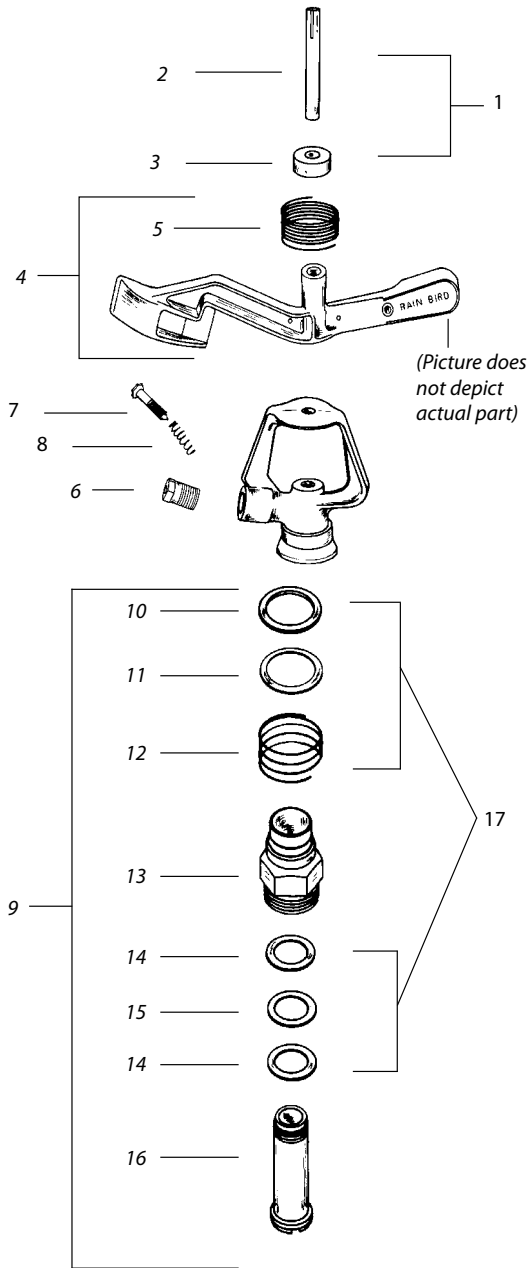
Ref.	Part Description	14VH
UPPER ASSEMBLY		
3	Fulcrum Kit	177416
1	Fulcrum Pin	(100793)
2	Arm Hood	(117360)
7	Arm Spring Assembly	177521
4	Arm Spring	(100172)
5	Wedge	(111188)
6	Wedge Pin	(116046)

NOZZLES (Specify nozzle size when ordering)		
8	Straight Bore	105780xx

BEARING ASSEMBLY		
9	Bearing Assembly (H Style)	177535
10	Top Seal Washer (Black)	(104183)
11	Metal Top Seal Washer	(100280)
12	Bearing Spring	(105431)
13	Bearing Sleeve (Brass)	177510
14	Bearing Washer (2) (Black)	(104181)
15	Wear Washer	(104696)
16	Bearing Nipple	177516
17	Bearing Washer Kit	177536
10	Top Seal Washer (Black)	(104183)
11	Metal Top Seal Washer	(100280)
12	Bearing Spring	(105431)
14	Bearing Washer (2) (Black)	(104181)
15	Wear Washer	(104696)

Note: Part numbers enclosed in brackets () are not available individually, but may be sold in assemblies or kits.

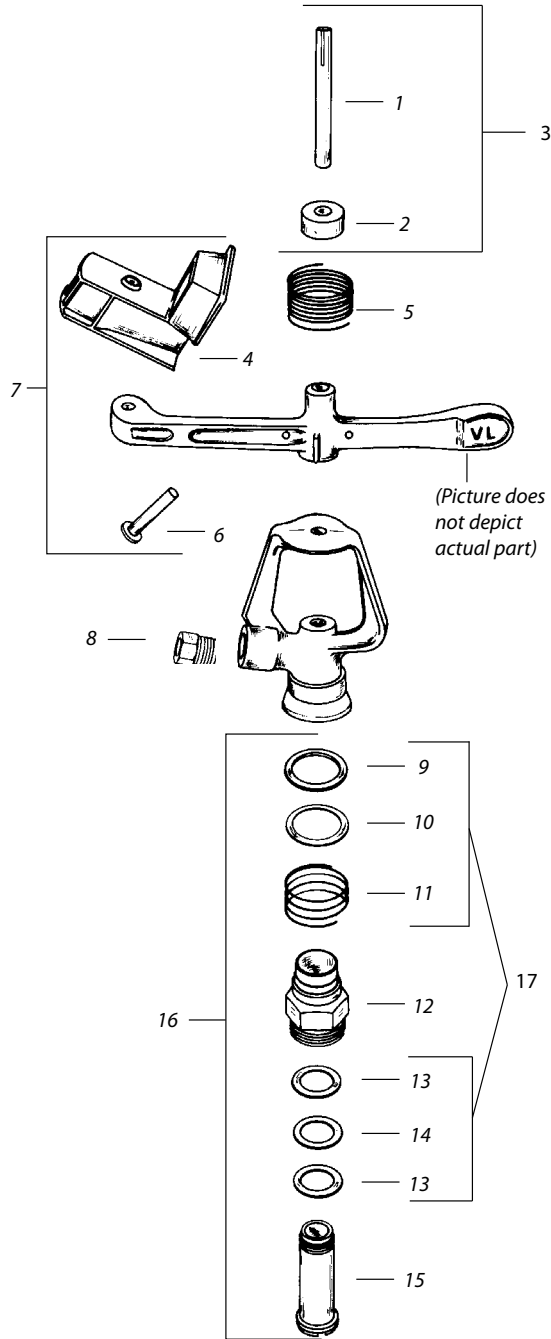
January 1, 2015



Ref.	Part Description	20JH	20 ADJ-B
UPPER ASSEMBLY			
1	Fulcrum Kit	177415	—
2	Fulcrum Pin	(100793)	(100793)
3	Arm Hood	(100775)	—
4	Arm Spring Assembly	177525	(104984)
5	Arm Spring	(100133)	(106330)
NOZZLES (Specify nozzle size when ordering)			
6	Straight Bore	105780xx	05780xx
—	Nozzle & Vane Assembly	106160xx	—
—	Vane	101618	101618
7	Adjustment Screw	—	100136
8	Spring	—	100203
BEARING ASSEMBLY			
9	Bearing Assembly	177422	(109220)
10	Top Seal Washer (White)	(100279)	—
11	Metal Top Seal Washer	(100280)	—
12	Bearing Spring	(105431)	—
13	Bearing Sleeve (Brass)	177510	(104983)
14	Bearing Washer (2) (Black)	(104181)	(104181)
15	Wear Washer (White)	(104696)	(104696)
16	Bearing Nipple	177516	(104982)
17	Bearing Washer Kit	177445	—
10	Top Seal Washer (White)	(100279)	—
11	Metal Top Seal Washer	(100280)	—
12	Bearing Spring(105431)	—	—
14	Bearing Washer (2) (Black)	(104181)	(104181)
15	Wear Washer (White)	(104696)	(104696)

Note: Part numbers enclosed in brackets () are not available individually, but may be sold in assemblies or kits.

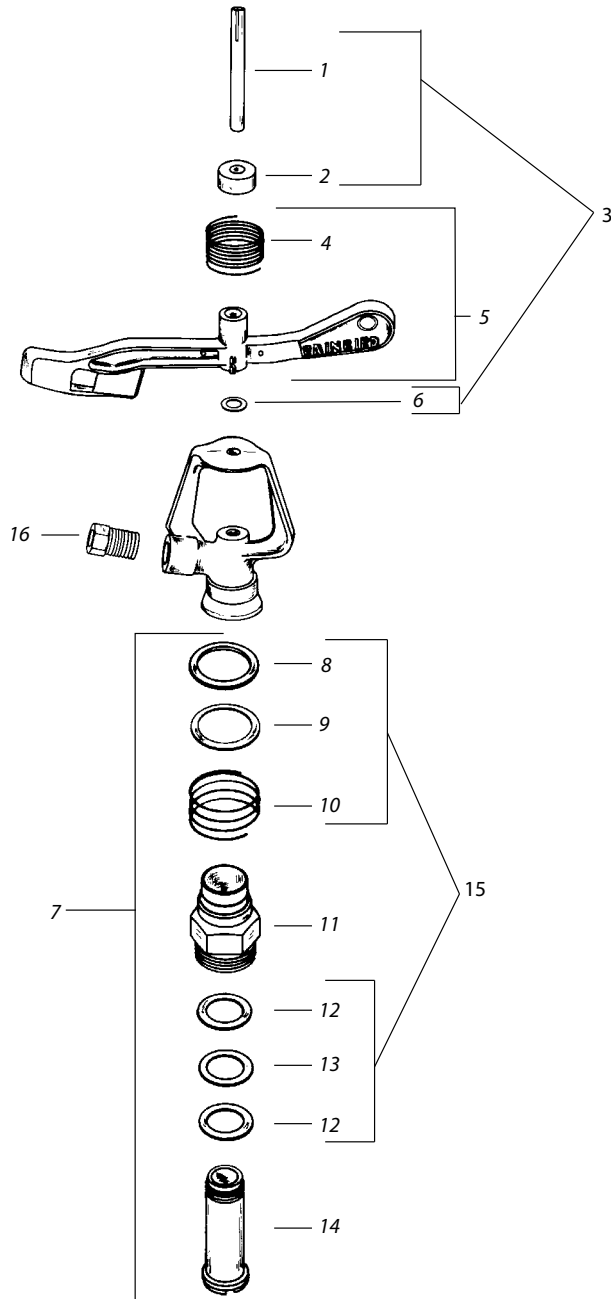
January 1, 2015



Ref.	Part Description	L20VH	M20VH-PM
UPPER ASSEMBLY			
3	Fulcrum Kit	177415	177415
1	Fulcrum Pin	(100793)	(100793)
2	Arm Hood	(100775)	(100775)
7	Arm Spring Assembly	177523	177523
5	Arm Spring	(100172)	(100172)
4	Wedge	(111188)	(111188)
6	Wedge Pin	(116046)	(116046)
NOZZLES (Specify nozzle size when ordering)			
8	Straight Bore	105780xx	105780xx
BEARING ASSEMBLY			
16	Bearing Assembly (Complete)	177535	177423
9	Top Seal Washer (Black)	(104183)	(104183)
10	Metal Top Seal Washer	(100280)	(100280)
11	Bearing Spring	(105431)	(105431)
12	Bearing Sleeve (Brass)	177510	—
12	Bearing Sleeve (Plastic)	—	177509
13	Bearing Washer (2) (Black)	(104181)	(104181)
14	Wear Washer (White)	(104696)	(104696)
15	Bearing Nipple	177516	177516
17	Bearing Washer Kit	177536	177536
9	Top Seal Washer (Black)	(104183)	(104183)
10	Metal Top Seal Washer	(100280)	(100280)
11	Bearing Spring	(105431)	(105431)
13	Bearing Washer (2) (Black)	(104181)	(104181)
14	Wear Washer (White)	(104696)	(104696)

Note: Part numbers enclosed in brackets () are not available individually, but may be sold in assemblies or kits.

January 1, 2015



Ref. Part Description L20H

UPPER ASSEMBLY

3	Fulcrum Kit	177415
1	Fulcrum Pin	(100793)
2	Arm Hood	(100775)
6	Arm Washer	(100173)
5	Arm Spring Assembly	177522
4	Arm Spring	(100172)

NOZZLES (Specify nozzle size when ordering)

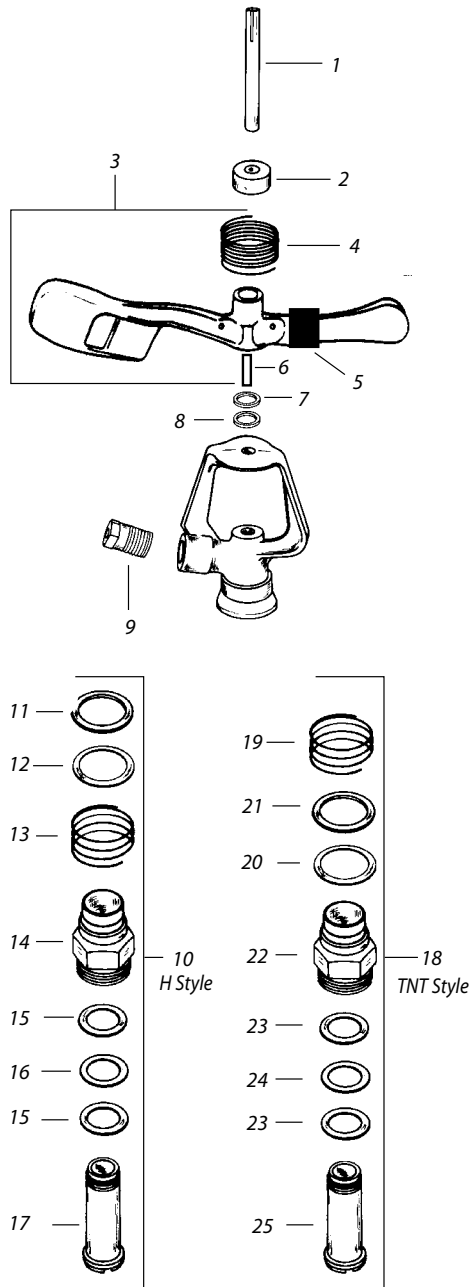
16	Straight Bore	105780xx
----	---------------	----------

BEARING ASSEMBLY

7	Bearing Assembly	177422
8	Top Seal Washer (White)	(100279)
9	Metal Top Seal Washer	(100280)
10	Bearing Spring	(105431)
11	Bearing Sleeve (Brass)	177510
12	Bearing Washer (2) (Black)	(104181)
13	Wear Washer (White)	(104696)
14	Bearing Nipple	177516
15	Bearing Washer Kit	177445
8	Top Seal Washer (White)	(100279)
9	Metal Top Seal Washer	(100280)
10	Bearing Spring	(105431)
12	Bearing Washer (2) (Black)	(104181)
13	Wear Washer (White)	(104696)

Note: Part numbers enclosed in brackets () are not available individually, but may be sold in assemblies or kits.

January 1, 2015

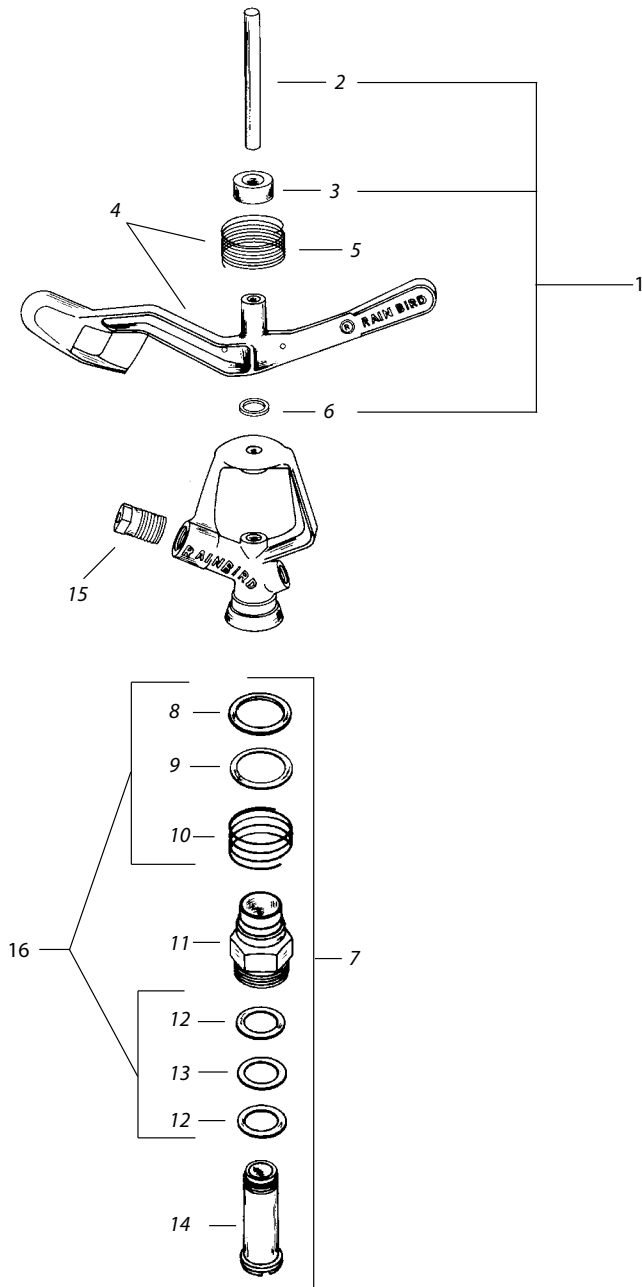


Ref.	Part Description	20AH	20AH PM	20AH
		20A TNT	ALUM	20A TNT
		ALUM	ALUM	(C) BRONZE
UPPER ASSEMBLY				
1	Fulcrum Pin	100793	100793	100793
2	Arm Hood	100775	100775	100775
3	Arm Spring Assembly	115306	115306	(102254)
4	Arm Spring	100172	100172	100133
5	Arm Bumper (Since 93/94)	101156	101156	101156
5	Arm Bumper (Old Style round arm)	101156	101156	101156
6	Arm Bushing	111731	111731	—
7	Arm Washer	100173	100173	100173
8	Arm Wear Washer	103080	103080	—
NOZZLES (Specify nozzle size when ordering)				
9	Straight Bore	105780	105780	105780
—	Low Angle 5 Degree	104590	104590	—
—	Low Angle 7 Degree	100225	100225	100225
—	Low Angle 12 Degree	100622	100622	100622
—	Low Angle 20 Degree	100226	100226	100226
—	Low Angle 23 Degree	100227	100227	100227
—	Low Pressure 0 Degree	104571	—	—
—	Plastic Quick Fit SBN (B)	117324	117324	—
BEARING ASSEMBLY				
10	Bearing Assembly (H Style)	118343	104792	(108963)
11	Top Seal Washer (Black)	104183	104183	104183
12	Metal Top Seal Washer	100280	100280	100280
13	Bearing Spring	105431	105431	100272
14	Bearing Sleeve (Brass)	104153	—	104153
14	Bearing Sleeve (Plastic)	—	(104631)	—
15	Bearing Washer (2) (Black)	104181	104181	104181
16	Wear Washer (O-Orange, W-White) (W)	104696	(W)104696	(O)104184
17	Bearing Nipple	102020	102020	102020
Bearing Assembly (Old TNT Style) (A)				
19	Bearing Spring	100182	—	100182
20	Skirted Top Seal Washer (Black)	100180	—	100180
21	Top Seal Washer (White)	100181	—	100181
22	Bearing Sleeve (A)	—	—	(A)
23	Wearing Ring (T-Ring)(Orange)	(102704)	—	(102704)
24	Bearing Washer (Black)	104181	—	104181
25	Bearing Nipple	100178	—	100178
Bearing Assembly (TNT Replacment)				
18	Bearing Assembly (TNT Replacment)	110949	—	110949
19	Bearing Spring	100182	—	100182
20	Skirted Top Seal Washer (Black)	100180	—	100180
21	Top Seal Washer (White)	100181	—	100181
22	Bearing Sleeve (A)	—	—	(A)
23	Bearing Washer (2) (Black)	104181	—	104181
24	Wear Washer (Orange)	104184	—	104184
25	Bearing Nipple	100178	—	100178

(A) Bearing sleeve not available. Use 110949 Bearing Assembly.
 (B) To be used with 117312 Quick Fit Connector.
 (C) Not available; no replacement

Note: Part numbers enclosed in brackets () are not available individually, but may be sold in assemblies or kits.

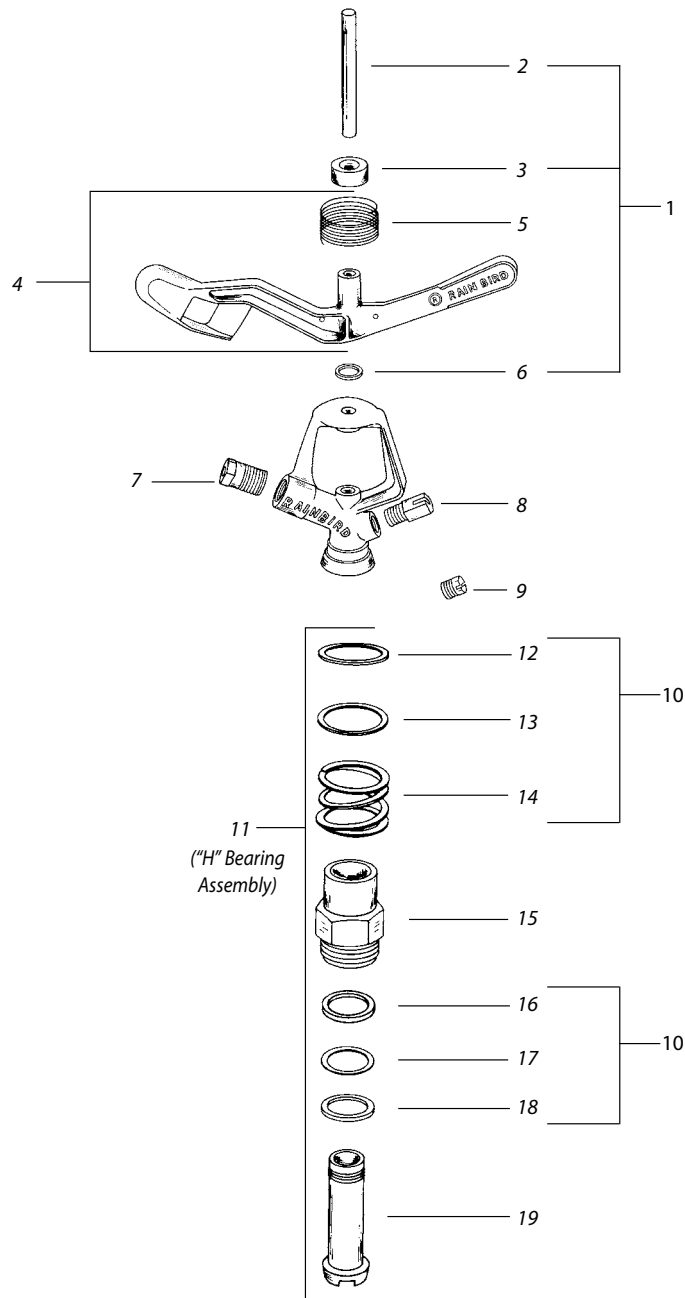
January 1, 2015



Ref.	Part Description	29JH
UPPER ASSEMBLY		
1	Fulcrum Kit	177417
2	Fulcrum Pin	(100271)
3	Arm Hood	(100968)
6	Arm Washer	(100270)
4	Arm Spring Assembly	177526
5	Arm Spring	(231061)
NOZZLES (Specify nozzle size when ordering)		
15	Straight Bore	105842xx
-	Straight Bore/w Vane	106131xx
-	Keyhole	106353xx
BEARING ASSEMBLY (H Style)		
7	Bearing Assembly	104919
8	Top Seal Washer (White)	(100279)
9	Metal Top Seal Washer	(100280)
10	Bearing Spring	(100272)
11	Bearing Sleeve (Brass)	177510
12	Bearing Washer (2) (Black)	(104181)
13	Wear Washer (Orange)	(104184)
14	Bearing Nipple	177516
16	Bearing Washer Kit	179990
8	Top Seal Washer (White)	(100279)
9	Metal Top Seal Washer	(100280)
10	Bearing Spring	(100272)
12	Bearing Washer (2) (Black)	(104181)
13	Wear Washer (Orange)	(104184)

Note: Part numbers enclosed in brackets () are not available individually, but may be sold in assemblies or kits.

January 1, 2015



Note: Part numbers enclosed in brackets () are not available individually, but may be sold in assemblies or kits.

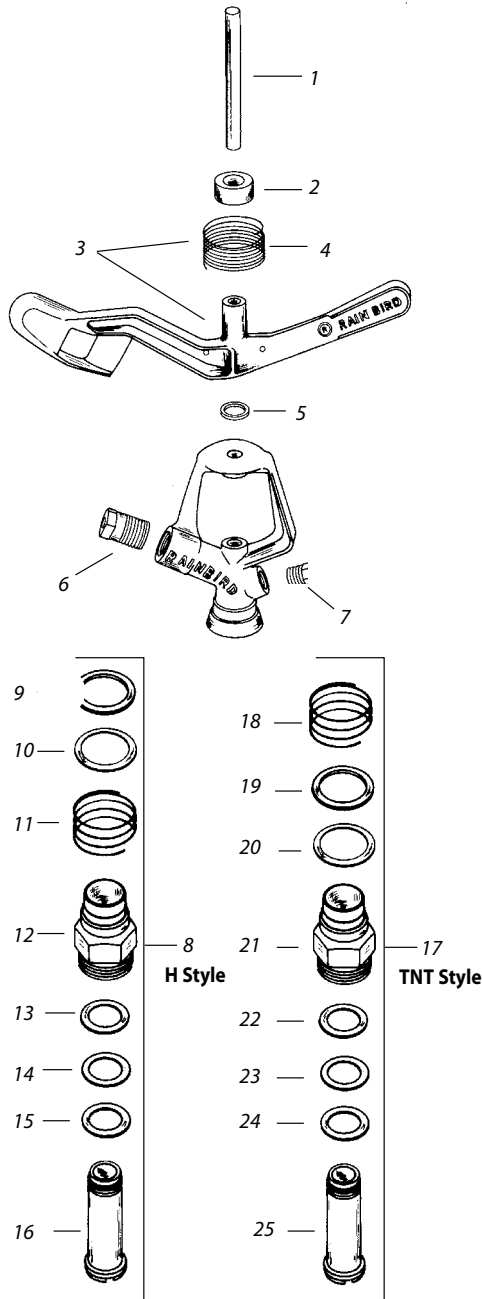
January 1, 2015

Ref.	Part Description	30H 30WH	30PWH	30FH 30FWH
UPPER ASSEMBLY				
1	Fulcrum Kit	177417	177417	177417
2	Fulcrum Pin	(100271)	(100271)	(100271)
3	Arm Hood	(100968)	(100968)	(100968)
6	Arm Washer	(100270)	(100270)	(100270)
4	Arm/Spring Assembly	177529	177530	177529
5	Arm Spring	(231061)	(100358)	(231061)
NOZZLES (Specify nozzle size when ordering)				
7	Drive Nozzles			
-	Straight Bore	105842xx	105842xx	105842xx
-	Straight Bore w/Vane (E Models)	106131xx	106131xx	—
-	Keyhole	106353xx	106353xx	106353xx
-	Spreader Nozzles			
8	Spreader 7 Degree	100225xx	—	—
8	Spreader 20 Degree	100226xx	—	—
9	Spreader Plug (W Models)	100255	—	—
	Vane (E Models Not Pictured)	105816	105816	—
BEARING ASSEMBLY				
11	Bearing Assembly	180712	177425	177425
12	Top Seal Washer (W=Wht/G=Grn) G (103709)	W (100313)	W (100313)	W (100313)
13	Metal Top Seal Washer	(100312)	(100312)	(100312)
14	Bearing Spring	(106237)	(106237)	(106237)
15	Bearing Sleeve	177511	177511	177511
16	Bearing Washer (Black)	(100726)	(100726)	(100726)
17	Wear Washer (White)	(104762)	(104762)	(104762)
18	Seal Washer (Black)	(100726)	(100726)	(100726)
19	Bearing Nipple	177517	177517	177517
10	Bearing Washer Kit	180703	177448	177448
12	Top Seal Washer (W=Wht/G=Grn) G (103709)	W (100313)	W (100313)	W (100313)
13	Metal Top Seal Washer	(100312)	(100312)	(100312)
14	Bearing Spring	(106237)	(106237)	(106237)
16	Bearing Washer (Black)	(100726)	(100726)	(100726)
17	Wear Washer (White)	(104762)	(104762)	(104762)
18	Seal Washer (Black)	(100726)	(100726)	(100726)

Note: Part numbers enclosed in brackets () are not available individually, but may be sold in assemblies or kits.

January 1, 2015

30B TNT / 30BW TNT / 30BH
30BEH / 30BWH / 30BEWH

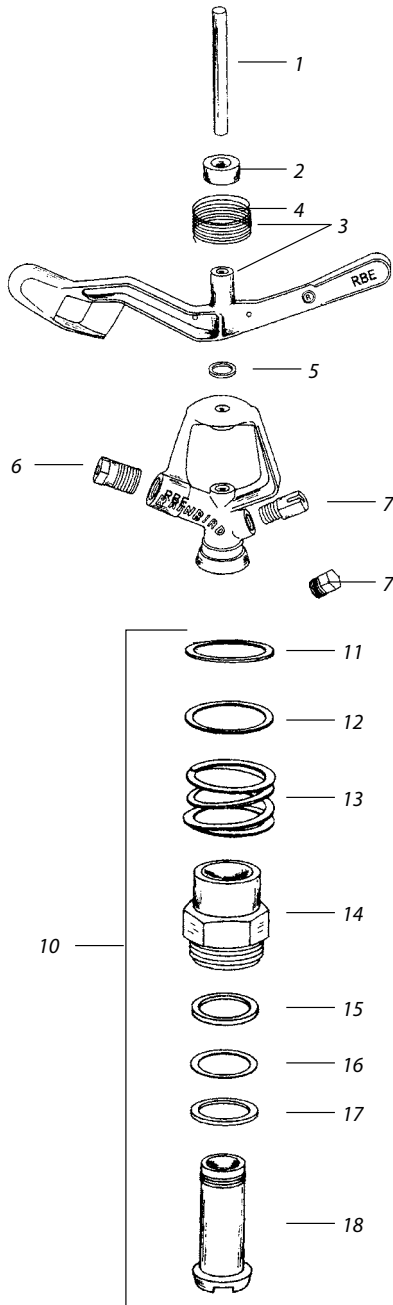


Ref.	Part Description	30B TNT 30BW TNT	30B H 30BE H 30BW H 30BEWH
UPPER ASSEMBLY			
1	Fulcrum Pin	100271	100271
2	Arm Hood	100968	100968
3	Arm Spring Assembly	104236	104236
4	Arm Spring	100305	100305
5	Arm Washer	100270	100270
NOZZLES (Specify nozzle size when ordering)			
6	Straight Bore	105842	105842
-	Straight Bore w/Vane (E Model)	-	106131
-	Keyhole	106353	106353
7	Spreader 7 Degree	100225	100225
7	Spreader 20 Degree	100226	100226
-	Rain Flow	111089	111089
7	Spreader Plug (W Model)	100255	100255
-	Vane (E Model)	105816	105816
BEARING ASSEMBLY			
8	Bearing Assembly (H Style)	104761	104761
9	Top Seal Washer (White)	100313	100313
10	Metal Top Seal Washer	100312	100312
11	Bearing Spring	106237	106237
12	Bearing Sleeve	103670	103670
13	Bearing Washer (Black)	100726	100726
14	Wear Washer (White)	104762	104762
15	Seal Washer (Gray)	102345	102345
16	Bearing Nipple	103669	103669
17	Bearing Assembly (Old TNT Style)	(A)	-
18	Bearing Spring	106237	-
19	Top Seal Washer (White)	100313	-
20	Metal Top Seal Washer	100312	-
21	Bearing Sleeve	(A) (102486)	-
22	Wear Washer (T-Ring)(Orange)	102076	-
23	Bearing Washer (Black)	100726	-
24	Seal Washer (Gray)	102345	-
25	Bearing Nipple	(A) (100316)	-

(A) Not Available. Use Bearing Assembly # 104761. (H Style)

Note: Part numbers enclosed in brackets () are not available individually, but may be sold in assemblies or kits.

January 1, 2015

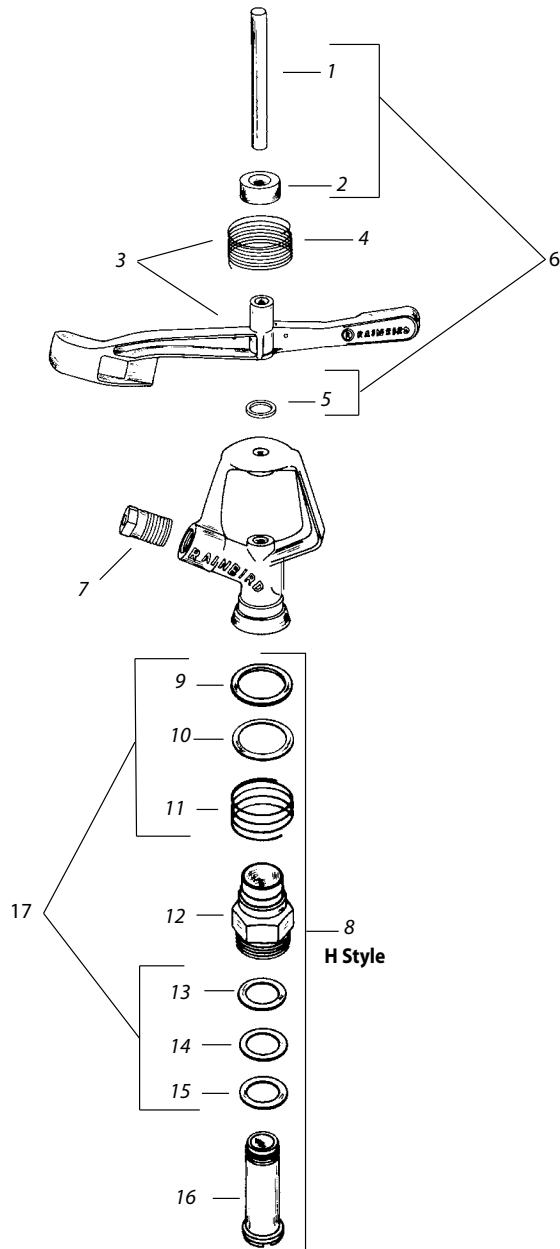


Ref.	Part Description	30IBH 30IEBH
UPPER ASSEMBLY		
1	Fulcrum Pin	100271
2	Arm Hood	100968
3	Arm Spring Assembly	104236
4	Arm Spring	100305
5	Arm Washer	100270
NOZZLES (Specify nozzle size when ordering)		
6	Straight Bore w/Vane	106131
7	Spreader 7 Degree	100225
7	Spreader 20 Degree	100226
7	Spreader Plug (W Model)	100255
BEARING ASSEMBLY		
10	Bearing Assembly (Standard H Style)	104152
11	Top Seal Washer	103709
12	Metal Top Seal Washer	100312
13	Bearing Spring	106237
14	Bearing Sleeve	103670
15	Bearing Washer (Black)	100726
16	Wear Washer (T-Ring) (Orange)	103058
17	Seal Washer (Gray)	102345
18	Bearing Nipple	103669

Consult current Agricultural Equipment Price List.

Note: Part numbers enclosed in brackets () are not available individually, but may be sold in assemblies or kits.

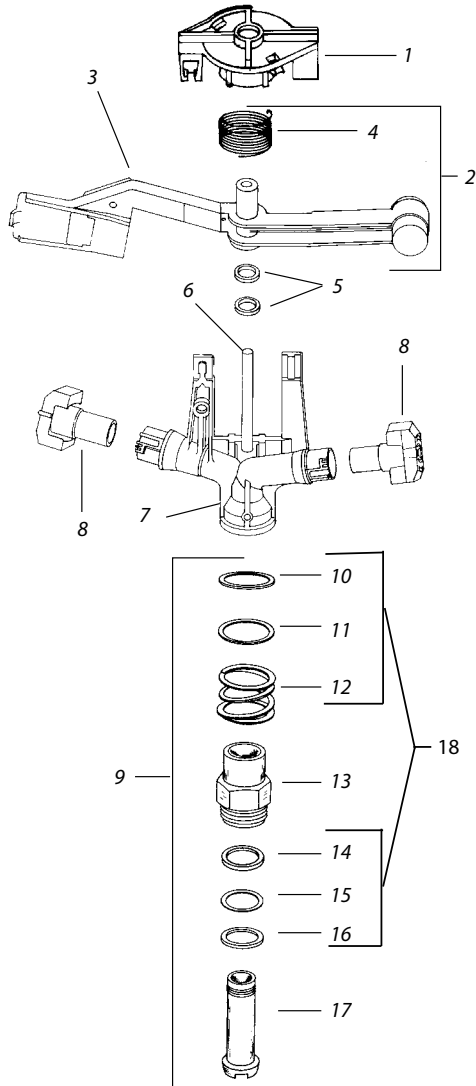
January 1, 2015



Ref.	Part Description	L3030H
UPPER ASSEMBLY		
6	Fulcrum Kit	177419
1	Fulcrum Pin	(100271)
2	Arm Hood	(100968)
5	Arm Washer	(100270)
3	Arm Spring Assembly	177528
4	Arm Spring	(231061)
NOZZLES (Specify nozzle size when ordering)		
7	Straight Bore	105842xx
-	Plug	100289
BEARING ASSEMBLY		
8	Bearing Assembly	177424
9	Top Seal Washer (Green)	(103709)
10	Metal Top Seal Washer	(100312)
11	Bearing Spring	(106237)
12	Bearing Sleeve	177511
13	Bearing Washer (Black)	(100726)
14	Wear Washer (Orange)	(103058)
15	Seal Washer (Gray)	(102345)
16	Bearing Nipple	177517
17	Bearing Washer Kit	177447
9	Top Seal Washer (Green)	(103709)
10	Metal Top Seal Washer	(100312)
11	Bearing Spring	(106237)
13	Bearing Washer (Black)	(100726)
14	Wear Washer (Orange)	(103058)
15	Seal Washer (Gray)	(102345)

Note: Part numbers enclosed in brackets () are not available individually, but may be sold in assemblies or kits.

January 1, 2015

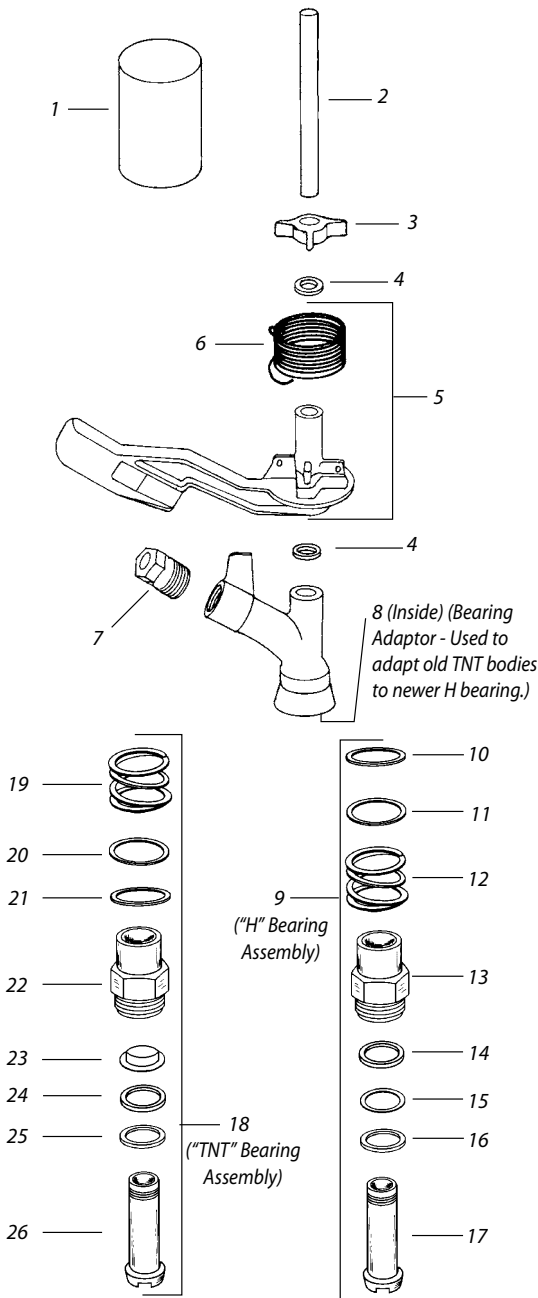


Ref.	Part Description	L36H	L36AH
UPPER ASSEMBLY			
1	Body Cap	NA	NA
2	Arm Spring Assy	(177527)	(177449)
3	Arm	(115063)	(112236)
4	Arm Spring	(114472)	(114472)
5	Arm Washer	(100270)	(100270)
6	Fulcrum Pin	(110726)	(110726)
7	Body	NA	NA
NOZZLES (Specify nozzle size when ordering)			
8	Straight Bore, Quick Fit	107881xx	107881xx
8	Low Pressure, Quick Fit	109247xx	109247xx
BEARING ASSEMBLY			
9	Bearing Assembly	177424	177425
10	Top Seal Washer	(Gr) (103709)	(W) (100313)
11	Metal Top Seal Washer	(100312)	(100312)
12	Bearing Spring	(106237)	(106237)
13	Bearing Sleeve	177511	177511
14	Bearing Washer	(B) (100726)	(B) (100726)
15	Wear Washer	(O) (103058)	(O) (104762)
16	Seal or Brg Washer	(G) (102345)	(B) (100726)
17	Bearing Nipple	177517	177517
18	Bearing Washer Kit	177447	177448
10	Top Seal Washer	(Gr) (103709)	(W) (100313)
11	Metal Top Seal Washer	(100312)	(100312)
12	Bearing Spring	(106237)	(106237)
14	Bearing Washer	(B) (100726)	(B) (100726)
15	Wear Washer	(O) (103058)	(O) (104762)
16	Seal or Brg Washer	(G) (102345)	(B) (100726)

Bearing washer color code: W = White, Gr = Dark Green, B = Black, O = Orange, G = Grey*
 NOTE: Old style L36 has a plastic bearing nipple, while new style L36 has a brass bearing nipple.

Note: Part numbers enclosed in brackets () are not available individually, but may be sold in assemblies or kits.

January 1, 2015

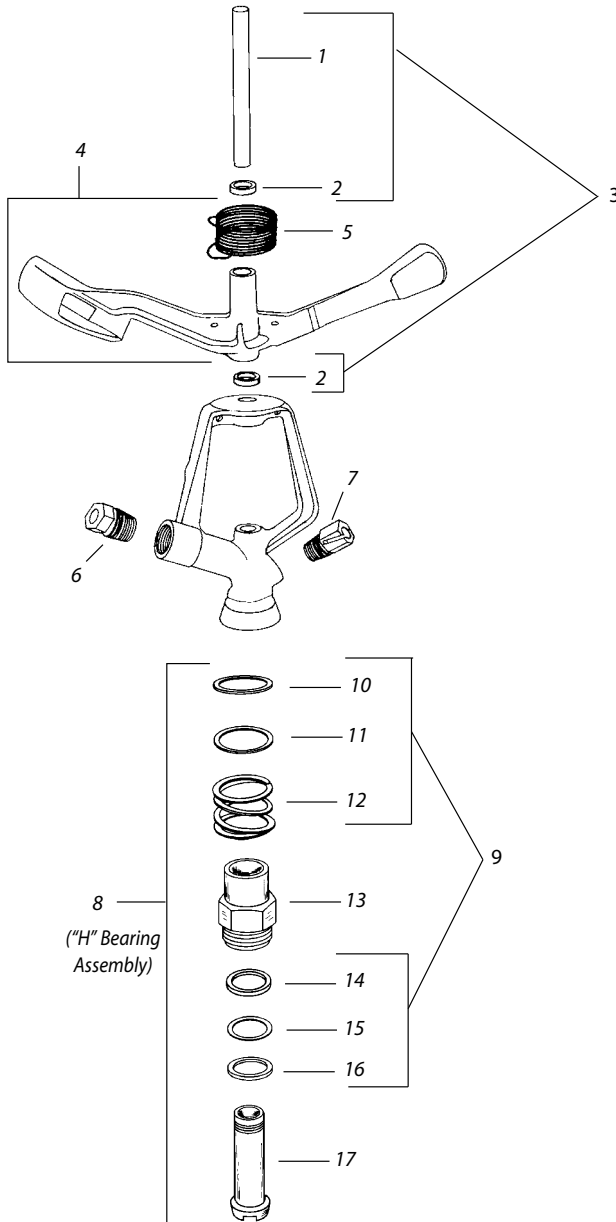


Ref.	Part Description	40FC H	40FC TNT
UPPER ASSEMBLY			
1	Protective Cover	(102632)	(102632)
2	Fulcrum Pin	(106489)	(106489)
3	Spring Guide	(103154)	(103154)
4	Arm Washer (2)	100163	100163
5	Arm Spring Assembly	(102809)	(102809)
6	Arm Spring	100349	100349
NOZZLES (Specify nozzle size when ordering)			
7	Straight Bore w/Vane	106131	106131
-	Straight Bore	105842	105842
-	Vane	105816	105816
BEARING ASSEMBLY			
-	Bearing Conversion Kit	—	110048
8	Bearing Adaptor	—	110030
9	Bearing Assembly (H Style)	104152	104152
10	Top Seal Washer (Green)	103709	103709
11	Metal Top Seal Washer	100312	100312
12	Bearing Spring	106237	106237
13	Bearing Sleeve	103670	103670
14	Bearing Washer (Black)	100726	100726
15	Wear Washer (Orange)	103058	103058
16	Seal Washer (Gray)	102345	102345
17	Bearing Nipple	103669	103669
BEARING ASSEMBLY (Old TNT Style)			
18	Bearing Assembly (Old TNT Style)	—	100272
19	Bearing Spring	—	100297
20	Skirted Top Seal Washer (Black)	—	100298
21	Top Seal Washer (White)	—	(A)
22	Bearing Sleeve	—	102076
23	Wear Washer (T-Ring) (Orange)	—	100726
24	Bearing Washer (Black)	—	102345
25	Seal Washer (Gray)	—	100302
26	Bearing Nipple	—	100272
BEARING ASSEMBLY (Old STANDARD Style)			
19	Bearing Spring	—	(A)(100294)
22	Bearing Sleeve	—	100156
25	Bearing Washer (Fiber)	—	(A)(100295)
26	Bearing Nipple	—	

(A) Not available. Use Bearing Conversion Kit #110048.

Note: Part numbers enclosed in brackets () are not available individually, but may be sold in assemblies or kits.

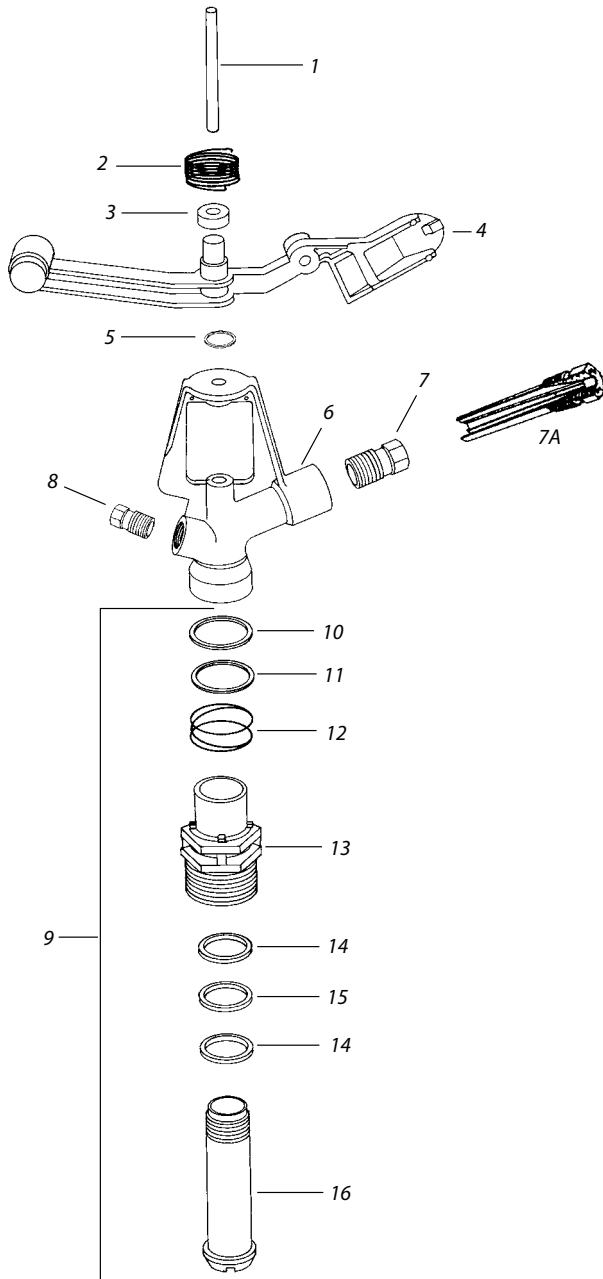
January 1, 2015



Ref.	Part Description	14070H
UPPER ASSEMBLY		
3	Fulcrum Kit	177420
1	Fulcrum Pin	(100348)
2	Arm Washers (2)	(100163)
4	Arm Spring Assembly	177531
5	Arm Spring	(100349)
NOZZLES (Specify nozzle size when ordering)		
6	Straight Bore	105842xx
6	Straight Bore W/ Vane	106131xx
-	Vane	105816
7	Spreader 7 Degree	100225xx
7	Spreader 20 Degree	100226xx
7	Brass Plug (W Models)	100255
BEARING ASSEMBLY		
8	Bearing Assy (H Style)	177424
10	Top Seal Washer (Grn)	(103709)
11	Metal Top Seal Washer	(100312)
12	Bearing Spring	(106237)
13	Bearing Sleeve	177510
14	Bearing Washer (Black)	(100726)
15	Wear Washer (Orange)	(103058)
16	Seal Washer (Gray)	(102345)
17	Bearing Nipple	177517
9	Bearing Washer Kit	177447
10	Top Seal Washer (Grn)	(103709)
11	Metal Top Seal Washer	(100312)
12	Bearing Spring	(106237)
14	Bearing Washer (Black)	(100726)
15	Wear Washer (Orange)	(103058)
16	Seal Washer (Gray)	(102345)

Note: Part numbers enclosed in brackets () are not available individually, but may be sold in assemblies or kits.

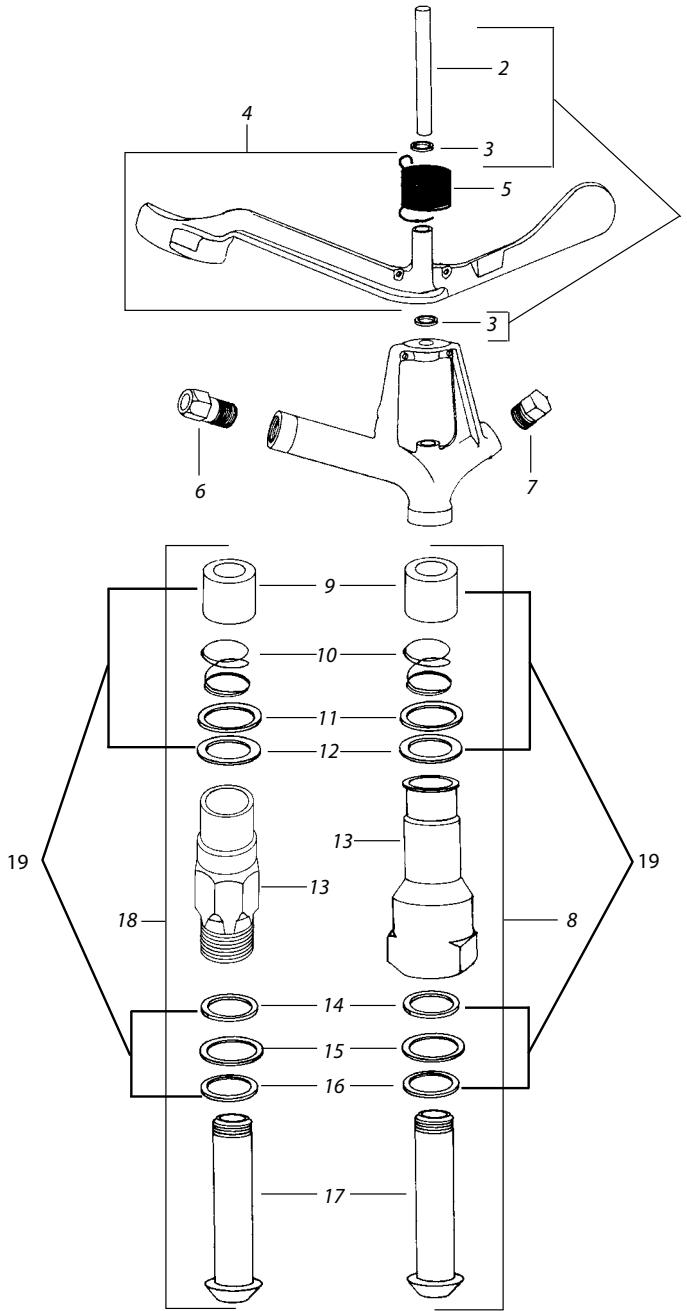
January 1, 2015



Ref.	Part Description	46H 46WH 46H Plus	46AH 46AWH
UPPER ASSEMBLY			
1	Fulcrum Pin	(101157)	(101157)
2	Arm Spring	(100305)	(100305)
3	46H Arm Hood	(181041)	(181041)
4	Arm	(100353)	(102560)
5	Arm Washer	(100270)	(100270)
6	Body	(105871)	(105871)
NOZZLES (Specify nozzle size when ordering)			
7	Drive Nozzles		
-	Straight Bore w/Vane	106131xx	106131xx
-	Nozzle	105842xx	105842xx
7A	Plastic Straight Bore w/Vane	71-P00002x	71-P00002xx
8	Spreader Nozzles		
-	Spreader 7 Degree	100225xx	100225xx
-	Spreader 20 Degree	100226xx	100226xx
-	Spreader Plug (W Models)	100255	100255
-	Plastic Plug	71-P00001	71-P00001
BEARING ASSEMBLY			
9	Bearing Assembly	(105833-01)	(105833-01)
10	Top Seal Washer (White)	(100313)	(100313)
11	Metal Top Seal Washer	(100312)	(100312)
12	Bearing Spring	(106237)	(106237)
13	Bearing Sleeve	(105832)	(105832)
14	Bearing Washer (Black) (2)	(100726)	(100726)
15	Wear Washer (White)	(104762)	(104762)
16	Bearing Nipple	(105831)	(105831)

Note: Part numbers enclosed in brackets () are not available individually, but may be sold in assemblies or kits.

January 1, 2015



Ref. Part Description 70CH / 70CHM

UPPER ASSEMBLY

1	Fulcrum Kit	177420
2	Fulcrum Pin	(100348)
3	Arm Washer (2)	(100163)
4	Arm Spring Assembly	177532
5	Arm Spring	(100369)

NOZZLES (Specify nozzle size when ordering)

6	Straight Bore	100382xx
7	Plug	100417
-	Bushing (3/8" MNPT x 1/8" FNPT)	100418
-	20 Degree Spreader Nozzle	100226-08
-	Body Vane (Not Shown)	100695

BEARING ASSEMBLY

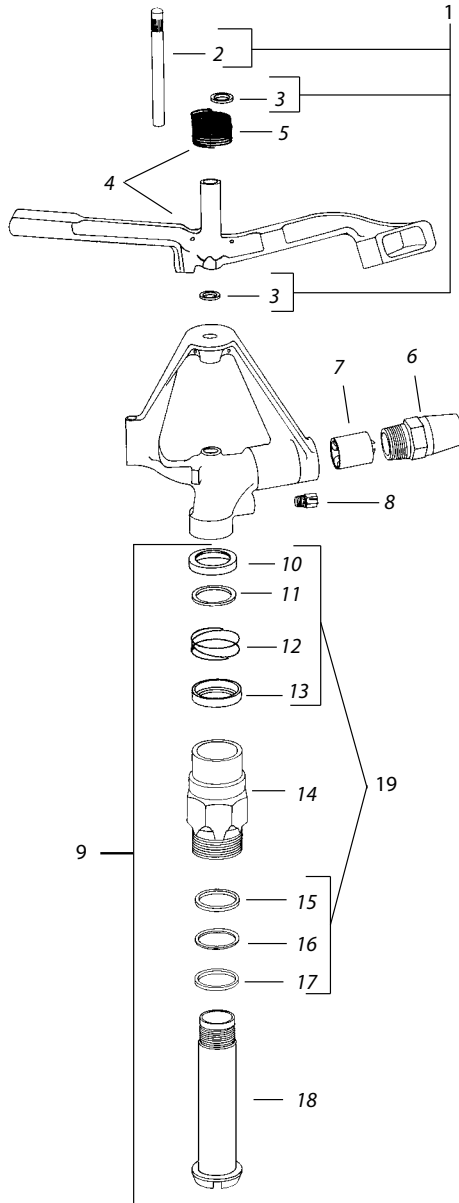
8	Bearing Assy (Female H Style)(NPT Assy)	177514
9	Bearing Hood	(103119)
10	Bearing Spring	(100620)
11	Metal Top Seal Washer	(100312)
12	Top Seal Washer (White)	(103115)
13	Bearing Sleeve (FNPT)	231071
14	Bearing Washer (Black)	(104038)
15	Wear Washer (Orange)	(104037)
16	Bearing Washer (Black)	(104038)
17	Bearing Nipple	177518
19	Bearing Washer Kit	177426

8	Bearing Assy (Male H Style)(NPT Assy)	177512
9	Bearing Hood	(103119)
10	Bearing Spring	(100620)
11	Metal Top Seal Washer	(100312)
12	Top Seal Washer (White)	(103115)
13	Bearing Sleeve (MNPT)	108725
14	Bearing Washer (Black)	(104038)
15	Wear Washer (Orange)	(104037)
16	Bearing Washer (Black)	(104038)
17	Bearing Nipple	177518
19	Bearing Washer Kit	177426

8	Bearing Assy (Female BSP Style)	177513
9	Bearing Hood	(103119)
10	Bearing Spring	(100620)
11	Metal Top Seal Washer	(100312)
12	Top Seal Washer (Black)	(103115)
13	Bearing Sleeve (FBSP)	231070
14	Bearing Washer (Black)	(104038)
15	Wear Washer (Orange)	(104037)
16	Bearing Washer (Black)	(104038)
17	Bearing Nipple	177518
19	Bearing Washer Kit	177426

Note: Part numbers enclosed in brackets () are not available individually, but may be sold in assemblies or kits.

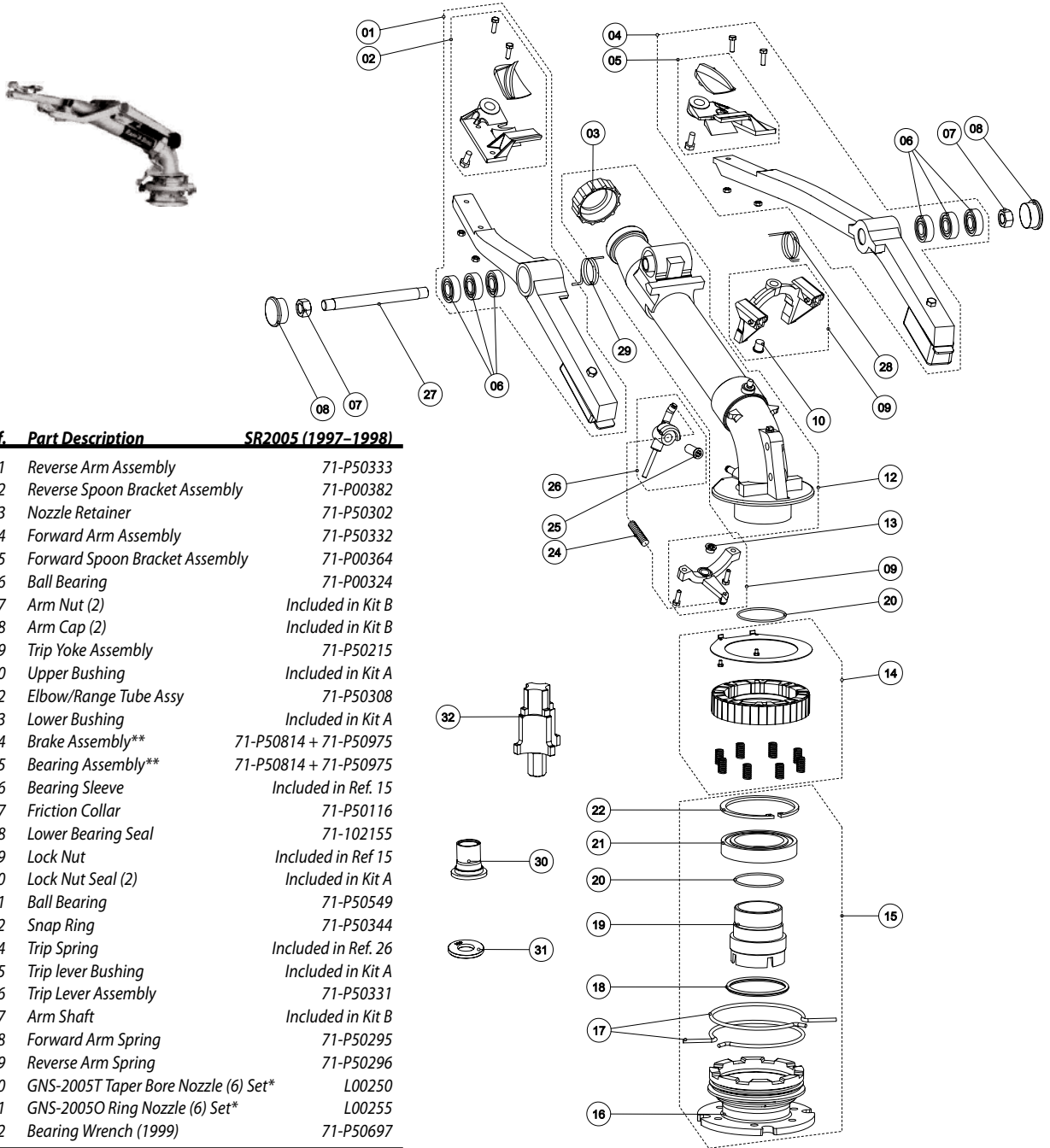
January 1, 2015



Ref.	Part Description	80EHD	80EHD-LA	80EHD-BSP
UPPER ASSEMBLY				
1	Fulcrum Kit	177421	177421	177421
2	Fulcrum Pin	(100430)	(100430)	(100430)
3	Arm Washer (2)	(100432)	(100432)	(100432)
4	Arm Spring Assembly	177533	177533	177533
5	Arm Spring	(100431)	(100431)	(100431)
NOZZLES (Specify nozzle size when ordering)				
6	Range Nozzle	103043xx	103043xx	103043xx
7	Nozzle Vane	101275	101275	101275
8	Spreader 20 Degree	100226-14	—	100226-14
-	Plug	100255	—	100255
BEARING ASSEMBLY				
9	Bearing Assembly (H Style)	177427	177427	118039
10	Top Seal Washer, Upper (Black)	(113100)	(113100)	(113100)
11	Hood Bearing	(113098)	(113098)	(113098)
12	Bearing Spring	(100449)	(100449)	(100449)
13	Top Seal Washer, Lower (Black)	(113309)	(113309)	(113309)
14	Bearing Sleeve	177515	177515	177467
15	Bearing Washer (Black)	(113099)	(113099)	(113099)
16	Wear Washer (Orange)	(104639)	(104639)	(104639)
17	Bearing Washer, Seal (Black)	(104638)	(104638)	(104638)
18	Bearing Nipple	177506	177506	177506
19	Bearing Washer Kit	177474	177474	177474
10	Top Seal Washer, Upper (Black)	(113100)	(113100)	(113100)
11	Hood Bearing	(113098)	(113098)	(113098)
12	Bearing Spring	(100449)	(100449)	(100449)
13	Top Seal Washer, Lower (Black)	(113309)	(113309)	(113309)
15	Bearing Washer (Black)	(113099)	(113099)	(113099)
16	Wear Washer (Orange)	(104639)	(104639)	(104639)
17	Bearing Washer, Seal (Black)	(104638)	(104638)	(104638)

Note: Part numbers enclosed in brackets () are not available individually, but may be sold in assemblies or kits.

January 1, 2015



Ref. Part Description SR2005 (1997-1998)

01	Reverse Arm Assembly	71-P50333
02	Reverse Spoon Bracket Assembly	71-P00382
03	Nozzle Retainer	71-P50302
04	Forward Arm Assembly	71-P50332
05	Forward Spoon Bracket Assembly	71-P00364
06	Ball Bearing	71-P00324
07	Arm Nut (2)	Included in Kit B
08	Arm Cap (2)	Included in Kit B
09	Trip Yoke Assembly	71-P50215
10	Upper Bushing	Included in Kit A
12	Elbow/Range Tube Assy	71-P50308
13	Lower Bushing	Included in Kit A
14	Brake Assembly**	71-P50814 + 71-P50975
15	Bearing Assembly**	71-P50814 + 71-P50975
16	Bearing Sleeve	Included in Ref. 15
17	Friction Collar	71-P50116
18	Lower Bearing Seal	71-102155
19	Lock Nut	Included in Ref 15
20	Lock Nut Seal (2)	Included in Kit A
21	Ball Bearing	71-P50549
22	Snap Ring	71-P50344
24	Trip Spring	Included in Ref. 26
25	Trip lever Bushing	Included in Kit A
26	Trip Lever Assembly	71-P50331
27	Arm Shaft	Included in Kit B
28	Forward Arm Spring	71-P50295
29	Reverse Arm Spring	71-P50296
30	GNS-2005T Taper Bore Nozzle (6) Set*	L00250
31	GNS-2005O Ring Nozzle (6) Set*	L00255
32	Bearing Wrench (1999)	71-P50697

SPARE PART KITS

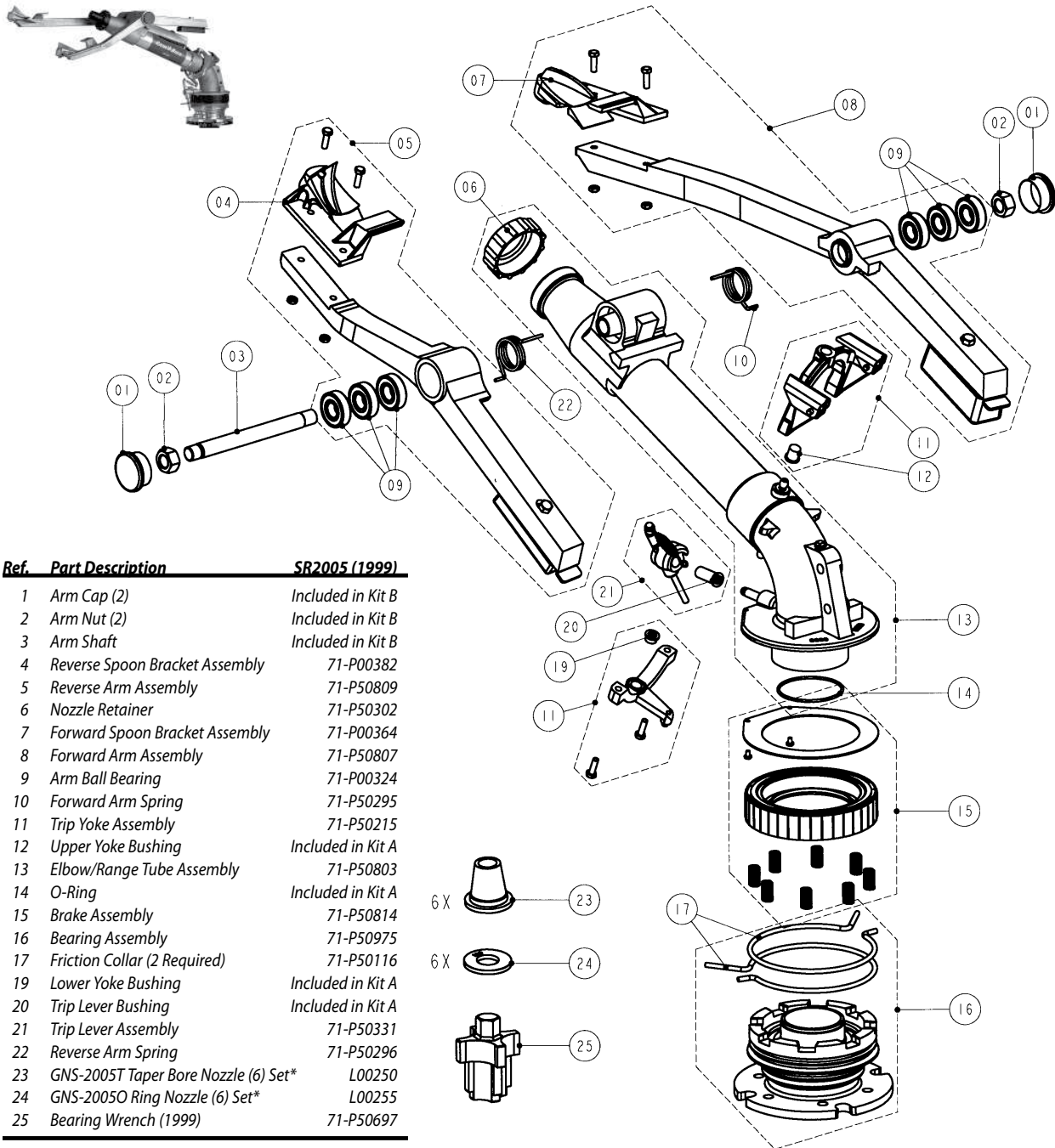
A	Maintenance Kit	71-P50364
B	Arm Shaft Kit	71-P50365

* Consult current Agricultural Equipment Price List

** Both Parts Must Be Ordered to Replace the Original part.

Note: Part numbers enclosed in brackets () are not available individually, but may be sold in assemblies or kits.

January 1, 2015



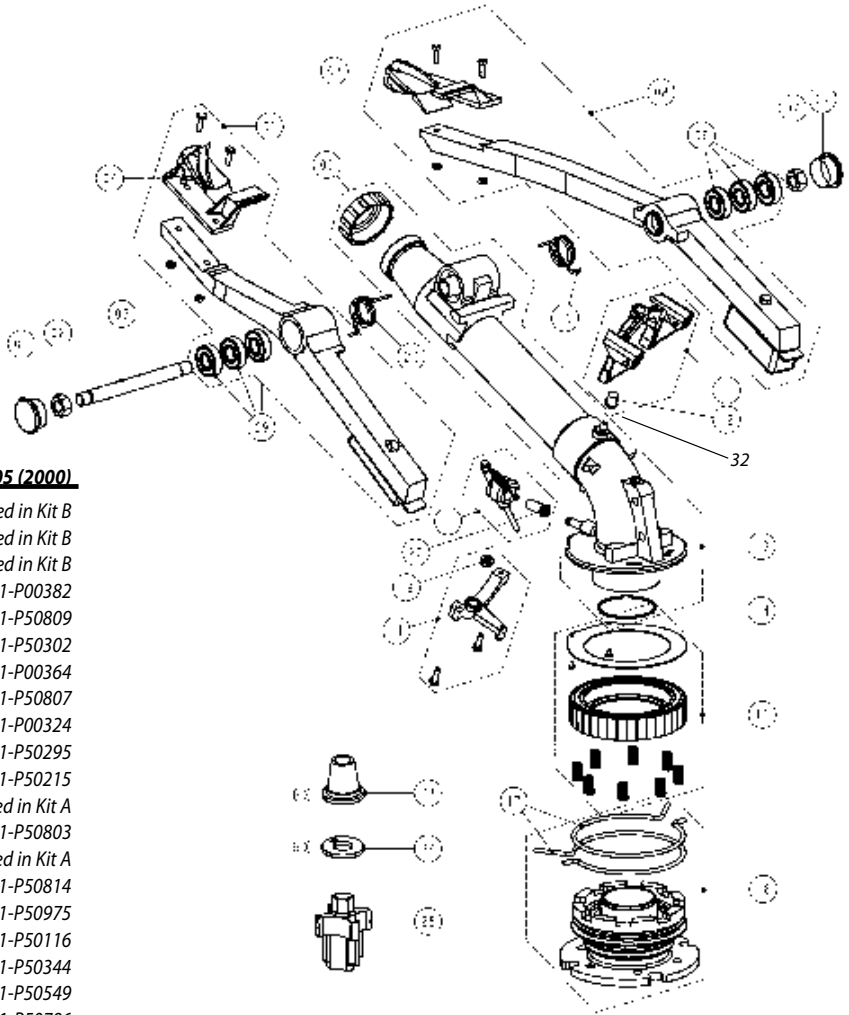
Ref.	Part Description	SR2005 (1999)
1	Arm Cap (2)	Included in Kit B
2	Arm Nut (2)	Included in Kit B
3	Arm Shaft	Included in Kit B
4	Reverse Spoon Bracket Assembly	71-P00382
5	Reverse Arm Assembly	71-P50809
6	Nozzle Retainer	71-P50302
7	Forward Spoon Bracket Assembly	71-P00364
8	Forward Arm Assembly	71-P50807
9	Arm Ball Bearing	71-P00324
10	Forward Arm Spring	71-P50295
11	Trip Yoke Assembly	71-P50215
12	Upper Yoke Bushing	Included in Kit A
13	Elbow/Range Tube Assembly	71-P50803
14	O-Ring	Included in Kit A
15	Brake Assembly	71-P50814
16	Bearing Assembly	71-P50975
17	Friction Collar (2 Required)	71-P50116
19	Lower Yoke Bushing	Included in Kit A
20	Trip Lever Bushing	Included in Kit A
21	Trip Lever Assembly	71-P50331
22	Reverse Arm Spring	71-P50296
23	GNS-2005T Taper Bore Nozzle (6) Set*	L00250
24	GNS-2005O Ring Nozzle (6) Set*	L00255
25	Bearing Wrench (1999)	71-P50697

SPARE PART KITS		
A	Maintenance Kit	71-P50364
B	Arm Shaft Kit	71-P50365

* Consult current Agricultural Equipment Price List

Note: Part numbers enclosed in brackets () are not available individually, but may be sold in assemblies or kits.

January 1, 2015



Ref. Part Description SR2005 (2000)

01	Arm Cap (2)	Included in Kit B
02	Arm Nut (2)	Included in Kit B
03	Arm Shaft	Included in Kit B
04	Reverse Spoon Bracket Assembly	71-P00382
05	Reverse Arm Assembly	71-P50809
06	Nozzle Retainer	71-P50302
07	Forward Spoon Bracket Assembly	71-P00364
08	Forward Arm Assembly	71-P50807
09	Arm Ball Bearing	71-P00324
10	Forward Arm Spring	71-P50295
11	Trip Yok Assembly	71-P50215
12	Upper Yoke Bushing	Included in Kit A
13	Elbow/Range Tube Assembly	71-P50803
14	O-Ring (2 required)	Included in Kit A
15	Brake Assembly	71-P50814
16	Bearing Assembly	71-P50975
17	Friction Collar (2 required)	71-P50116
18	Snap Ring	71-P50344
19	Ball bearing	71-P50549
20	Lock Nut	71-P50796
21	O-Ring	71-102155
22	Bearing Sleeve	71-P50795
23	Lower Yoke Bushing	Included in Kit A
24	Trip Lever Bushing	Included in Kit A
25	Trip Lever Assembly	71-P50331
26	Reverse Arm Spring	71-P50296
27	GNS-2005T Taper Nozzle (6) Set*	L00250
28	GNS-2005O Ring Nozzle (6) Set*	L00255
32	Pressure Port Plug	71-P20006

ACCESSORIES

29	Bearing Wrench	71-P50697
30	Riser installation Kit	71-P00368
31	Rear Counterweight*	L00260

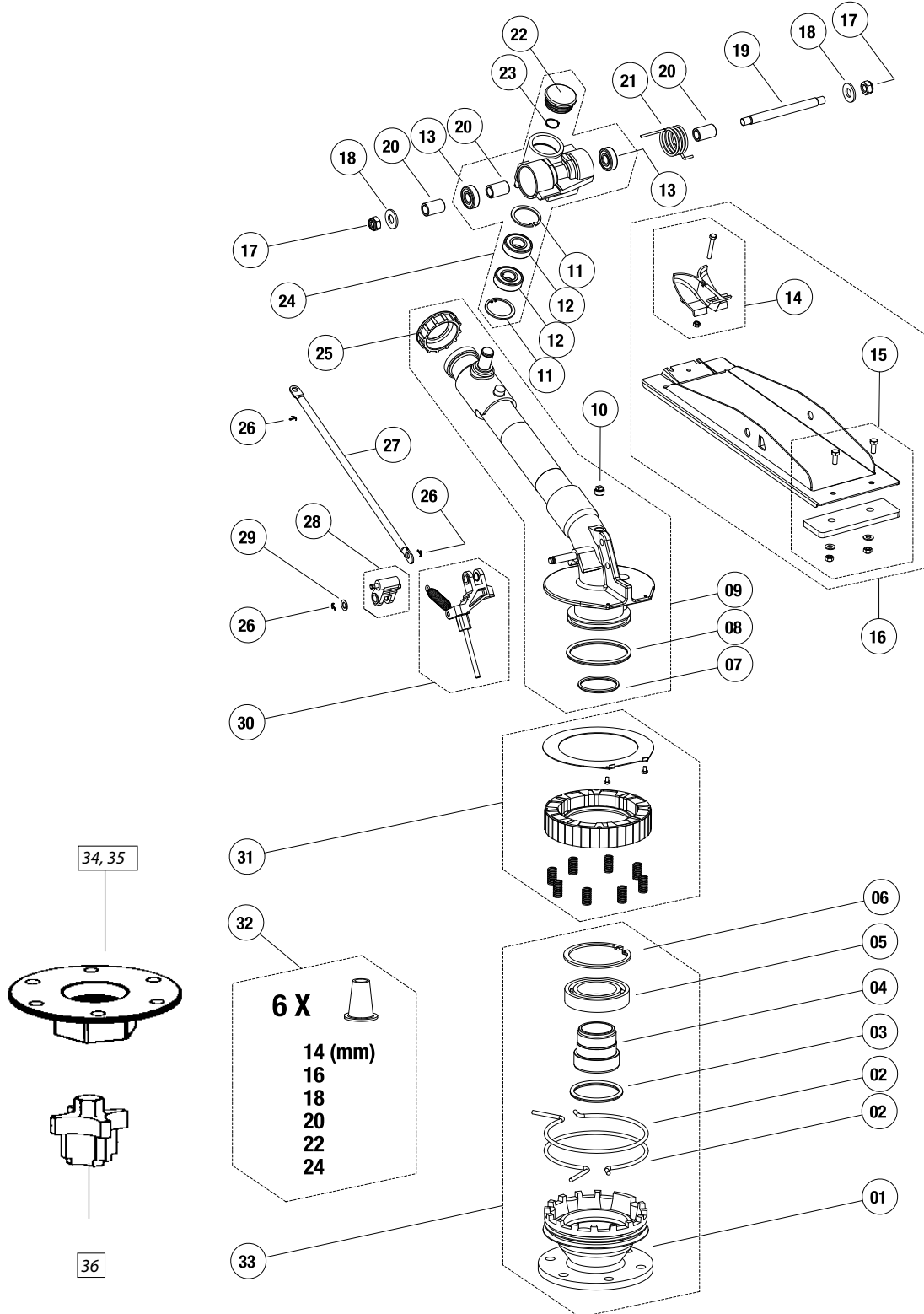
SPARE PART KITS

A	Maintenance Kit	71-P50364
B	Arm Shaft Kit	71-P50365

* Consult current Agricultural Equipment Price List.

Note: Part numbers enclosed in brackets () are not available individually, but may be sold in assemblies or kits.

January 1, 2015



Note: Part numbers enclosed in brackets () are not available individually, but may be sold in assemblies or kits.

January 1, 2015

Ref.	Part Description	SR3003 (1997-1998)
01	Bearing Sleeve***	71-P50824 + 71-P51176 + 71-P50976
02	Friction Collar (2 required)	71-P50116
03	Lower Bearing O-Ring Seal	71-P50121
04	Lock Nut***	71-P50824 + 71-P51176 + 71-P50976
05	Ball Bearing	71-P50544
06	Snap Ring	71-P50463
07	Lock Nut O-Ring Seal	71-P50155
08	Upper Bearing O-Ring Seal	71-P50464
09	Elbow/Range Tube Assembly***	71-P50976 + 71-P51176 + 71-P50471
11	Pivot Snap Ring (2 required)	Included in Ref. 24
12	Pivot Ball Bearing (2 required)	Included in Ref. 24
13	Arm Ball Bearing (2 required)	Included in Ref. 24
14	Spoon Kit	71-P50824
16	Arm Assembly/Counterweight	71-P50472
17	Arm Nut (2 required)	Included in Kit C
18	Arm Washer (2 required)	Included in Kit C
19	Arm Shaft	Included in Kit C
20	Spacer (3 required)	71-P50420
21	Arm Spring***	71-P50706 + 71-P50826 + 71-P50812
22	Pivot Cap	71-P50336
23	Snap Ring	71-P00358
24	Pivot Assembly	71-P50826
25	Nozzle Retainer	71-105943
26	Cotter Pin (3 required)	Included in Kit B
27	Trip Rod	71-P50478
28	Trip Link Assembly	71-P50539
29	Elbow Shaft Washer	Included in Kit B
30	Trip Lever Assembly	71-P50538
31	Brake Kit***	71-P50824 + 71-P51176 + 71-P50976
32	GNS-3003T Nozzle Set*	L003003
33	Bearing Assembly***	71-P50824 + 71-P51176 + 71-P50976
ACCESSORIES		
34	2" Female BSP Adapter**	71-P50545
35	2" Female NPT Adapter**	71-P50596
36	Bearing Wrench (1999)	71-P50697
SPARE PART KITS		
B	Misc. Kit	71-P50590
C	Arm Shaft Kit	71-P50591



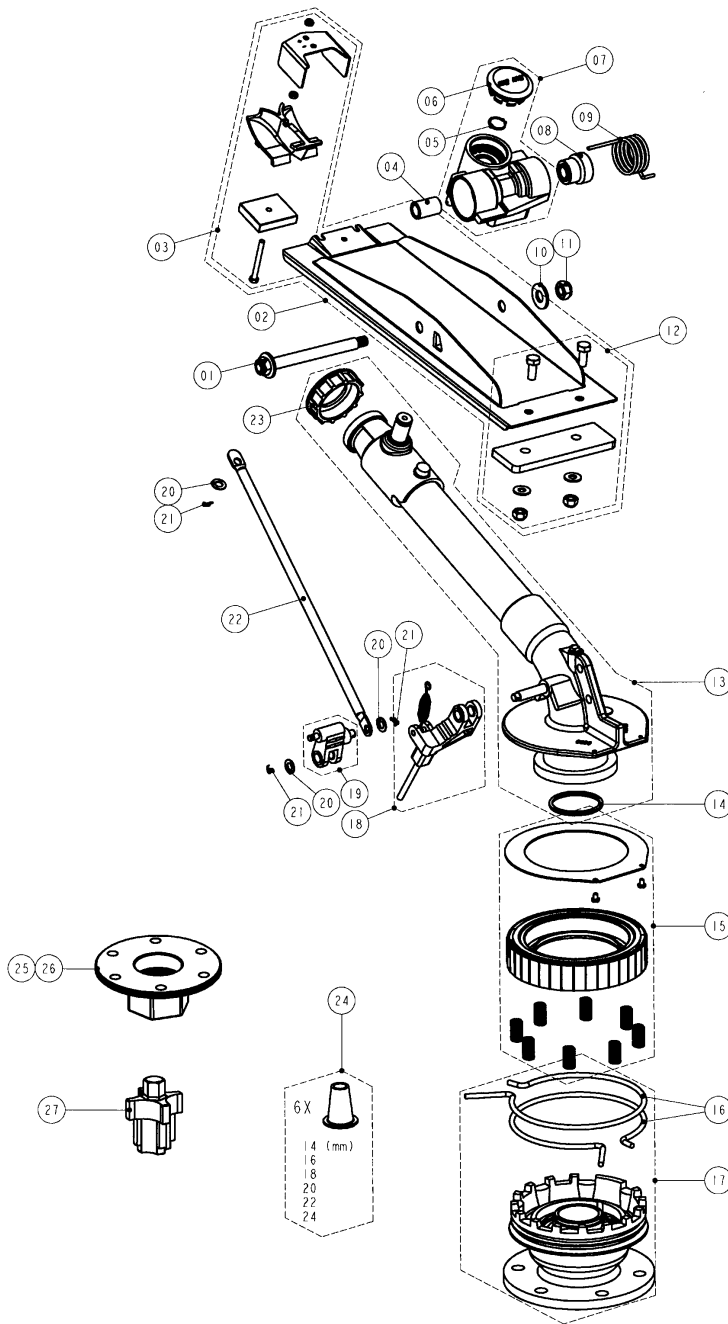
* Consult current Agricultural Equipment Price List

** Consult Rain Bird for Pricing information

*** All 3 parts Must Be Ordered to Replace the Original Part.

Note: Part numbers enclosed in brackets () are not available individually, but may be sold in assemblies or kits.

January 1, 2015



Ref.	Part Description	SR3003 (1999)
01	Arm Shaft Assembly	Included in Kit C
02	Arm Assembly/Counterweight	71-P50472
03	Spoon Assembly	71-P50824
04	Spacer	71-P50420
05	Snap Ring	71-P00358
06	Pivot Cap Assembly	71-P50825
07	Pivot Assembly	71-P50826
08	Spring Spacer	71-P50706
09	Arm Spring	71-P50812
10	Arm Washer	Included in Kit C
11	Arm Locknut	Included in Kit C
12	Counterweight Kit	71-P50827
13	Elbow/Range Tube Assembly	71-P50471
14	O-Ring	71-P50155
15	Brake Assembly	71-P51176
16	Friction Collar (2 required)	71-P50116
17	Bearing Assembly	71-P50976
18	Trip Lever Assembly	71-P50538
19	Trip Link Assembly	71-P50539
20	Elbow Shaft Washer (3 required)	Included in Kit B
21	Cotter Pin (3 required)	Included in Kit B
22	Trip Rod	71-P50478
23	Nozzle Retainer	71-105943
24	GNS-3003T Nozzle Set*	L003003

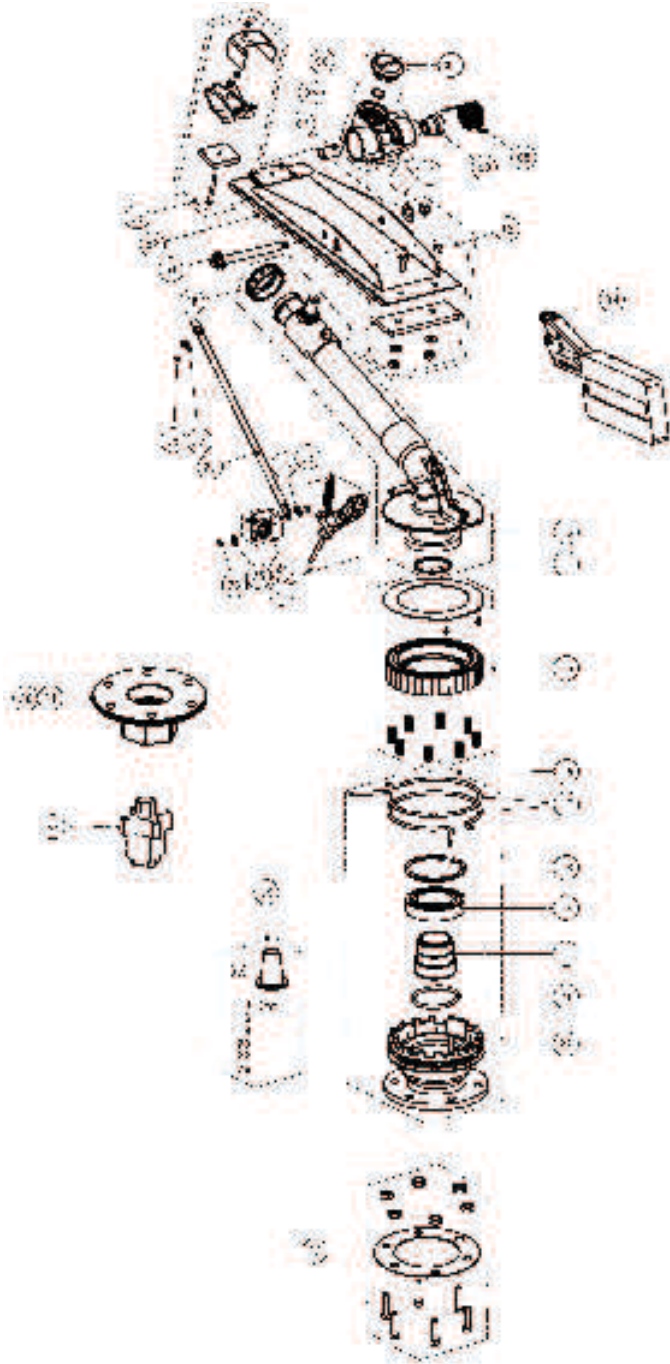
ACCESSORIES		
25	2" Female BSP Adapter**	71-P50545
26	2" Female NPT Adapter**	71-P50596
27	Bearing Wrench (1999)	71-P50697

SPARE PART KITS		
B	Misc. Kit	71-P50590
C	Arm Shaft Kit	71-P50591

* Consult current Agricultural Equipment Price List
** Consult Rain Bird for Pricing information

Note: Part numbers enclosed in brackets () are not available individually, but may be sold in assemblies or kits.

January 1, 2015

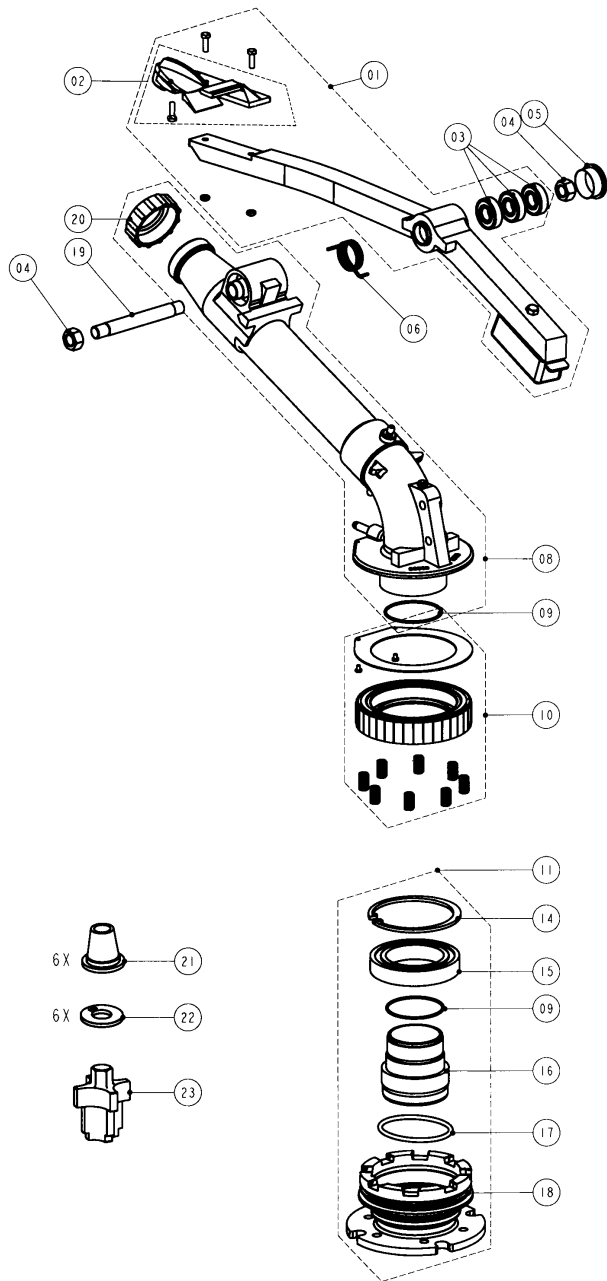


Ref.	Part Description	SR3003 (2000)
01	Arm Shaft Assembly	Included in Kit B
02	Arm Assembly/Counterweight	71-P50472
03	Spoon Assembly	71-P50824
04	Spacer	71-P50420
05	Snap Ring	71-P00358
06	Pivot Cap Assembly	71-P50825
07	Pivot Assembly	71-P50826
08	Arm Spring	71-P50812
09	Spring Spacer	71-P50706
10	Arm Locknut	Included in Kit B
11	Arm Washer	Included in Kit B
12	Counterweight Kit	71-P50827
13	Elbow/Range Tube Assembly	71-P50471
14	O-Ring	71-P50155
15	Brake Assembly	71-P51176
16	Bearing Assembly	71-P50976
17	Friction Collar (2 required)	71-P50116
18	Snap Ring	71-P50463
19	Ball bearing	71-P50544
20	Lock Nut	71-P50793
21	O-Ring	71-P50121
22	Bearing Sleeve	71-P50794
23	Trip Lever Assembly	71-P50538
24	Trip Link Assembly	71-P50539
25	Elbow Shaft Washer (3 required)	Included in Kit A
26	Cotter Pin (3 required)	Included in Kit A
27	Trip Rod	71-P50478
28	Nozzle retainer	71-105943
29	GNS-3003T Nozzle Set*	L003003
ACCESSORIES		
30	2" Female BSP Adapter*	71-P50545
31	2" Female NPT Adapter	71-P50596
32	Bearing Wrench	71-P50697
33	Riser installation Kit	71-P00368
34	Rear Counterweight*	L00270
SPARE PART KITS		
A	Misc. Kit	71-P50590
B	Arm Shaft Kit	71-P50591

* Consult current Agricultural Equipment Price List.

Note: Part numbers enclosed in brackets () are not available individually, but may be sold in assemblies or kits.

January 1, 2015



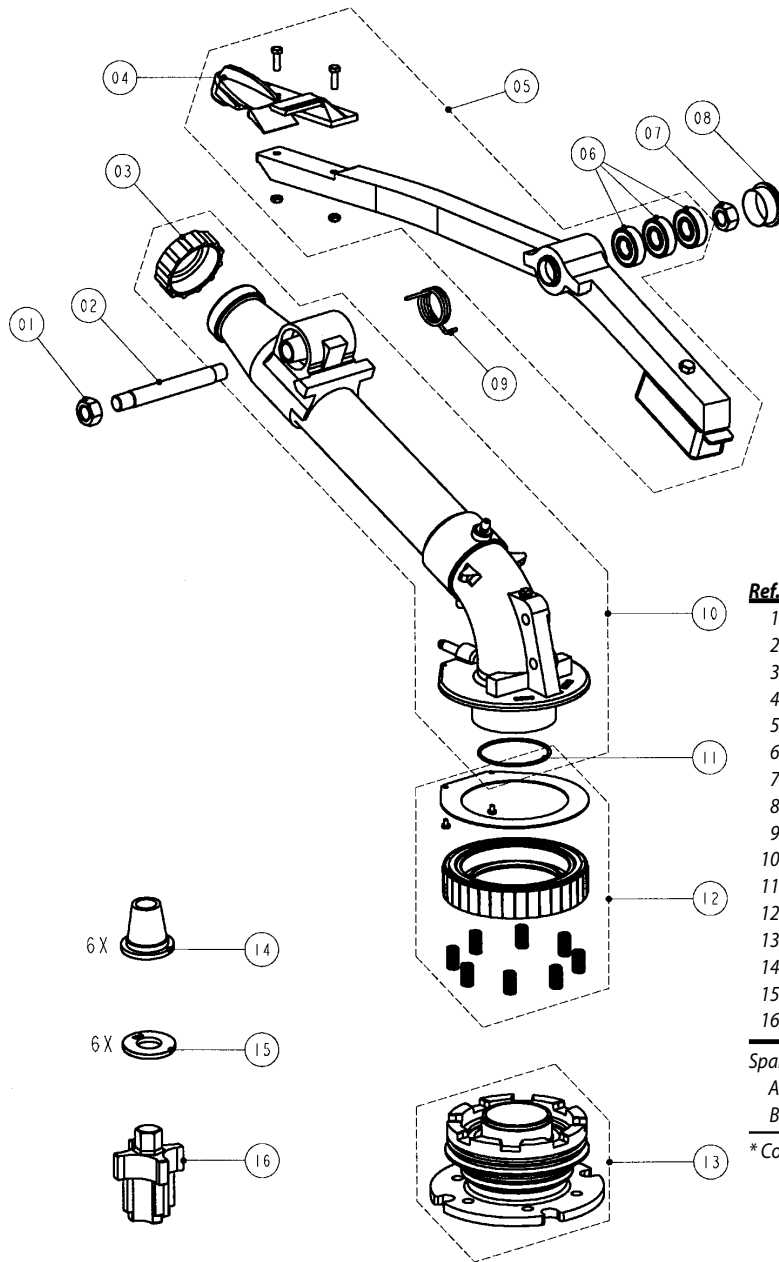
Ref.	Part Description	F2004 (1997-1998)
1	Forward Arm Assembly	71-P50332
2	Forward Spoon Bracket Assembly	71-P00364
3	Ball Bearing	71-P00324
4	Arm Nut (2)	Included in Kit B
5	Arm Cap	Included in Kit B
6	Forward Arm Spring	71-P50295
8	Elbow/Range Tube Assembly	71-P50308
9	Locknut Seal (2)	Included in Kit A
10	Brake Assembly**	71-P50814 + 71-P51002
11	Bearing Assembly**	71-P50814 + 71-P51002
14	Snap Ring	71-P50344
15	Ball Bearing	71-P50549
16	Lock Nut	Included in Ref. 11
17	Lower Bearing Seal	71-102155
18	Bearing Sleeve	Included in Ref. 11
19	Arm Shaft	Included in Kit B
20	Nozzle Retainer	71-P50302
21	GNS-2005T Taper Bore Nozzle (6) Set*	L00250
22	GNS-2005O Ring Nozzle (6) Set*	L00255
23	Bearing Wrench (1999)	71-P50697

SPARE PART KITS		
A	Maintenance Kit	71-P50364
B	Arm Shaft Kit	71-P50425

* Consult current Agricultural Equipment Price List
 ** Both parts must be ordered to replace the original part.

Note: Part numbers enclosed in brackets () are not available individually, but may be sold in assemblies or kits.

January 1, 2015



Ref.	Part Description	F2004 (1999)
1	Arm Nut	Included in Kit B
2	Arm Shaft	Included in Kit B
3	Nozzle Retainer	71-P50302
4	Forward Spoon Bracket Assembly	71-P00364
5	Forward Arm Assembly	71-P50807
6	Arm Ball Bearing	71-P00324
7	Arm Nut	Included in Kit B
8	Arm Cap	Included in Kit B
9	Forward Arm Spring	71-P50295
10	Elbow/Range Tube Assembly	71-P50803
11	O-Ring	Included in Kit A
12	Brake Assembly	71-P50814
13	Bearing Assembly	71-P51002
14	GNS-2005T Taper Bore Nozzle (6) Set*	L00250
15	GNS-2005O Ring Nozzle (6) Set*	L00255
16	Bearing Wrench (1999)	71-P50697

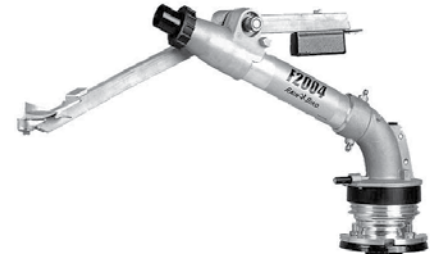
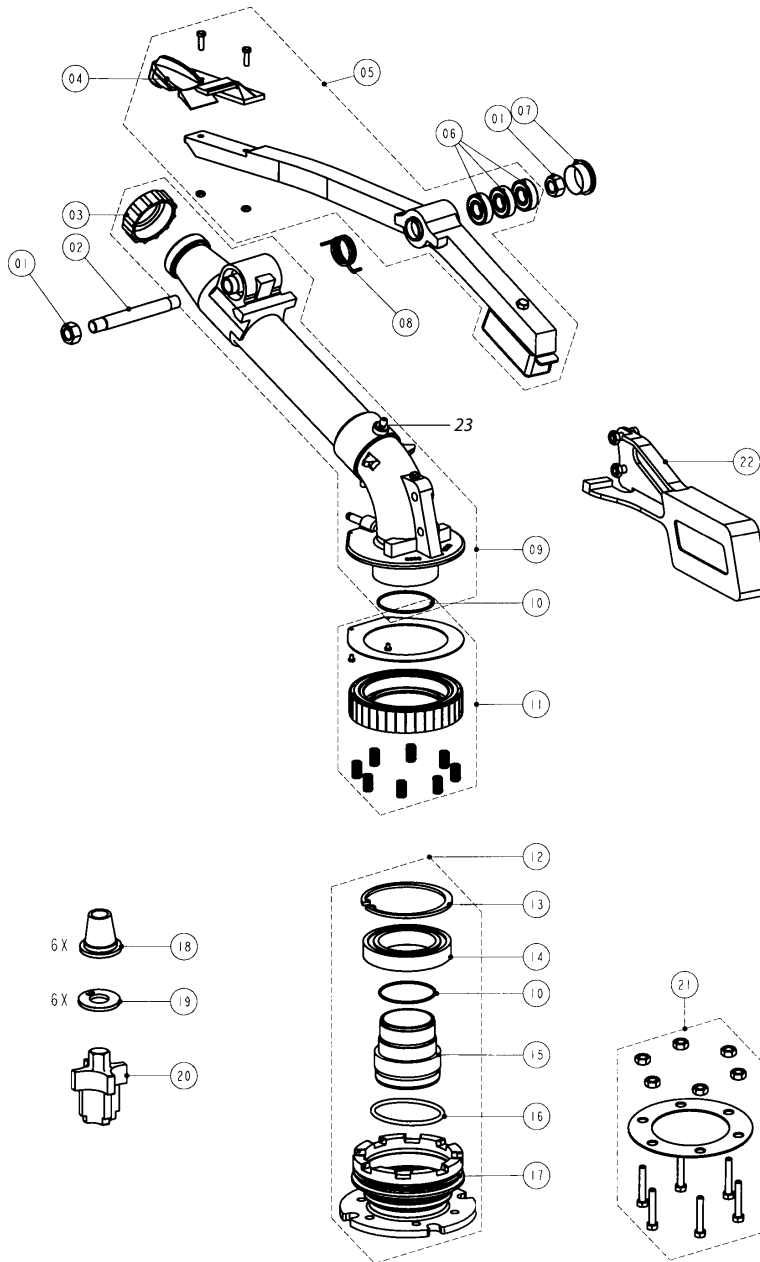
Spare Part Kits

A	Maintenance Kit	71-P50364
B	Arm Shaft Kit	71-P50425

* Consult current Agricultural Equipment Price List

Note: Part numbers enclosed in brackets () are not available individually, but may be sold in assemblies or kits.

January 1, 2015



Ref. Part Description F2004 (2000)

01	Arm Nut (2)	Included in Kit B
02	Arm Shaft	Included in Kit B
03	Nozzle Retainer	71-P50302
04	Forward Spoon Bracket Assembly	71-P00364
05	Forward Arm Assembly	71-P50807
06	Arm Ball Bearing	71-P00324
07	Arm Cap	Included in Kit B
08	Forward Arm Spring	71-P50295
09	Elbow/Range Tube Assembly	71-P50803
10	O-Ring (2 required)	Included in Kit A
11	Brake Assembly	71-P50814
12	Bearing Assembly	71-P51002
13	Snap Ring	71-P50344
14	Ball bearing	71-P50549
15	Lock Nut	71-P50796
16	O-Ring	71-102155
17	Bearing Sleeve	71-P50795
18	GNS-2005T Taper Nozzle (6) Set*	L00250
19	GNS-2005O Ring Nozzle (6) Set*	L00255
23	Pressure Port Plug	71-P20006

ACCESSORIES

20	Bearing Wrench	71-P50697
21	Riser installation Kit	71-P00368
22	Rear Counterweight*	L00260

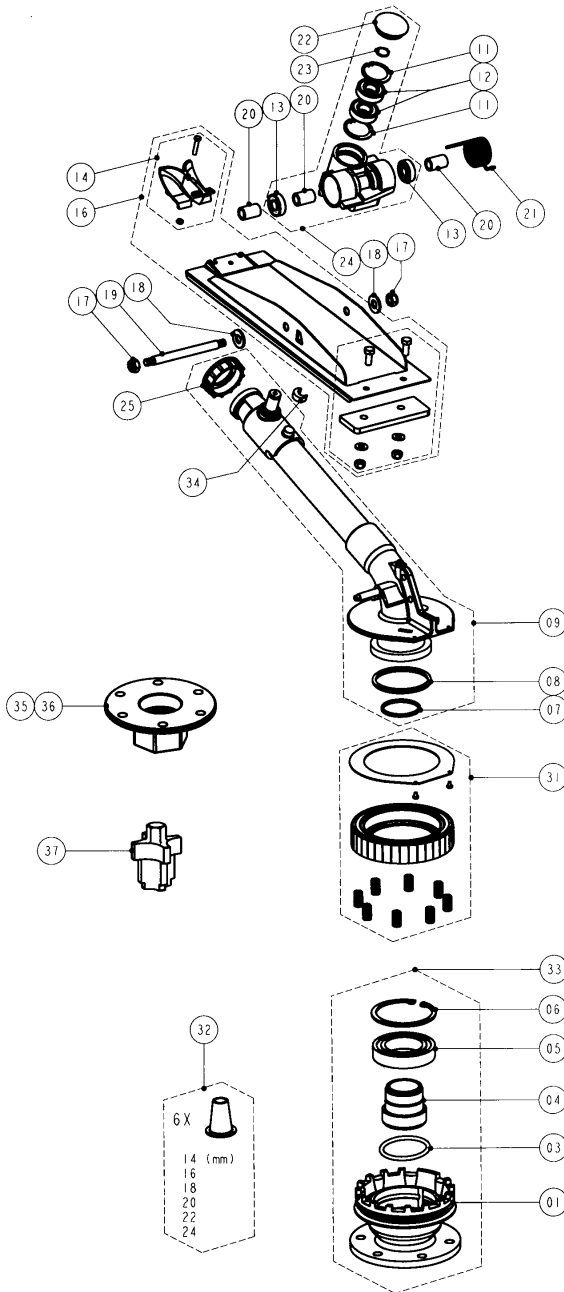
SPARE PART KITS

A	Maintenance Kit	71-P50364
B	Arm Shaft Kit	71-P50425

* Consult current Agricultural Equipment Price List.

Note: Part numbers enclosed in brackets () are not available individually, but may be sold in assemblies or kits.

January 1, 2015

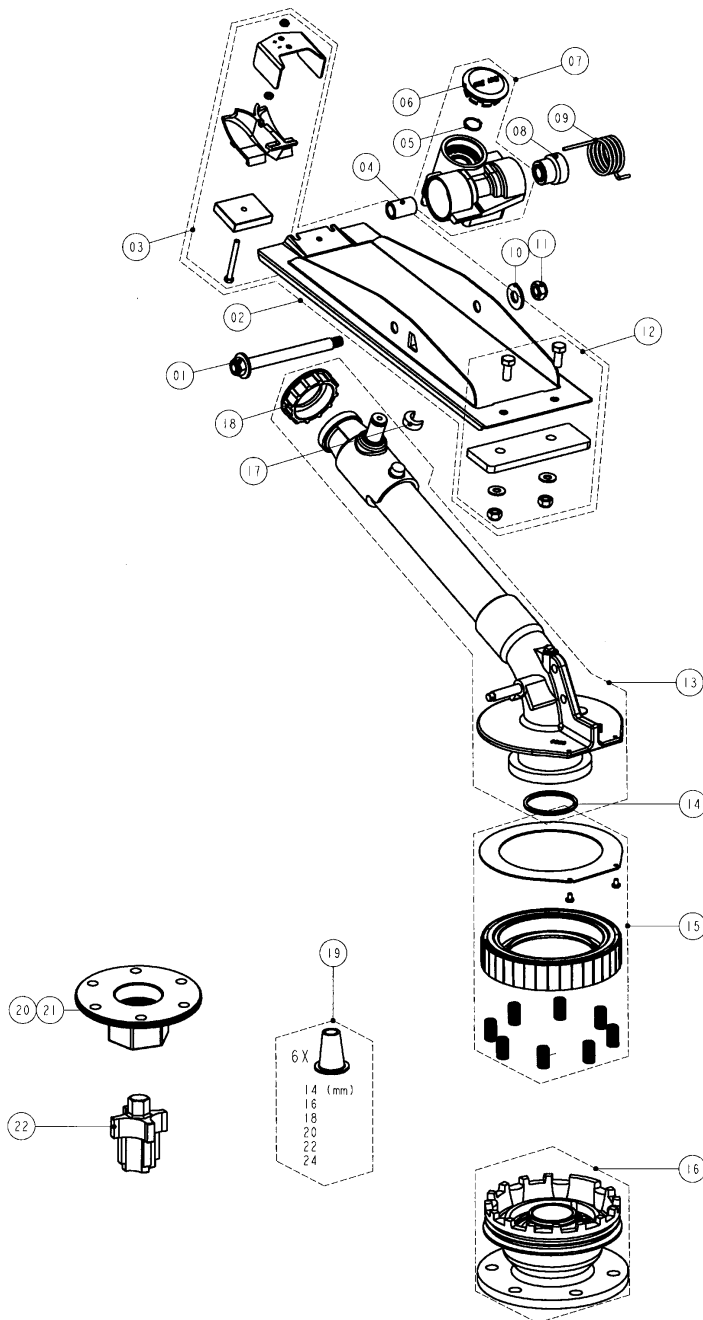


Ref.	Part Description	F3002 (1997 - 1998)
01	Bearing Sleeve***	71-P50824 + 71-P51176+ 71-P51001
03	Lower Bearing O-Ring Seal	71-P50121
04	Lock Nut***	71-P50824 + 71-P51176 + 71-P51001
05	Ball Bearing	71-P50544
06	Snap Ring	71-P50463
07	Lock Nut O-Ring Seal	71-P50155
08	Upper Bearing O-Ring Seal	71-P50464
09	Elbow/Range Tube Assembly***	71-P51001 + 71-P51176 + 71-P50471
11	Pivot Snap Ring (2 required)	Included in Ref. 24
12	Pivot Ball Bearing (2 required)	Included in Ref. 24
13	Arm Ball Bearing (2 required)	Included in Ref. 24
14	Spoon Kit	71-P50824
16	Arm Assembly/Counterweight	71-P50472
17	Arm Nut (2 required)	Included in Kit C
18	Arm Washer (2 required)	Included in Kit C
19	Arm Shaft	Included in Kit C
20	Spacer (3 required)	71-P50420
21	Arm Spring***	71-P50706 + 71-P50826 + 71-P50812
22	Pivot Cap	71-P50336
23	Snap Ring	71-P00358
24	Pivot Assembly	71-P50826
25	Nozzle Retainer	71-105943
31	Brake Kit***	71-P50824 + 71-P51176 + 71-P51001
32	GNS-3003T Nozzle Set*	L003003
33	Bearing Assembly***	71-P50824 + 71-P51176 + 71-P51001
34	Pivot Stop	71-P50592
ACCESSORIES		
35	2" Female BSP Adapter**	71-P50545
36	2" Female NPT Adapter**	71-P50596
37	Bearing Wrench (1999)	71-P50697
SPARE PART KITS		
C	Arm Shaft Kit	71-P50591

* Consult current Agricultural Equipment Price List
 ** Consult Rain Bird for Pricing information
 *** All 3 Parts Must Be Ordered to Replace the Original Part.

Note: Part numbers enclosed in brackets () are not available individually, but may be sold in assemblies or kits.

January 1, 2015

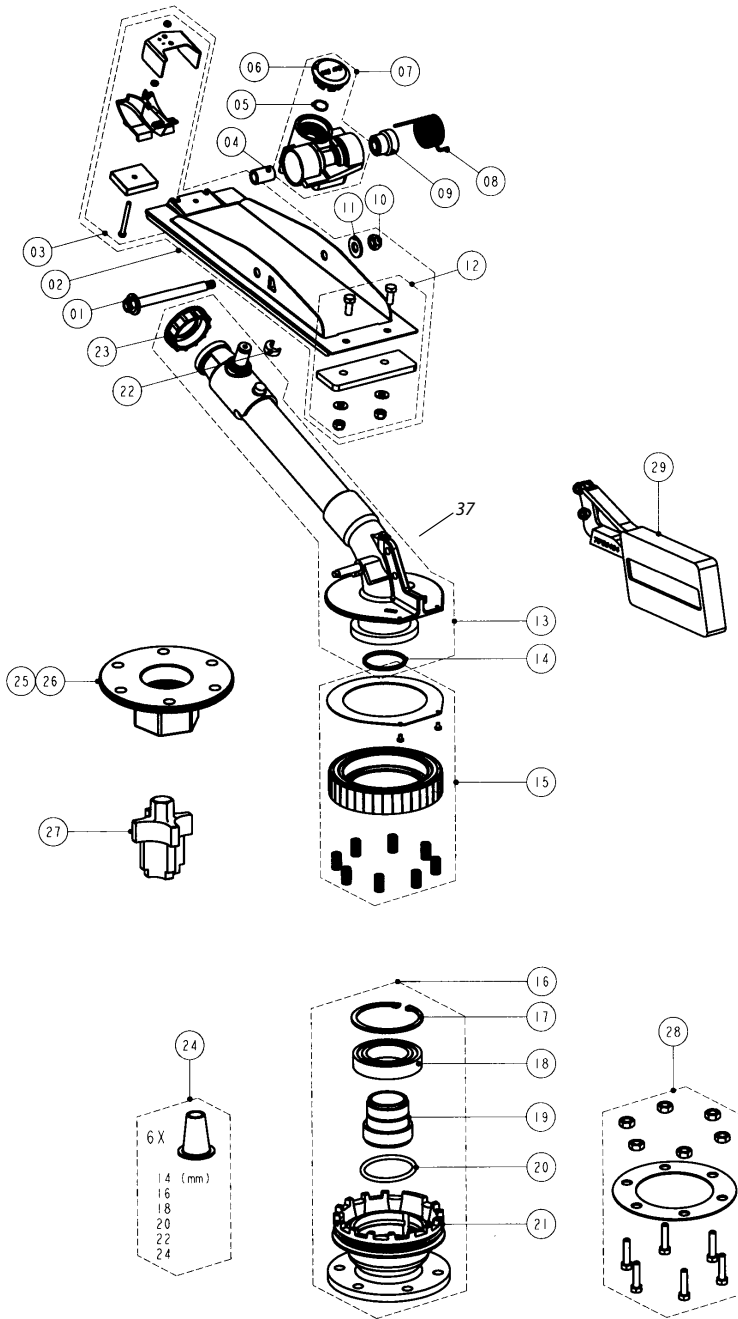


Ref.	Part Description	F3002 (1999)
01	Arm Shaft Assembly	included in Kit C
02	Arm Assembly/Counterweight	71-P50472
03	Spoon Assembly	71-P50824
04	Spacer	71-P50420
05	Snap Ring	71-P00358
06	Pivot Cap Assembly	71-P50825
07	Pivot Assembly	71-P50826
08	Spring Spacer	71-P50706
09	Arm Spring	71-P50812
10	Arm Washer	included in Kit C
11	Arm Locknut	included in Kit C
12	Counterweight Kit	71-P50827
13	Elbow/Range Tube Assembly	71-P50471
14	O-Ring	71-P50155
15	Brake Assembly	71-P51176
16	Bearing Assembly	71-P51001
17	Pivot Stop	71-P50592
18	Nozzle Retainer	71-105943
19	GNS-3003T Nozzle Set*	L003003
ACCESSORIES		
20	2" Female BSP Adapter**	71-P50545
21	2" Female NPT Adapter**	71-P50596
22	Bearing Wrench (1999)	71-P50697
SPARE PART KITS		
C	Arm Shaft Kit	71-P50591

* Consult current Agriculture Equipment Price List
** Consult Rain Bird for Pricing information

Note: Part numbers enclosed in brackets () are not available individually, but may be sold in assemblies or kits.

January 1, 2015



Ref.	Part Description	F3002 (2000)
------	------------------	--------------

01	Arm Shaft Assembly	Included in Kit A
02	Arm Assembly Counterweight	71-P50472
03	Spoon Assembly	71-P50824
04	Spacer	71-P50420
05	Snap Ring	71-P00358
06	Pivot Cap Assembly	71-P50825
07	Pivot Assembly	71-P50826
08	Arm Spring	71-P50812
09	Spring Spacer	71-P50706
10	Arm Locknut	Included in Kit A
11	Arm Washer	Included in Kit A
12	Counterweight Kit	71-P50827
13	Elbow/Range Tube Assembly	71-P50471
14	O-Ring	71-P50155
15	Brake Assembly	71-P51176
16	Bearing Assembly	71-P51001
17	Snap Ring	71-P50463
18	Ball bearing	71-P50544
19	Lock Nut	71-P50793
20	O-Ring	71-P50121
21	Bearing Sleeve	71-P50794
22	Pivot Stop	71-P50592
23	Nozzle Retainer	71-105943
24	GNS-3003T Nozzle Set*	L003003
37	Pressure Port Plug	71-P20006

ACCESSORIES

25	2" Female BSP Adapter*	71-P50545
26	2" Female NPT Adapter	71-P50596
27	Bearing Wrench	71-P50697
28	Riser Installation Kit	71-P00368
29	Rear Counterweight*	L00270

SPARE PART KITS

A	Arm Shaft Kit	71-P50591
---	---------------	-----------

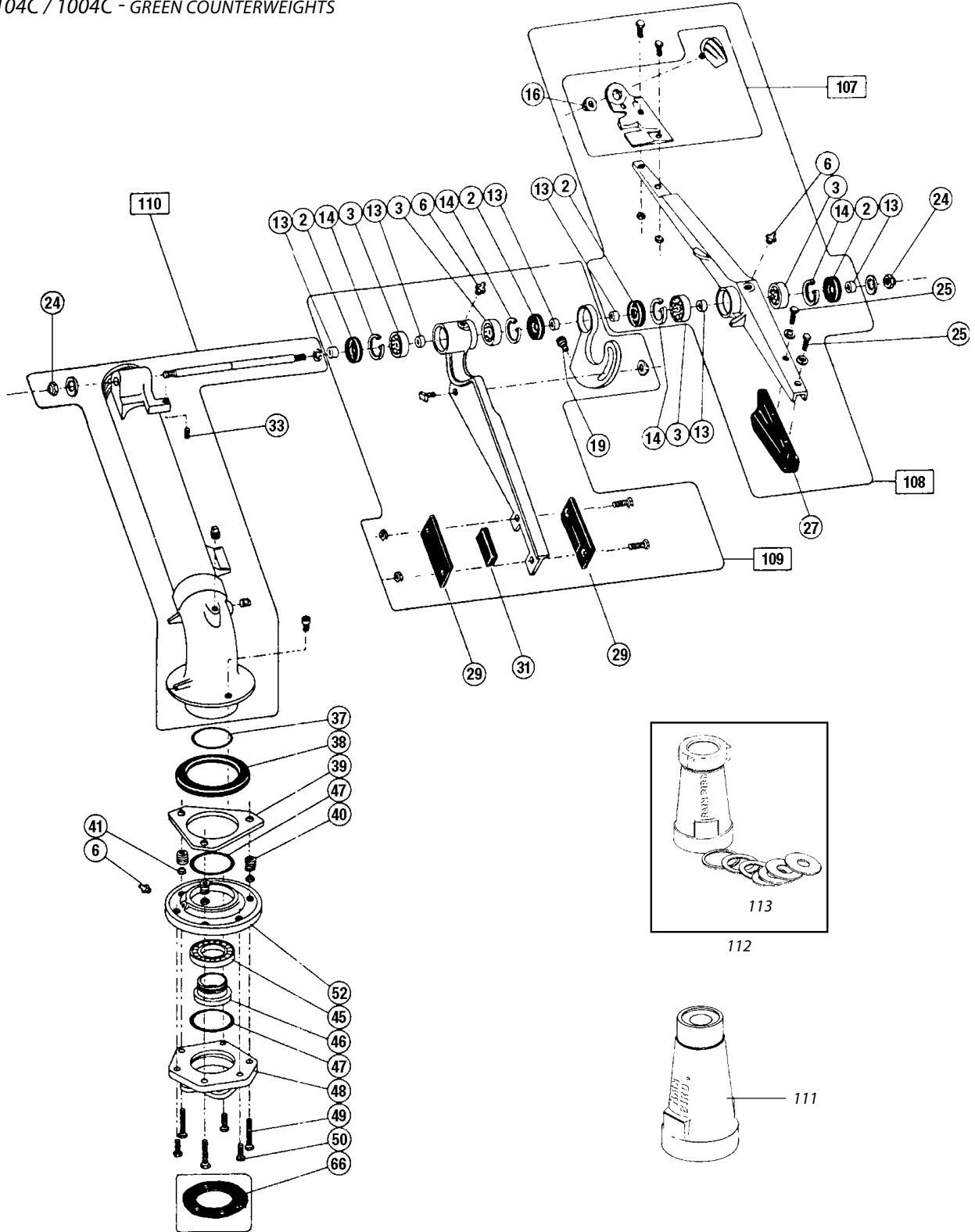
* Consult current Agricultural Equipment Price List.

Note: Part numbers enclosed in brackets () are not available individually, but may be sold in assemblies or kits.

January 1, 2015

1004M - BLACK COUNTERWEIGHTS

104C / 1004C - GREEN COUNTERWEIGHTS



Note: Part numbers enclosed in brackets () are not available individually, but may be sold in assemblies or kits.

January 1, 2015

Ref.	Part Description	104C	
		1004M	1004C
2	Grease Seal	72-101572	72-101572
3	Ball Bearing	71-101573	71-101573
6	Grease Fitting	71-100022	71-100022
13	Spacer	71-101531	71-101531
14	Snap Ring	72-101529	72-101529
16	Lock Nut	71-P00326	72-101329
19	Bumper	71-P00337	71-P00337
24	Nut	71-P00655	72-101569
25	Screw	71-P00330	72-104569
27	Drive Arm Counterweight	71-P00510	—
29	Pendulum Weight	71-101458	71-101458
31	Bumper Pad	71-100943	71-100943
33	Arm Position Screw	71-P00524	71-109534
37	Thread O-Ring	71-102158	71-102158
38	Brake Lining	71-102150	71-102150
39	Disc Brake	71-108956	71-108956
40	Brake Spring	71-101523	71-101523
41	Brake Adjust Nut	71-P00326	72-101533
45	Ball Bearing	71-102153	71-102153
46	Lock Nut	71-102157	71-102157
47	Bearing O-Ring	71-102155	71-102155
48	Bearing Sleeve	71-102156	71-102156
49	Brake Bolt	71-P00329	72-101522
50	Screw	71-P00330	72-104569
52	Bearing Cap Assembly	71-P00350	71-P00728
66	Flange Gasket	71-102186	71-102186
107	Spoon Bracket Assembly	71-P00518	71-P00518
108	Drive Arm Assembly	71-P00149	71-P00149
109	Pendulum Assembly	71-P00517	71-P00517
110	Elbow Range Tube Assembly	71-P00673	71-P00673
NOZZLES (Specify nozzle size when ordering)			
111	CS Straight Bore Nozzle	71-102189	71-102189
112	CO Ring Orifice Nozzle Assembly	71-102138	71-102138
113	Ring Orifice Set Only	71-103868	71-103868

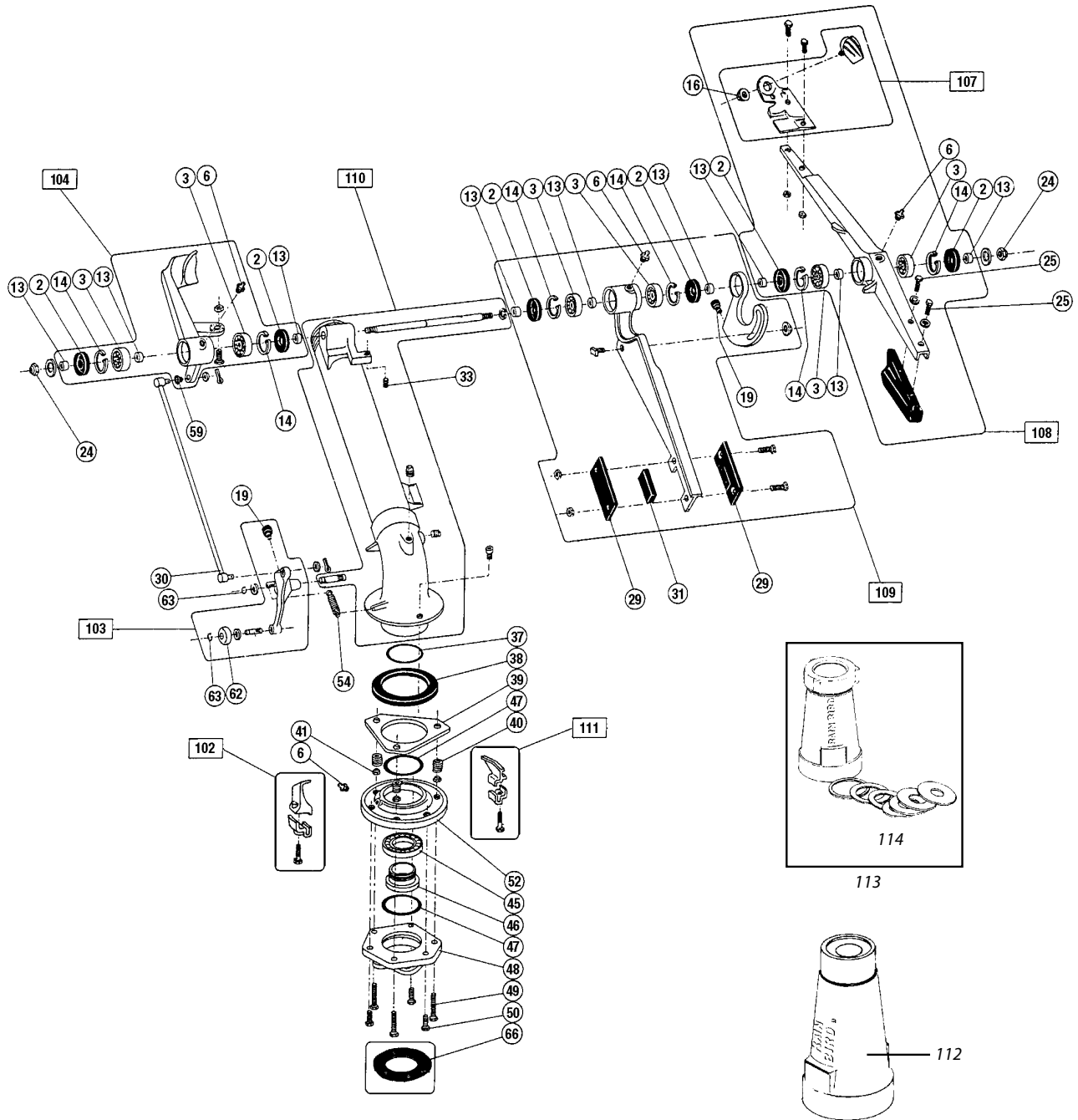


Note: Part numbers enclosed in brackets () are not available individually, but may be sold in assemblies or kits.

January 1, 2015

105C / 1005C - GREEN COUNTERWEIGHTS

1005M / 1005M-DC - BLACK COUNTERWEIGHTS



Note: Part numbers enclosed in brackets () are not available individually, but may be sold in assemblies or kits.

January 1, 2015

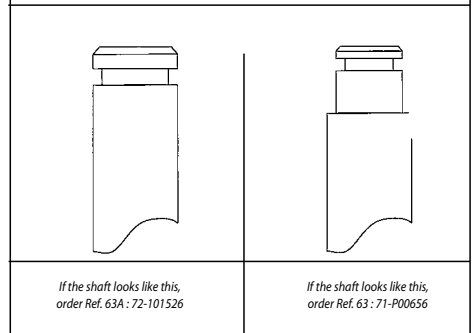


Ref.	Part Description	105C/1005C	1005M	1005M-DC
2	Grease Seal	72-101572	72-101572	72-101572
3	Ball Bearing	71-101573	71-101573	71-101573
5	Nut	72-100535	—	—
6	Grease Fitting	71-100022	71-100022	71-100022
13	Spacer	71-101531	71-101531	71-101531
14	Snap Ring	72-101529	72-101529	72-101529
16	Lock Nut	72-101329	71-P00326	71-P00326
19	Bumper	71-P00337	71-P00337	71-P00337
24	Nut	72-101569	71-P00655	71-P00655
25	Screw	72-104569	71-P00330	71-P00330
27	Drive Arm Counterweight	—	71-P00510	71-P00510
29	Pendulum Weight	71-101458	71-101458	71-101458
30	Reverse Rod	71-102181	71-102181	71-110391
31	Bumper Pad	71-100943	71-100943	71-100943
33	Arm position Screw	72-109534	71-P00524	71-P00524
37	Thread O-Ring	71-102158	71-102158	71-102158
38	Brake Lining	71-102150	71-102150	71-102150
39	Disc Brake	71-108956	71-108956	71-108956
40	Brake Spring	71-101523	71-101523	71-101523
41	Brake Adjust Nut	72-101533	71-P00326	71-P00326
45	Ball Bearing	71-102153	71-102153	71-102153
46	Lock Nut	71-102157	71-102157	71-102157
47	Bearing O-Ring	71-102155	71-102155	71-102155
48	Bearing Sleeve	71-102156	71-102156	71-102156
49	Brake Bolt	72-101522	71-P00329	71-P00329
50	Screw	72-104569	71-P00330	71-P00330
52	Bearing Cap Assembly with 3 Bolts/Nuts	71-P00728	71-P00350	71-P00350
54	Reverse Trip Spring	71-102182	71-102182	71-102182
56	Bolt	72-104569	—	—
59	Reverse Arm Bushing Flange	71-102172	71-102172	71-102172
62	Trip Lever Roller	71-101527	71-101527	71-101527
63	Snap Ring	72-P00656	71-P00656	71-P00656
63A	Snap Ring*	71-101526	72-101526	71-P101526
66	Flange Gasket	72-102186	71-102186	71-102186
102	Forward Trip Stop Assembly	71-P00653	71-P00653	71-P00653
103	Trip Lever Assembly	71-P00652	71-P00652	71-P00652
104	Reverse Arm Assembly	71-P00651	71-P00651	71-P00651
107	Spoon Bracket Assembly	71-P00518	71-P00518	71-P00518
108	Drive Arm Assembly	71-P00149	71-P00149	71-P00149
109	Pendulum Assembly	71-P00517	71-P00517	71-P00517
110	Elbow Range Tube Assembly	71-P00148	71-P00148	71-P00679
111	Reverse Trip Stop Assembly	71-P00654	71-P00654	71-P00654
NOZZLES (Specify nozzle size when ordering)				
112	CS Straight Bore Nozzle	71-102189	71-102189	71-102189
113	CO Ring Orifice Nozzle Assembly	71-102138	71-102138	—
114	Ring Orifice Set Only	71-103868	71-103868	—

* See Ref. No. 1000

IMPORTANT

Before ordering Ref. 63, carefully examine the part on which it will be used: the elbow shaft or the roller shaft.

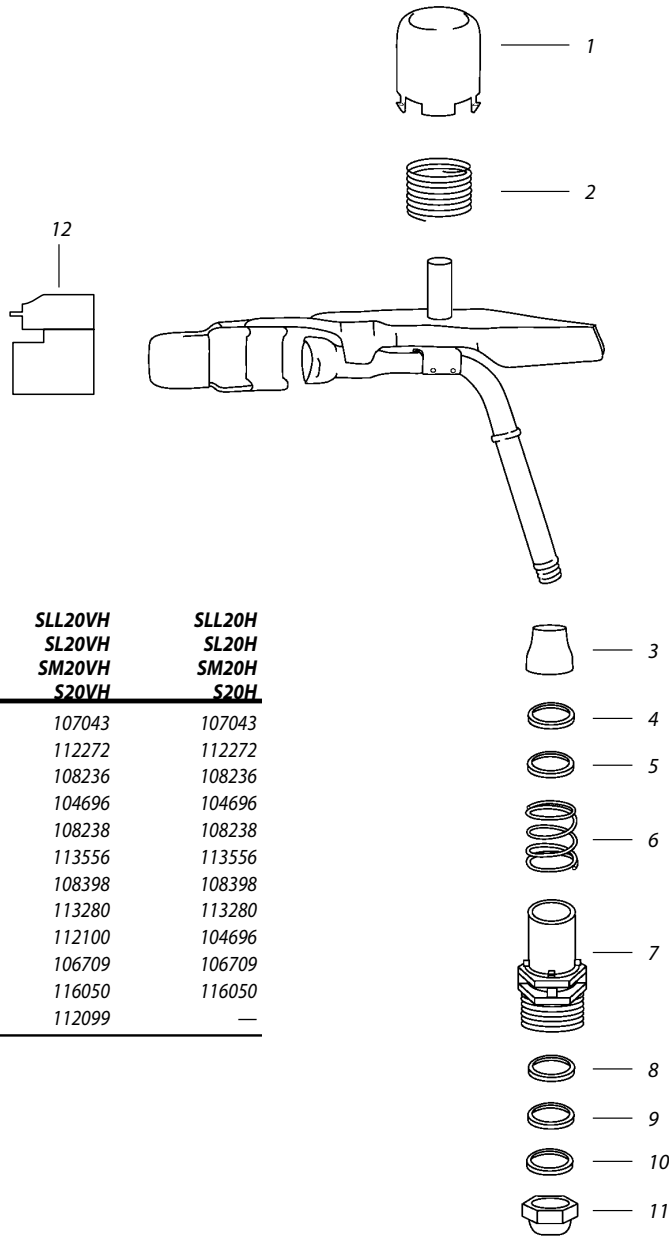


Note: Part numbers enclosed in brackets () are not available individually, but may be sold in assemblies or kits.

January 1, 2015

SLL20VH / SL20VH / SM20VH S20VH

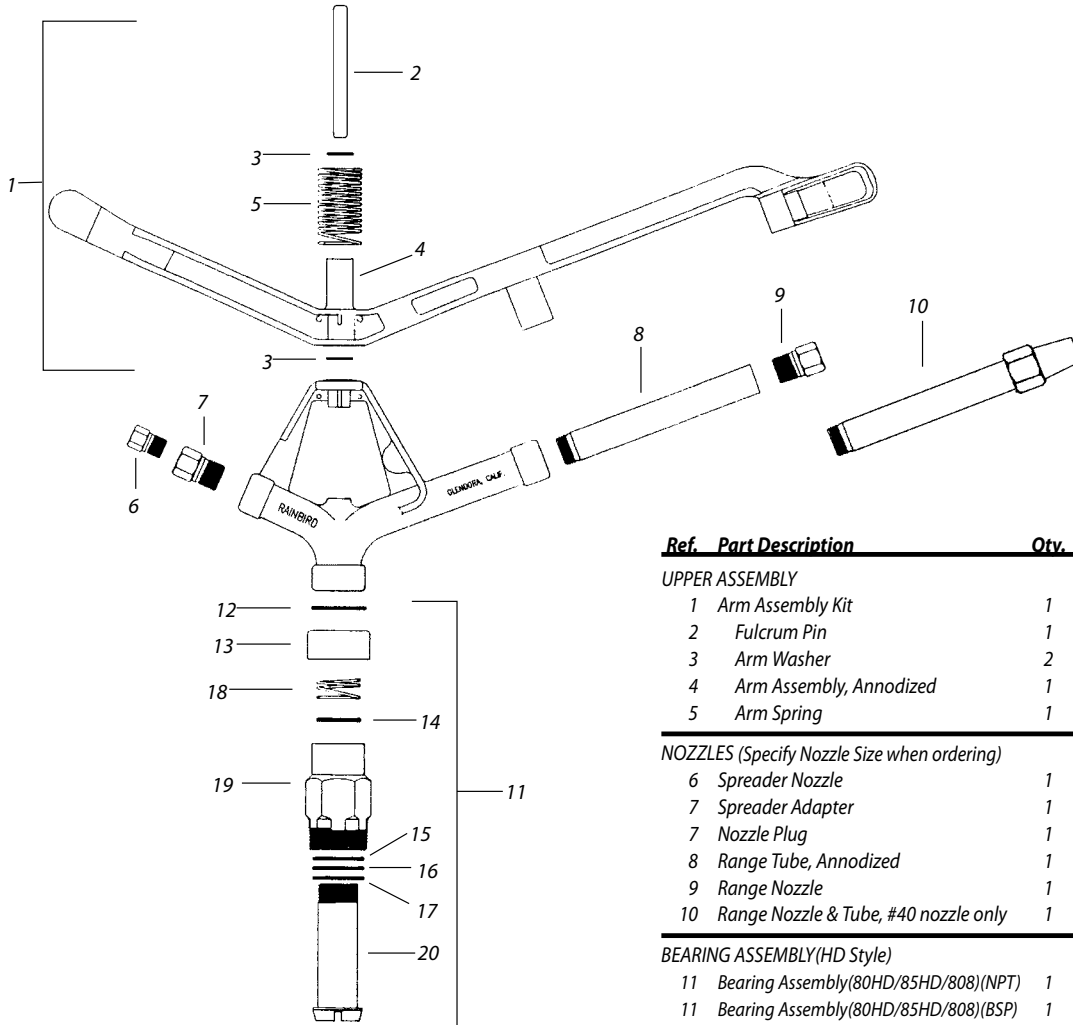
SLL20H / SL20H / SM20H / S20H



Ref.	Part Description	SLL20VH	SLL20H
		SL20VH SM20VH S20VH	SL20H SM20H S20H
1	Hood, Spring	107043	107043
2	Spring, Arm	112272	112272
3	Hood, Upthrust	108236	108236
4	Washer, Wear	104696	104696
5	Washer, S.S.	108238	108238
6	Spring, Upthrust	113556	113556
7	Sleeve, Bearing, Molded	108398	108398
8	Washer, Seal	113280	113280
9	Washer, Wear	112100	104696
10	Washer, Bearing	106709	106709
11	Nut, Flange	116050	116050
12	PJ Attachment Strong Drive	112099	—

Note: Part numbers enclosed in brackets () are not available individually, but may be sold in assemblies or kits.

January 1, 2015



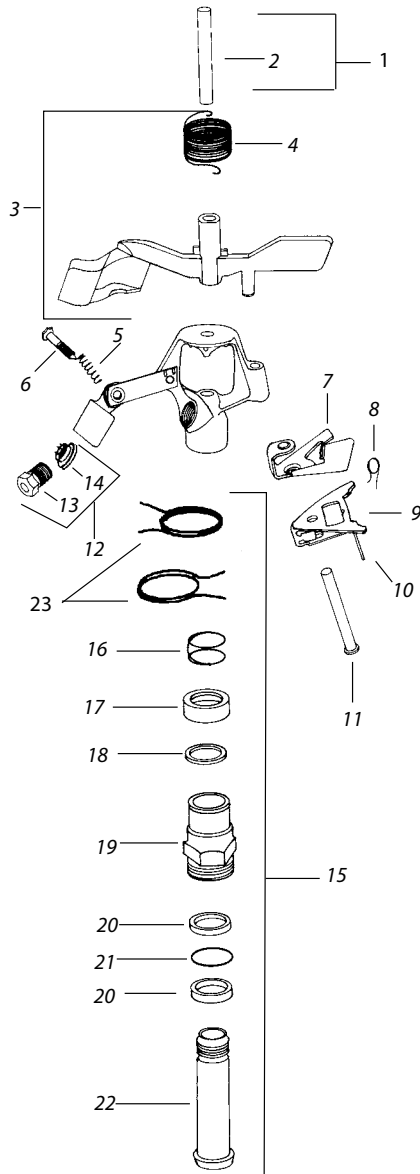
Note: All parts on the 808A are compatible with the previous 808S-TNT and 808W-TNT models. The Bearing Assembly has been upgraded to the Heavy Duty bearing (HD Style). The Bearing Washer kit listed is fully compatible with the HD Bearing Assembly and can be used to replace the bottom three washers of the TNT Bearing Assembly.

Ref.	Part Description	Qty.	Part Number
UPPER ASSEMBLY			
1	Arm Assembly Kit	1	(211843)
2	Fulcrum Pin	1	—
3	Arm Washer	2	—
4	Arm Assembly, Annodized	1	—
5	Arm Spring	1	—
NOZZLES (Specify Nozzle Size when ordering)			
6	Spreader Nozzle	1	(A) 100226-xx
7	Spreader Adapter	1	(211777)
7	Nozzle Plug	1	(211774)
8	Range Tube, Annodized	1	(211822)
9	Range Nozzle	1	(B) (211775-xx)
10	Range Nozzle & Tube, #40 nozzle only	1	(212239)
BEARING ASSEMBLY (HD Style)			
11	Bearing Assembly(80HD/85HD/808)(NPT)	1	(117376)
11	Bearing Assembly(80HD/85HD/808)(BSP)	1	(105441)
—	80HD/85HD/808 Bearing Washer Kit	1	113879
12	Bearing Seal Washer (Gray)	1	—
13	Bearing Hood (Black)	1	—
14	Wear Top Washer (Black)	1	—
15	Bearing Washer (Black)	1	—
16	Wear Washer (Orange)	1	—
17	Wear Seal Washer (White)	1	—
18	Bearing Spring	1	—
19	Bearing Sleeve	1	—
20	Bearing Nipple	1	—
TOOLS			
—	Universal Bearing Wrench (Not Shown)	1	(C) A90919

- (A) (Specify Nozzle Size when ordering)
 Available Spreader Nozzles: 8,10,12, 14. Use #8 for #26 range,#10 for #28 & #30 range,#12 for #32,#34, $ range, and #14 for#40.
- (B) Specify Nozzle Size when ordering.
 Available Range Nozzles: 26, 28, 30, 32, 34, 36
- (C) Required for maintaining or replacing the Bearing Assembly

Note: Part numbers enclosed in brackets () are not available individually, but may be sold in assemblies or kits.

January 1, 2015

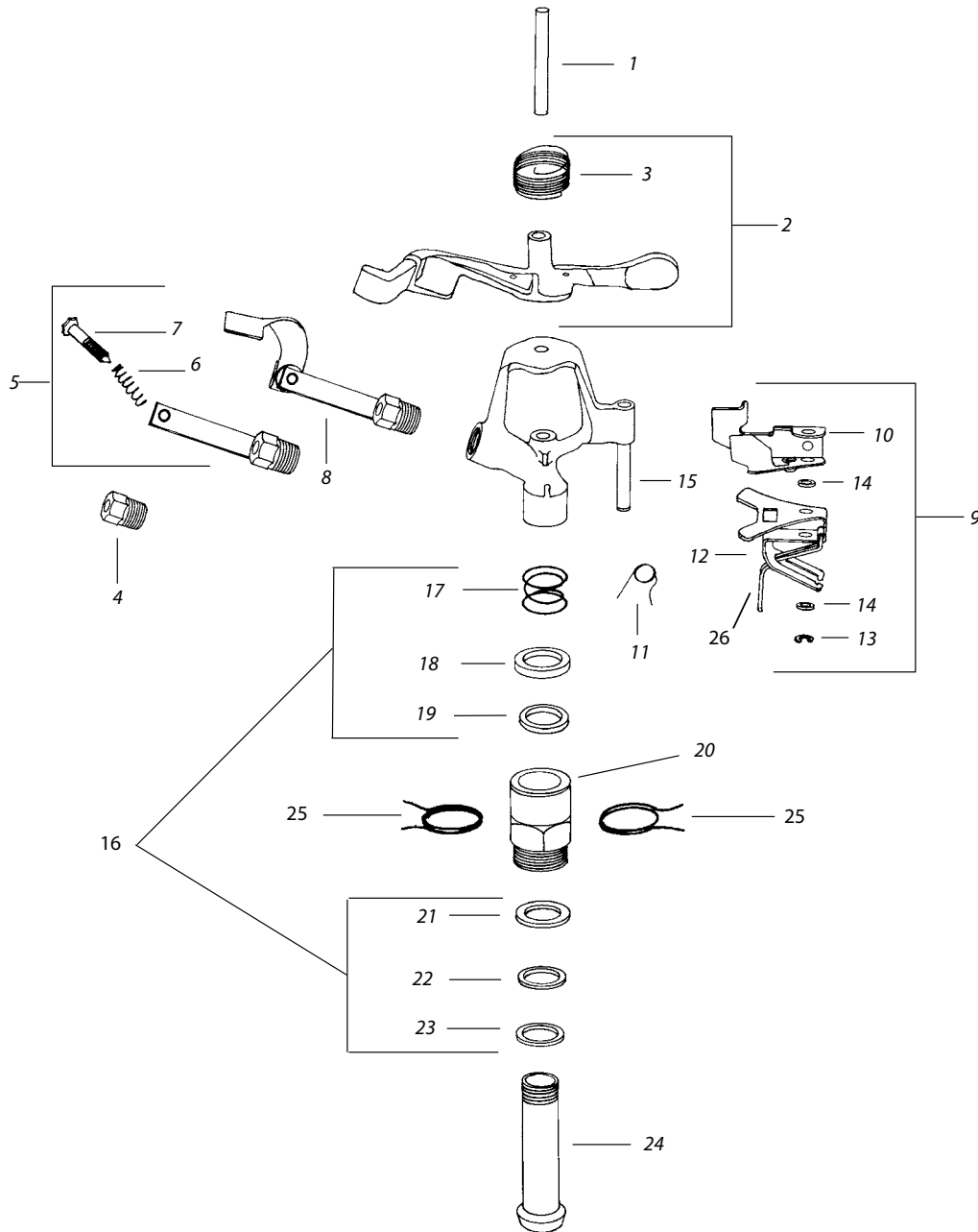


Ref.	Part Description	25BPI-FP	
		25BPI-FP-ADJ	ADJ-DA-TNT
UPPER ASSEMBLY			
1	Fulcrum Kit	177461	177461
2	Fulcrum Pin	(100793)	(100793)
3	PJ Arm Spring Assembly	177507	177507
4	Arm Spring (for PJ)	(104933)	(104933)
5	Adjustment Spring	100136	100136
6	Adjustment Pin	100203	100203
TRIP MECHANISM			
7	Upper Trip	(108994)	(108994)
8	Trip Spring	105720	105720
9	Lower Trip Assembly (FP)	(110124)	(110124)
10	Trip Lever	109484	109484
11	Trip Shaft	(104734)	(104734)
NOZZLES (Specify nozzle size when ordering)			
12	Nozzle & Vane Assembly	106160xx	106160xx
13	Nozzle	105780xx	105780xx
14	Vane	101618	101618
BEARING ASSEMBLY			
15	Bearing Assembly	106181	110950
16	Bearing Spring	—	(100182)
17	Skirted Top Seal (Black)	—	(100180)
18	PTFE Top Seal (White)	—	(100181)
19	Bearing Sleeve (B)	106183	177498
20	Bearing Washer (Black)	(104181)	(104181)
21	Wear Washer (White)	(104184)	(104696)
22	Bearing Nipple	104982	177503
23	Friction Collar, STD (A)	104906	104906

(A) STD friction collars 104906 include Quantity 1 per kit.
 (B) Two Collars included with Bearing Sleeve

Note: Part numbers enclosed in brackets () are not available individually, but may be sold in assemblies or kits.

January 1, 2015



Note: Part numbers enclosed in brackets () are not available individually, but may be sold in assemblies or kits.

January 1, 2015

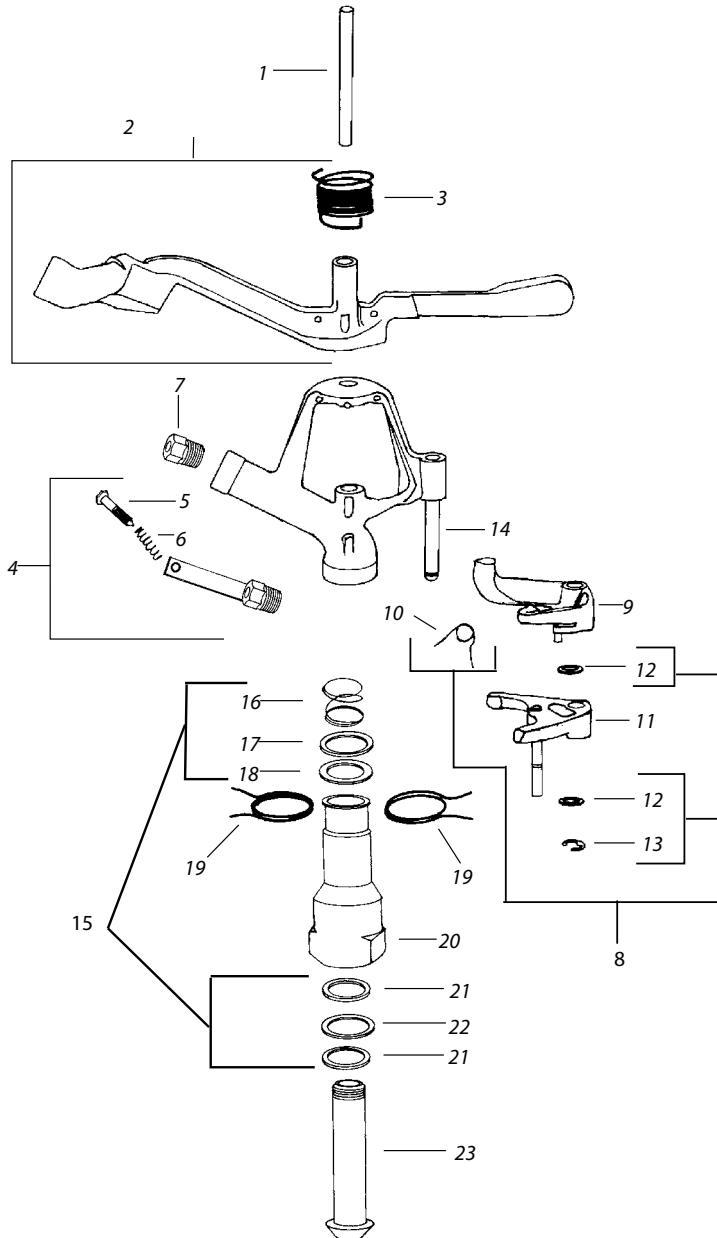
Ref.	Part Description	35A-TNT	35A-ADJ-TNT	35A-PJDA-TNT	35A-PJADJ-TNT	35-A-PJ-TNT
UPPER ASSEMBLY						
1	Fulcrum Pin	177462	177462	177462	177462	177462
2	Arm Spring Assy, (PJ Pictured)	—	—	177469	177469	177469
3	Arm Spring	—	—	(100305)	(100305)	(100305)
2	Arm Spring Assy, STD	177468	177468	—	—	—
3	Arm Spring	(100305)	(100305)	—	—	—
NOZZLES (Specify nozzle size when ordering.)						
4	Standard Range Nozzle	105842xx	—	—	—	—
4	Keyhole Nozzle	106353xx	—	—	—	—
5	ADJ Nozzle Assembly	—	100328xx	—	100328xx	100328xx
6	Spring	—	100136	—	100136	100136
7	Pin—	—	100203	—	100203	100203
8	DA Nozzle	—	—	100332xx	—	—
TRIP MECHANISM						
9	Upper & Lower Trip Kit	114653	114653	114653	114653	114653
—	Trip Assembly, Upper with Trip Spring	(11386901)	(11386901)	(11386901)	(11386901)	(11386901)
10	Upper Trip	(11019201)	(11019201)	(11019201)	(11019201)	(11019201)
11	Trip Spring	100158	100158	100158	100158	100158
12	Trip Assembly, Lower	114318	114318	114318	114318	114318
13	E-Ring	231086	231086	231086	231086	231086
14	Spacer Washers (2)	100164	100164	100164	100164	100164
15	Trip Shaft	100320	100320	100320	100320	100320
26	Lever	110430	110430	110430	110430	110430
BEARING ASSEMBLY						
16	Bearing Washer Kit (New TNT Style)	177473	177473	177473	177473	177473
17	Bearing Spring	(240013)	(240013)	(240013)	(240013)	(240013)
18	Skirted Top Seal Washer (Black)	(240016)	(240016)	(240016)	(240016)	(240016)
19	Top Seal Washer (PTFE) (White)	(104762)	(104762)	(104762)	(104762)	(104762)
21	Bearing Washer (Black)	(100726)	(100726)	(100726)	(100726)	(100726)
22	Wear Washer (Orange)	(103058)	(103058)	(103058)	(103058)	(103058)
23	Bearing Washer, Seal (Gray)	(102345)	(102345)	(102345)	(102345)	(102345)
20	Bearing Sleeve	(A) 177466	(A) 177466	(A) 177466	(A) 177466	(A) 177466
24	Bearing Nipple	177504	177504	177504	177504	177504
25	Friction Collar, Wire	(B) 105773	(B) 105773	(B) 105773	(B) 105773	(B) 105773

(A) Bearing Sleeve Includes (2) Friction Trip Collars 105773

(B) Friction Collars 105773 include Quantity 1 per kit

Note: Part numbers enclosed in brackets () are not available individually, but may be sold in assemblies or kits.

January 1, 2015



Ref.	Part Description	65PJ-TNT	65PJADJ-TNT
UPPER ASSEMBLY			
1	Fulcrum Pin	100348	
2	Arm Spring Assembly PJ	177508	
3	Arm Spring	(100369)	
NOZZLES (Specify nozzle size when ordering)			
4	ADJ Nozzle Assembly	10038516	
5	Pin	(100203)	
6	Spring	(100136)	
7	Range Nozzle	100382xx	
TRIP MECHANISM			
9	Upper Trip Arm	100370	
11	Lower Trip Arm	240033	
8	Trip Hardware Kit	179991	
10	Trip Spring	(231079)	
12	Spacer Washer (2)	(231077)	
13	E-Ring	(231078)	
14	Trip Shaft	(100365)	
BEARING ASSEMBLY			
15	Bearing Washer Kit	177475	
16	Bearing Spring	(231064)	
17	Metal Top Seal Washer	(231063)	
18	Top Seal Washer (White)	(100313)	
21	Bearing Washer (2) (Black)	(104038)	
22	Wear Washer (Orange)	(104037)	
19	Friction (Trip) Collar	(B) 105774	
20	Bearing Sleeve (FNPT)	177500	
20	Bearing Sleeve (BSP)	177499	
23	Bearing Nipple	177518	

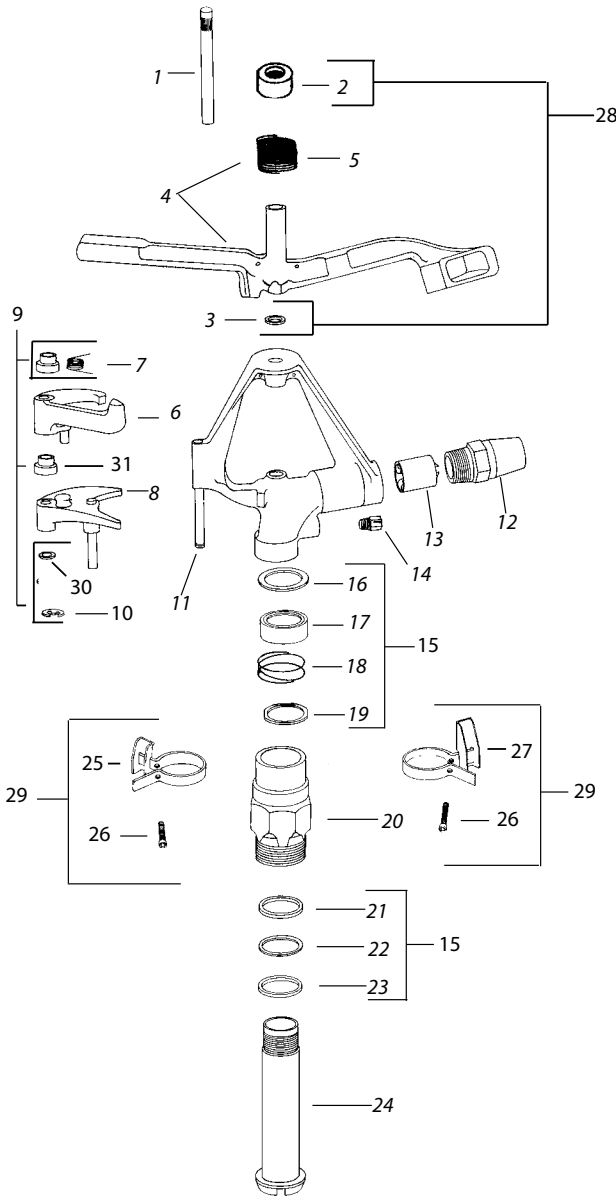
(A) 65D arm is no longer available, use current PJ arm.

(B) Friction Trip Collars available individually or with sleeve.

Kit 105774 includes Quantity of 1

Note: Part numbers enclosed in brackets () are not available individually, but may be sold in assemblies or kits.

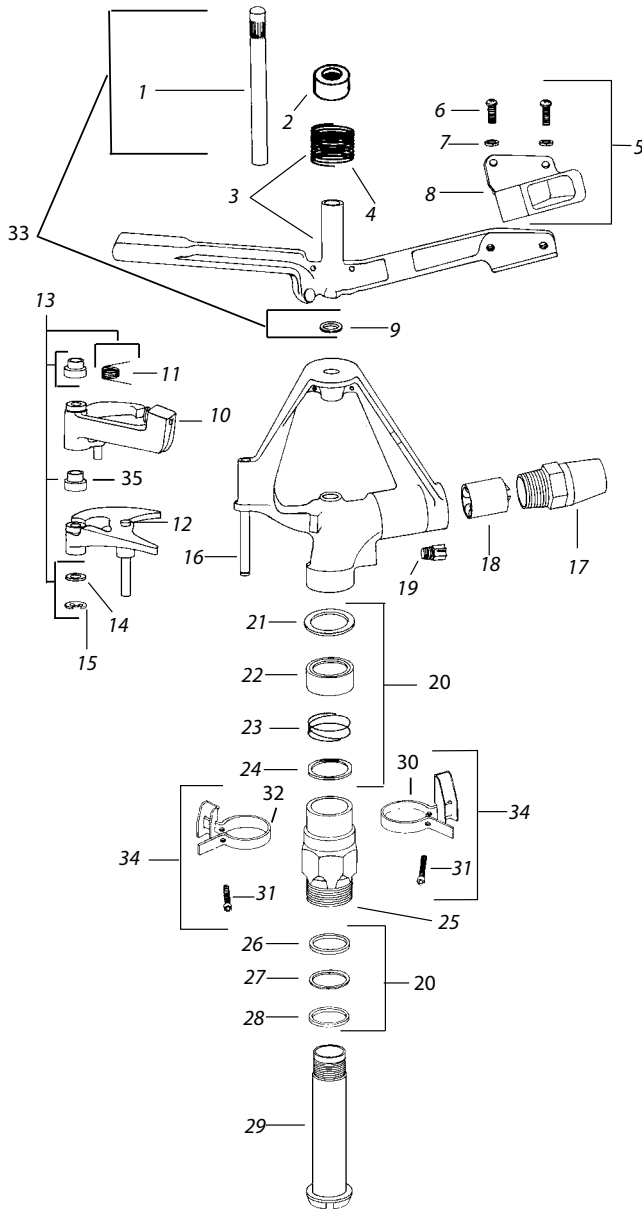
January 1, 2015



Ref.	Part Description	85EHD	85EHD-BSP
UPPER ASSEMBLY			
28	Fulcrum Kit	177421	177421
1	Fulcrum Pin	(100430)	(100430)
2	Arm Hood	(108556)	(108556)
3	Arm Washer (2)	(100432)	(100432)
4	Arm Spring Assembly	177470	177470
5	Arm Spring	(100431)	(100431)
TRIP MECHANISM			
6	Trip Arm, Upper	108318	108318
8	Trip Arm, Lower	111129	111129
9	Trip Hardware Kit	179992	179992
7	Trip Spring	(112858)	(112858)
10	E-Ring	(231078)	(231078)
30	Spacer Washer	(231077)	(231077)
31	Trip Hood (2)	(111812)	(111812)
11	Trip Shaft	(108321)	(108321)
NOZZLES (Specify nozzle size when ordering)			
12	Range Nozzle	103043xx	103043xx
13	Body Vane	101275	101275
12	Low Pressure Nozzle	108149xx	108149xx
14	20 Deg. Spreader Nozzle	100226-14	—
—	Nozzle Plug	100255	—
15	Bearing Washer Kit	177474	177474
16	Seal Washer, Upper	(104638)	(104638)
17	Bearing Hood	(113098)	(113098)
18	Bearing Spring	(100449)	(100449)
19	Wear Washer, Top (Black)	(113309)	(113309)
21	Bearing Washer (Black)	(113099)	(113099)
22	Wear Washer (Orange)	(104639)	(104639)
23	Bearing Washer, Seal	(113100)	(113100)
20	Bearing Sleeve	177515	177467
24	Bearing Nipple	177506	177506
29	Collar Kit	179993	179993
25	Friction Collars (Top)	(107959)	(107959)
26	Screw (2)	(111126)	(111126)
27	Friction Collars (Bottom)	(107960)	(107960)

Note: Part numbers enclosed in brackets () are not available individually, but may be sold in assemblies or kits.

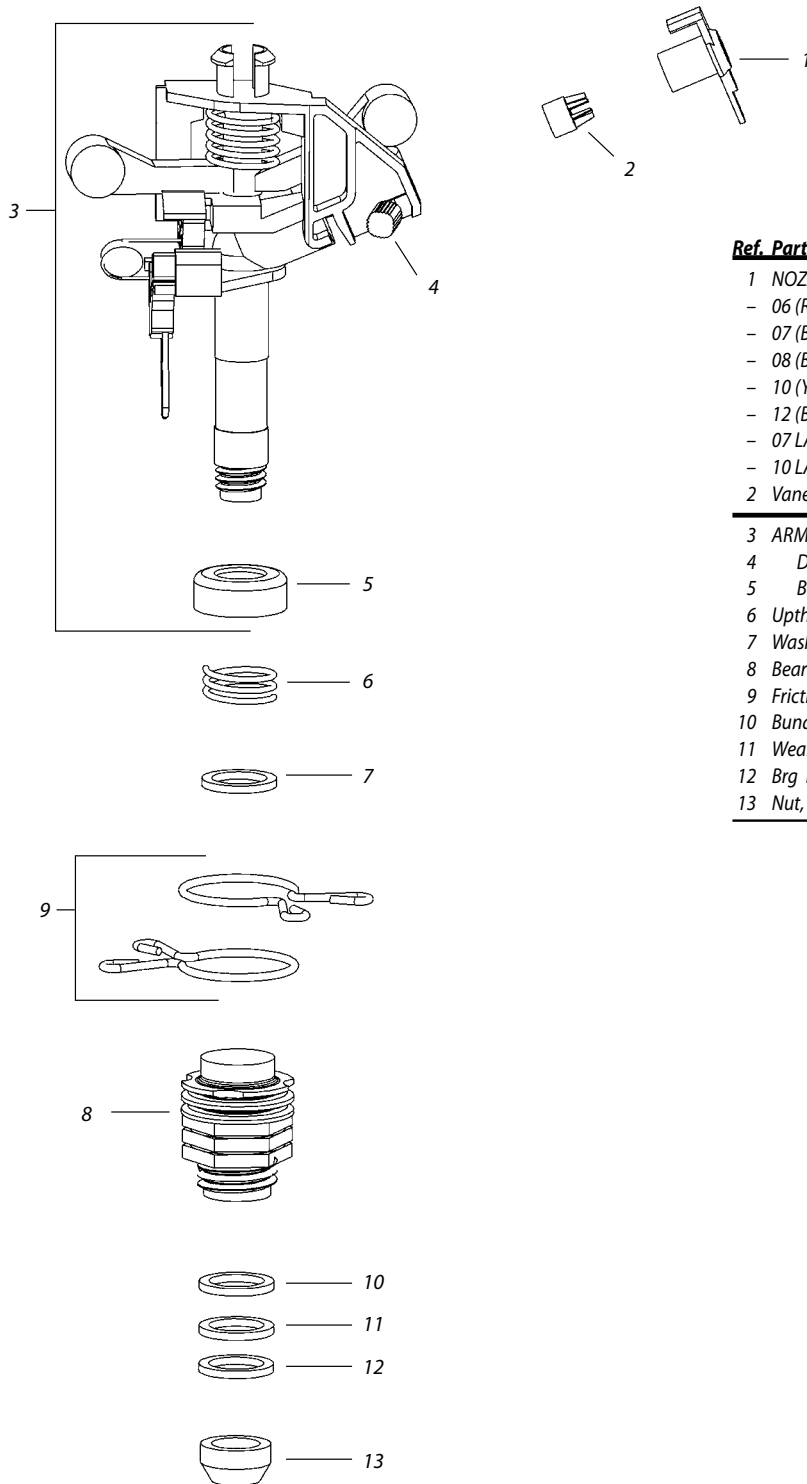
January 1, 2015



Ref.	Part Description	85EHD-LA	85EHD-LA-BSP
UPPER ASSEMBLY			
33	Fulcrum Kit	177421	177421
1	Fulcrum Pin	(100430)	(100430)
9	Washer	(100432)	(100432)
2	Hood Arm	(108556)	(108556)
3	Arm Spring Assy HD (With Spoon)	177471	177471
4	Arm Spring	(100431)	(100431)
5	Detachable Spoon Kit HD	113878	113878
6	Screw (2)	(111204-02)	(111204-02)
7	Washer (2)	(111809)	(111809)
8	Spoon	(111804)	(111804)
TRIP MECHANISM			
10	Trip Arm, Upper	108318	108318
12	Trip Arm, Lower	111129	111129
13	Trip Hardware Kit	179992	179992
11	Trip Spring	(112858)	(112858)
14	Spacer Washer	(231077)	(231077)
15	E-Ring	(231078)	(231078)
35	Trip Hood (2)	(111812)	(111812)
16	Trip Shaft	(108321)	(108321)
NOZZLES (Specify nozzle size when ordering)			
17	Range Nozzle	103043xx	103043xx
18	Body Vane	101275	101275
18	Low Pressure Nozzle	108149xx	108149xx
19	Spreader Nozzle, 20Deg. (85ES)	—	—
BEARING ASSEMBLY			
20	Bearing Washer Kit	177474	177474
21	Seal Washer	(104638)	(104638)
22	Bearing Hood (Black)	(113098)	(113098)
23	Bearing Spring	(100449)	(100449)
24	Wear Washer, Top (Black)	(113309)	(113309)
26	Bearing Washer (Black)	(113099)	(113099)
27	Wear Washer (Orange)	(104639)	(104639)
28	Bearing Washer, Seal (Gray)	(113100)	(113100)
25	Bearing Sleeve	177515	177467
29	Bearing Nipple	177506	177506
34	Collar Kit	179993	179993
30	Friction Collars (Top)	(107959)	(107959)
31	Screw (2)	(111126)	(111126)
32	Friction Collars (Bottom)	(107960)	(107960)

Note: Part numbers enclosed in brackets () are not available individually, but may be sold in assemblies or kits.

January 1, 2015

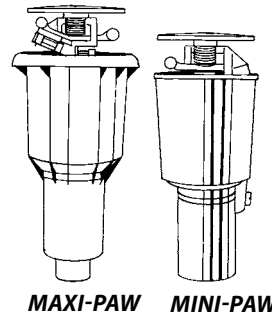
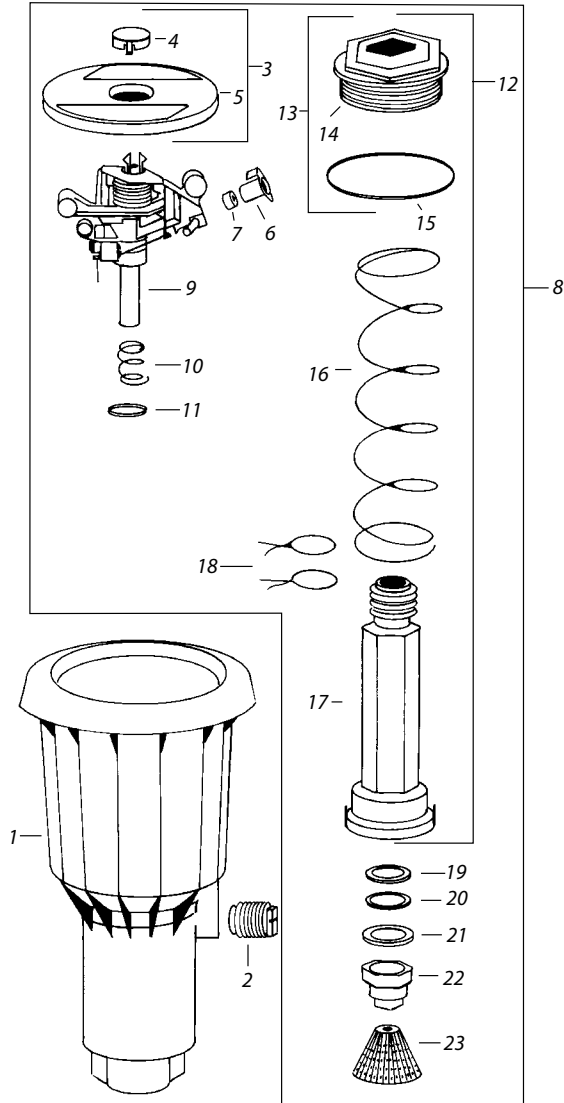


Ref.	Part Description	Maxi-Bird
1	NOZZLES (Specify nozzle size when ordering)	
-	06 (Red)	206592-06
-	07 (Black)	206592-07
-	08 (Blue)	206592-08
-	10 (Yellow)	206592-10
-	12 (Beige)	206592-12
-	07 LA (Black)	115902-07LA
-	10 LA (Yellow)	115902-10LA
2	Vane	(202141)
3	ARM/BODY ASSEMBLY	(206638-08)
4	Diffuser Screw	203933
5	Bearing Hood	(202965)
6	Upthrust Spring (P3 Bird)	(203780)
7	Washer (Blue)	(206071)
8	Bearing Sleeve	(204951)
9	Friction Collars (2)	(203148)
10	Buna N Washer (Black)	(203363)
11	Wearing Washer (White)	(204374)
12	Brg Backup Washer (Red)	(204847)
13	Nut, Maxi-Bird	(204769)

Note: Part numbers enclosed in brackets () are not available individually, but may be sold in assemblies or kits.

January 1, 2015

LG-3 / MG-4 / 15103-07/09 MINI-PAW
 AG-5 / AG-5-SAM / 2045A MAXI-PAW™ / 2045A MAXI-PAW-SAM

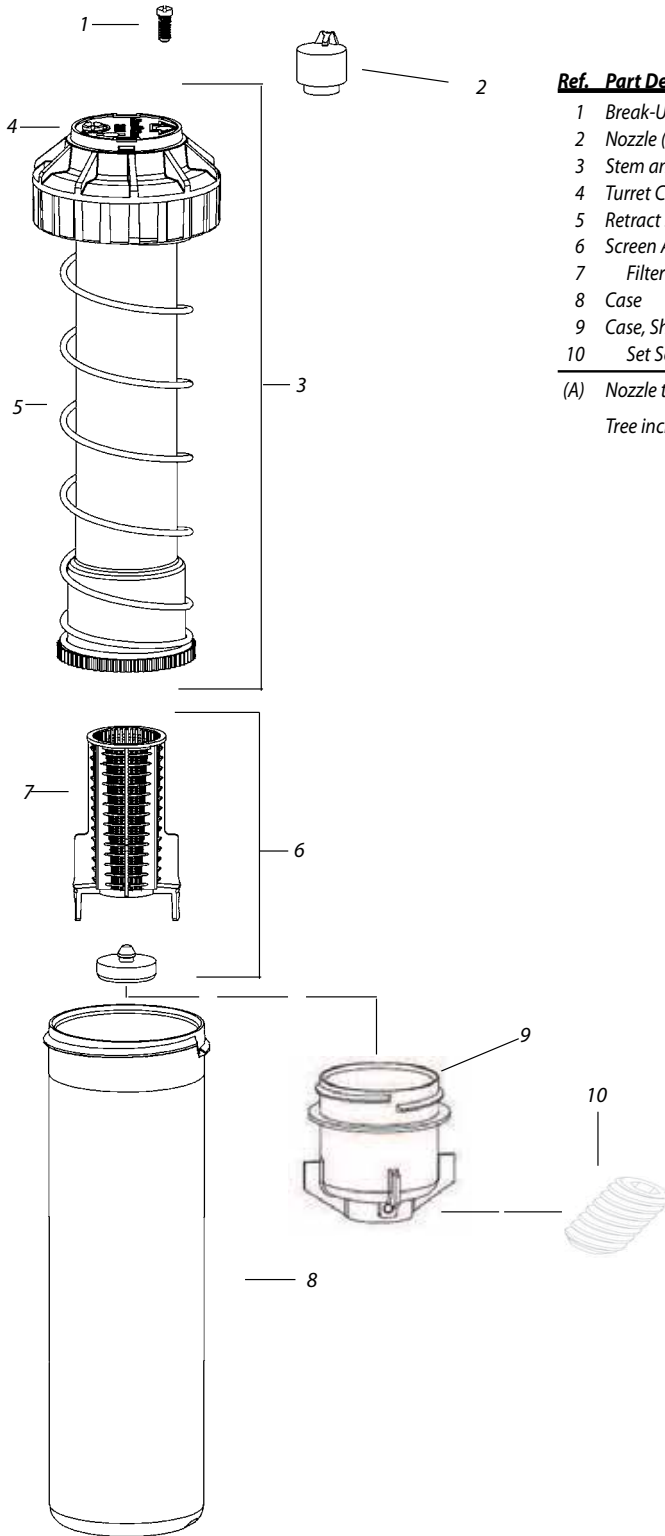


Ref. Part Description	LG-3 / MG-4	AG-5	AG-5 SAM
	Mini-Paw 15103-07/09	Maxi-Paw 2045A	Maxi-Paw-SAM 2045A-SAM
CASES			
1 Case Assembly	205175	(207281)	(207281)
2 Plug	(107355)	(107355)	(107355)
COVER ASSEMBLIES			
3 Cover Kit	206973	208001	208001
4 Dust Cap	(A) (204423-07)	(204423-12)	(204423-12)
5 Cover, Snap On	(A) (207301-03)	(207301-01)	(207301-01)
5 Cover, Non-potable	—	(208002S)	—
NOZZLES (Specify nozzle size when ordering)			
6 Low Angle Nozzle (C)	—	115902-xx	115902-xx
6 Standard Nozzle (D)	—	206592-xx	206592-xx
7 Vane	—	(202141)	(202141)
8 INTERNAL ASSEMBLY	(E) 206678	(206644-08)	(206637-08)
9 Head Assembly	(A) (206776)	(206638-08)	(206638-08)
- Diffuser Screw	203933	203933	203933
- Trip Spring	(207740)	(207740)	(207740)
- Bearing Hood	(B) (202965)	(B) (202965)	(B) (202965)
10 Uphrust Spring	(B) (203871)	(B) (203871)	(B) (203871)
11 Bearing Washer (Blue)	(B) (206071)	(B) (206071)	(B) (206071)
12 Pop-Up Sleeve Assembly	202415	202415	(204400)
13 Guide Nut Assembly	(204555)	(204555)	(204555)
14 Guide Nut	(202381)	(202381)	(202381)
15 O-Ring Seal	(202011)	(202011)	(202011)
16 Retract Spring	(202012)	(202012)	(202012)
17 Guide Sleeve	(203171)	(203171)	(203171)
18 Friction Collars (2)	(203148)	(203148)	(203148)
19 Buna N Washer (Black)	(B) (203363)	(B) (203363)	(B) (203363)
20 Wearing Washer (White)	(B) (204374)	(B) (204374)	(B) (204374)
21 Brg Backup Washer (Gray)	(B) (202138)	(B) (202138)	(B) (202138)
22 Nut, Maxi-Bird	(B) (202007)	(B) (202007)	(B) (202007)
23 Inlet Screen (Standard)	(202076)	(202076)	—
- SAM Screen/Seal Assembly	—	—	205396
- MINI-PAW WRENCH	B41866	B41866	B41866

(A) Included in Body Cover Assembly # 206974. (Specify nozzle size -07 or -09)
 (B) Included in Bearing Washer Kit # 202190.
 (C) Nozzle sizes available: -07, -10
 (D) Nozzle sizes available: -06 Red, -07 Black, -08 Blue, -10 Yellow, -12 Beige
 (E) Nozzle sizes available: -07, -09

Note: Part numbers enclosed in brackets () are not available individually, but may be sold in assemblies or kits.

January 1, 2015



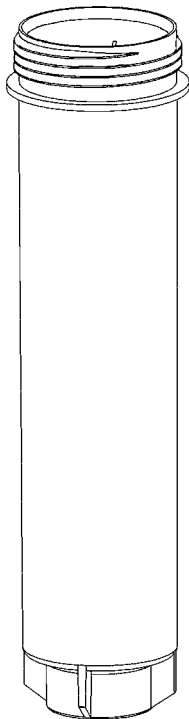
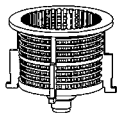
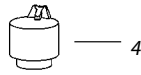
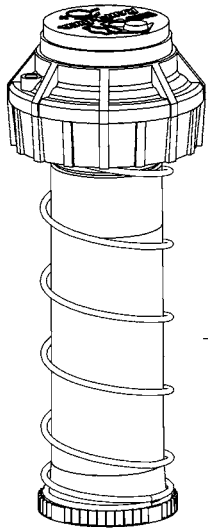
Ref.	Part Description	32SA	32SA Shrub
1	Break-Up Screw	114210	(114210)
2	Nozzle (3.0 GPM) (A)	(232226)	(232226)
3	Stem and Cover Assembly	(171150-50)	(171150-51)
4	Turret Cap	(232225)	(232225)
5	Retract Spring	(170973)	(170973)
6	Screen Assembly	—	—
7	Filter Screen	172770	172770
8	Case	(170970)	—
9	Case, Shrub	—	(172594)
10	Set Screw	—	(172487)

(A) Nozzle tree available: Y03500

Tree includes (1) .75, 1.0, 1.5, 2.0, 3.0, and 4.0 nozzle

Note: Part numbers enclosed in brackets () are not available individually, but may be sold in assemblies or kits.

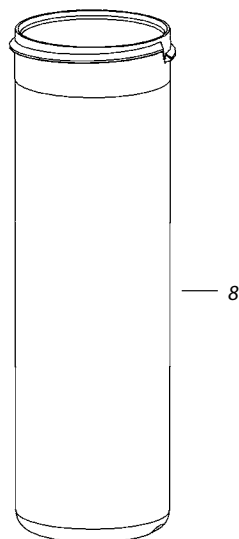
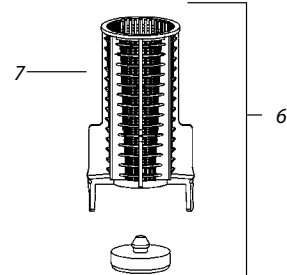
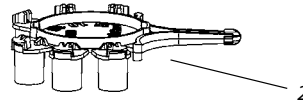
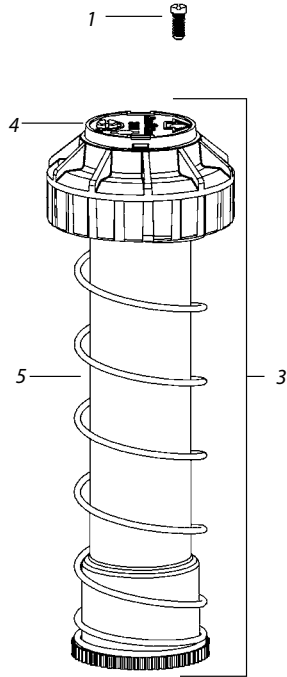
January 1, 2015



<u>Ref.</u>	<u>Part Description</u>	<u>Qty</u>	<u>42SA</u>
1	Rotor Assembly	1	(173478)
2	Filter Screen	1	170362
3	Case	1	(171033)
4	Nozzle (3.0 GPM)	1	(170934-04)

Note: Part numbers enclosed in brackets () are not available individually, but may be sold in assemblies or kits.

January 1, 2015



Ref.	Part Description	3504 PC	3504-PC-N
1	Break-Up Screw	(114210)	(114210)
2	Nozzle Tree (A)	(Y03500)	(Y03500)
3	Stem and Cover Assembly	(171150)	(171150)
4	Turret Cap	(170977-01)	(170977-01)
5	Retract Spring	(170973)	(170973)
6	Sam Screen Assembly	—	—
7	Filter Screen	(172770)	(172770)
8	Case	(170970)	(170970)

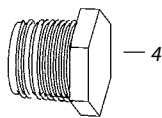
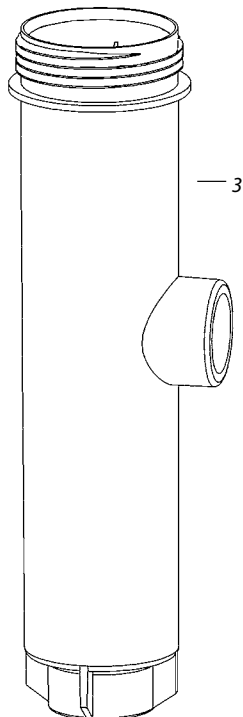
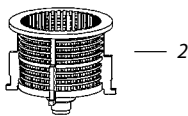
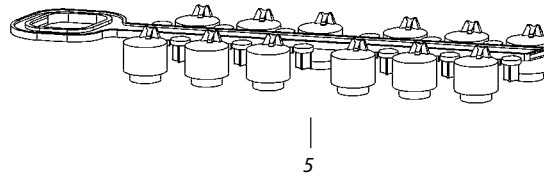
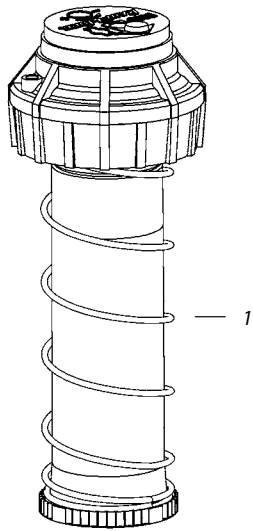
Ref.	Part Description	3504-PC-SAM	3504-PC-SAM-N
1	Break-Up Screw	(114210)	(114210)
2	Nozzle Tree (A)	(Y03500)	(Y03500)
3	Stem and Cover Assembly	(171150)	(171150)
4	Turret Cap	(170977-03)	(170977-03)
5	Retract Spring	(170973)	(170973)
6	Sam Screen Assembly	(172778)	(172778)
7	Filter Screen	—	—
8	Case	(170970)	(170970)

Ref.	Part Description	3500-S-PC	3500-S-PC-SAM
1	Break-Up Screw	(114210)	(114210)
2	Nozzle Tree (A)	(Y03500)	(Y03500)
3	Stem and Cover Assembly	(171150-29)	(171150-29)
4	Turret Cap	(170977-01)	(170977-01)
5	Retract Spring	—	—
6	Sam Screen Assembly	(172594)	(172594)
7	Filter Screen	—	—
8	Case	(170973)	(170973)

(A) Tree includes (1) .75, 1.0, 1.5, 2.0, 3.0, and 4.0 nozzle

Note: Part numbers enclosed in brackets () are not available individually, but may be sold in assemblies or kits.

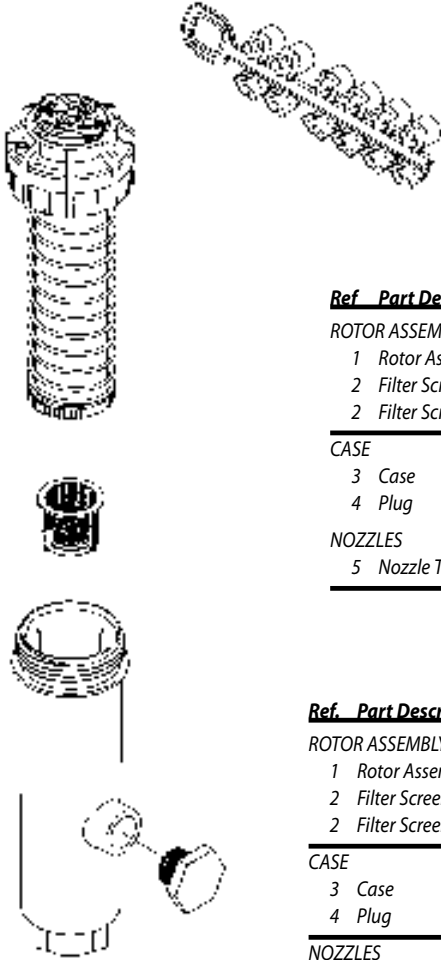
January 1, 2015



Ref.	Part Description	Qty	5000-S-PC	5000-S-FC	5004-PC	5004-FC	5006-PC	5006-FC
ROTOR ASSEMBLY								
1	Rotor Assembly - Standard	1	(172409)	(172420)	(171100)	(171441)	(171721)	(171722)
2	Filter Screen - Standard	1	170362	170362	170362	170362	170362	170362
2	Filter Screen - w/SAM	1	170452	170452	170452	170452	170452	170452
CASE								
3	Case	1	(172369)	(172369)	(171033)	171033	(114197)	(114197)
4	Plug	1	—	—	(102496)	(102496)	(102496)	(102496)

Note: Part numbers enclosed in brackets () are not available individually, but may be sold in assemblies or kits.

January 1, 2015



Ref	Part Description	Qty	UPG-PL-PC-S
ROTOR ASSEMBLY			
1	Rotor Assembly - Standard	1	
2	Filter Screen - Standard	1	170362
2	Filter Screen - SAM	1	170452
CASE			
3	Case	1	-
4	Plug	1	-
NOZZLES			
5	Nozzle Tree (various sizes)	1	Y04500

Ref.	Part Description	Qty	5000PL-S-PC	5000PL-S-FC	5004PL-PC	5004PL-FC
ROTOR ASSEMBLY						
1	Rotor Assembly - Standard	1				
2	Filter Screen - Standard	1	170362	170362	170362	170362
2	Filter Screen - SAM	1	170452	170452	170452	170452
CASE						
3	Case	1				
4	Plug	1	-	-	-	-
NOZZLES						
5	Nozzle Tree (various sizes)	1	Y04500	Y04500	Y04500	Y04500

Ref.	Part Description	Qty	5006PL-PC	5006PL-FC	5012PL-PC	5012PL-FC
ROTOR ASSEMBLY						
1	Rotor Assembly - Standard	1				
2	Filter Screen - Standard	1	170362	170362	170362	170362
2	Filter Screen - SAM	1	170452	170452	170452	170452
CASE						
3	Case	1				
4	Plug	1	(102496)	(102496)	(102496)	(102496)
NOZZLES						
5	Nozzle Tree (various sizes)	1	Y04500	Y04500	Y04500	Y04500

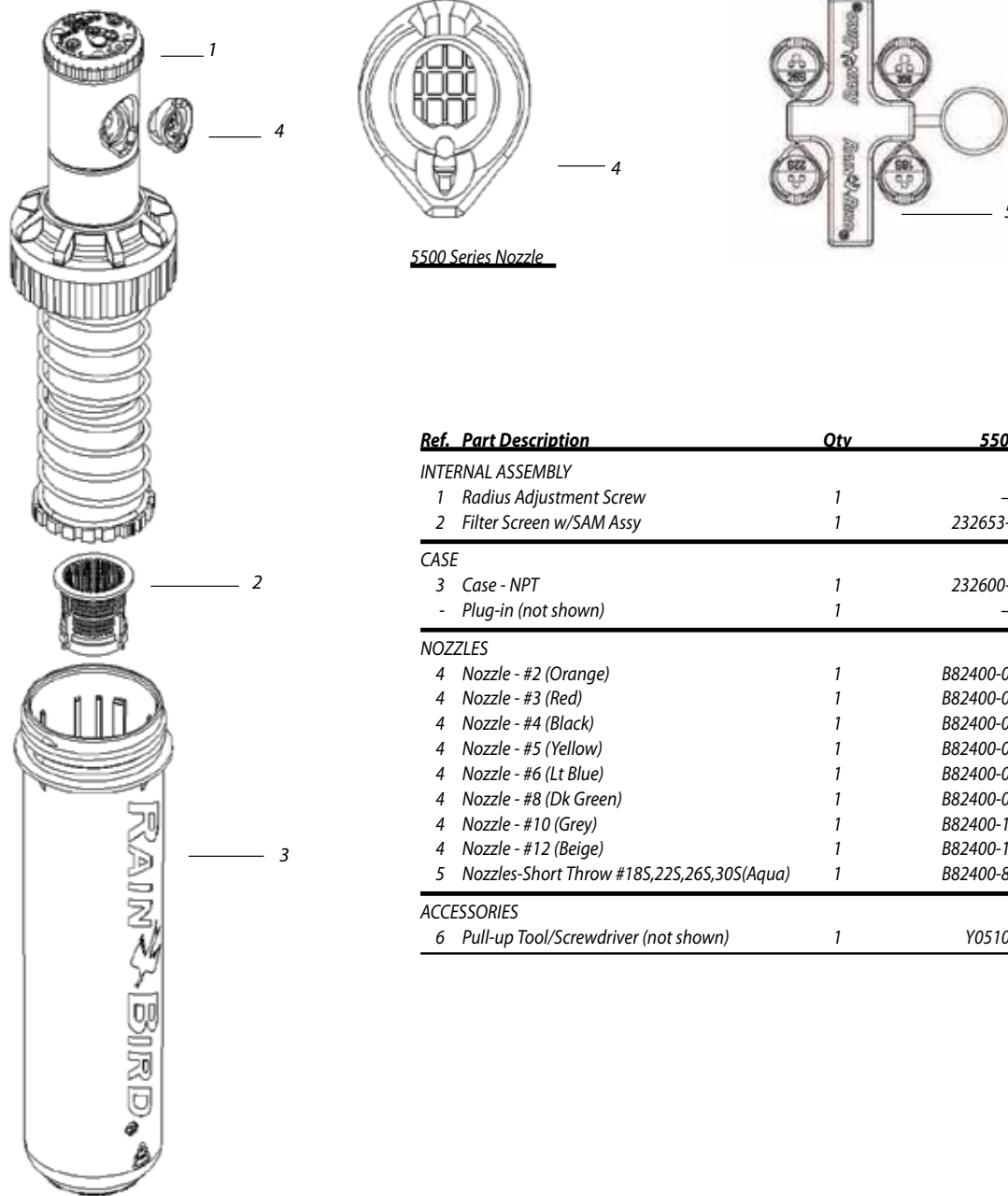
Note: Part numbers enclosed in brackets () are not available individually, but may be sold in assemblies or kits.

January 1, 2015



Your Irrigation Superstore
 Email: irrigate@schumacherirrigation.com
 www.schumacherirrigation.com

Toll Free: 800-246-3685
 Phone: 402-246-3685
 Fax: 402-246-2072

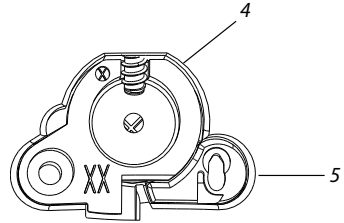
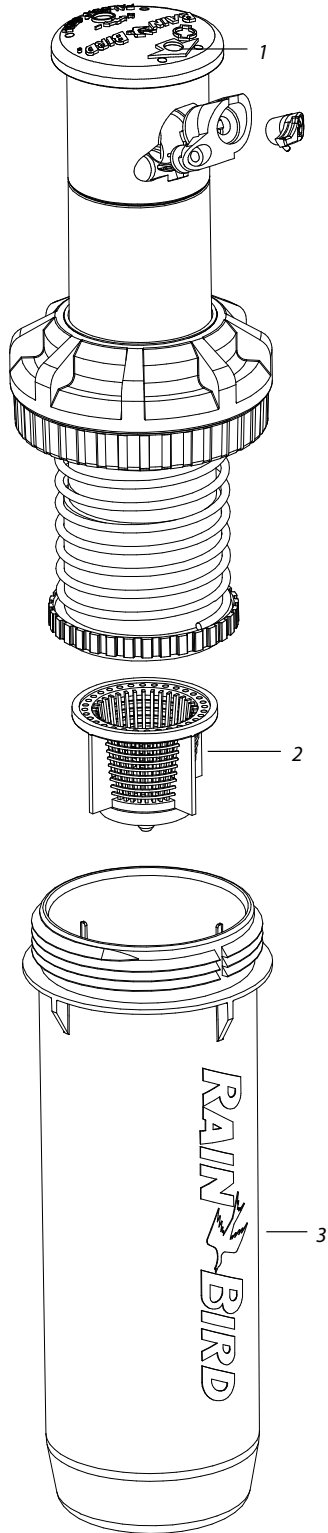


5500 Series Nozzle

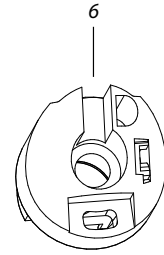
Ref.	Part Description	Qty	5505	5512
INTERNAL ASSEMBLY				
1	Radius Adjustment Screw	1	—	—
2	Filter Screen w/SAM Assy	1	232653-S	232653-S
CASE				
3	Case - NPT	1	232600-S	(114198)
-	Plug-in (not shown)	1	—	102496
NOZZLES				
4	Nozzle - #2 (Orange)	1	B82400-02	B82400-02
4	Nozzle - #3 (Red)	1	B82400-03	B82400-03
4	Nozzle - #4 (Black)	1	B82400-04	B82400-04
4	Nozzle - #5 (Yellow)	1	B82400-05	B82400-05
4	Nozzle - #6 (Lt Blue)	1	B82400-06	B82400-06
4	Nozzle - #8 (Dk Green)	1	B82400-08	B82400-08
4	Nozzle - #10 (Grey)	1	B82400-10	B82400-10
4	Nozzle - #12 (Beige)	1	B82400-12	B82400-12
5	Nozzles-Short Throw #18S,22S,26S,30S(Aqua)	1	B82400-89	B82400-89
ACCESSORIES				
6	Pull-up Tool/Screwdriver (not shown)	1	Y05100	Y05100

Note: Part numbers enclosed in brackets () are not available individually, but may be sold in assemblies or kits.

January 1, 2015



Falcon 6504
Rain Curtain™ Nozzles
(rotors built 09/27/99 and after)



Falcon "Original"
Rain Curtain Nozzles
(rotors built prior to 09/27/99)

Falcon 6504 Rain Curtain Nozzles (rotors built 09/27/99 and after)

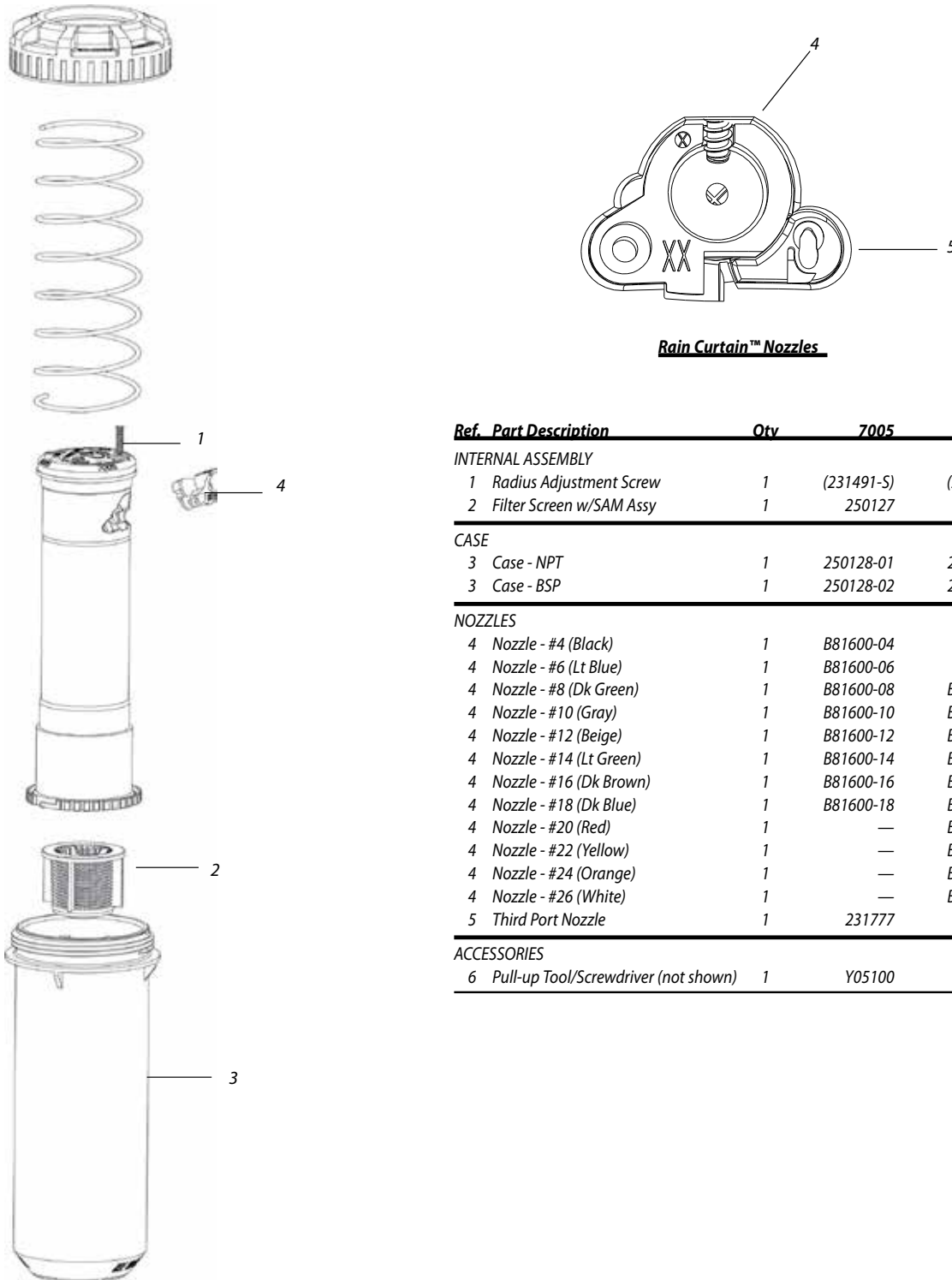
Ref.	Part Description	Qty	Part Number
INTERNAL COMPONENTS			
1	Radius Adjustment Screw	1	(231491-S)
2	Filter Screen w/SAM Assy	1	209702
CASE			
3	Case - NPT	1	(231420-01)
3	Case - BSP	1	(231420-02)
NOZZLES			
4	Nozzle - #4 (Black)	1	B81600-04
4	Nozzle - #6 (Lt Blue)	1	B81600-06
4	Nozzle - #8 (Dk Green)	1	B81600-08
4	Nozzle - #10 (Gray)	1	B81600-10
4	Nozzle - #12 (Beige)	1	B81600-12
4	Nozzle - #14 (Lt Green)	1	B81600-14
4	Nozzle - #16 (Dk Brown)	1	B81600-16
4	Nozzle - #18 (Dk Blue)	1	B81600-18
5	Third Port Nozzle	1	231777

Falcon "Original" Rain Curtain Nozzles (rotors built prior to 09/27/99)

Ref.	Part Description	Qty	Part Number
INTERNAL COMPONENTS			
1	Radius Adjustment Screw	1	208751
2	Filter Screen w/SAM Assy	1	209702
CASE			
3	Case - NPT	1	(231420-01)
3	Case - BSP	1	(231420-02)
NOZZLES			
6	Nozzle - #4 (Black)	1	B00500-04
6	Nozzle - #6 (Lt Blue)	1	B00500-06
6	Nozzle - #8 (Dk Green)	1	B00500-08
6	Nozzle - #10 (Gray)	1	B00500-10
6	Nozzle - #12 (Beige)	1	B00500-12
6	Nozzle - #14 (Lt Green)	1	B00500-14
6	Nozzle - #16 (Dk Brown)	1	B00500-16
6	Nozzle - #18 (Dk Blue)	1	B00500-18

Note: Part numbers enclosed in brackets () are not available individually, but may be sold in assemblies or kits.

January 1, 2015

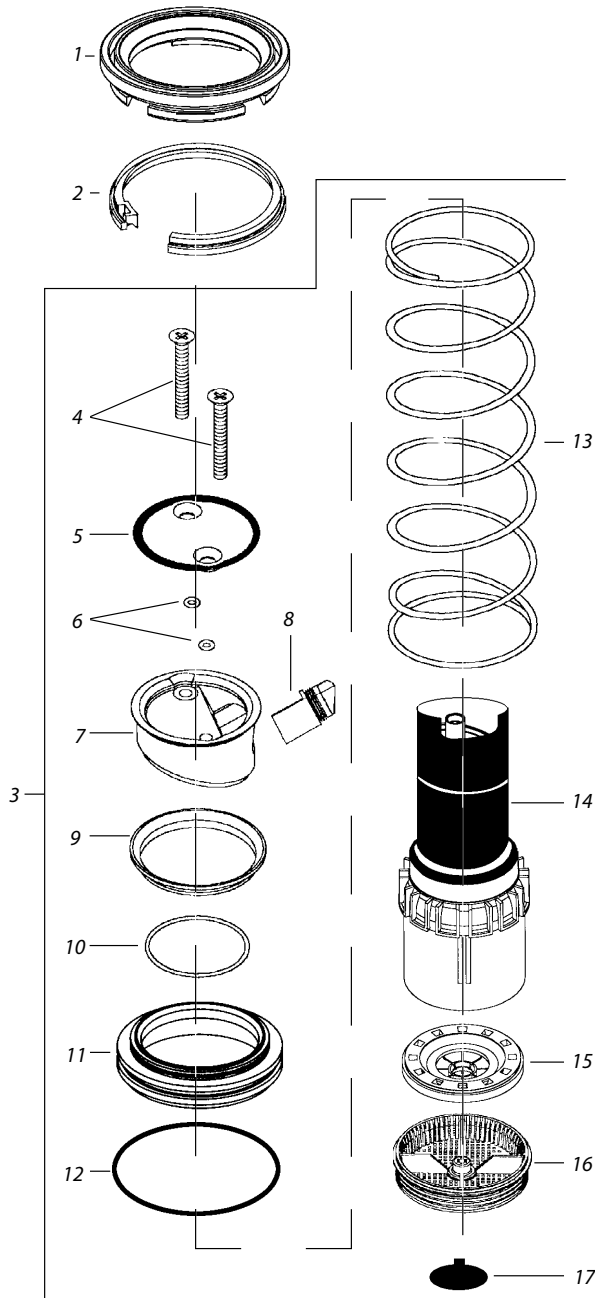


Rain Curtain™ Nozzles

Ref.	Part Description	Qty	7005	8005
INTERNAL ASSEMBLY				
1	Radius Adjustment Screw	1	(231491-S)	(231491-S)
2	Filter Screen w/SAM Assy	1	250127	250127
CASE				
3	Case - NPT	1	250128-01	250128-01
3	Case - BSP	1	250128-02	250128-02
NOZZLES				
4	Nozzle - #4 (Black)	1	B81600-04	—
4	Nozzle - #6 (Lt Blue)	1	B81600-06	—
4	Nozzle - #8 (Dk Green)	1	B81600-08	B81600-08
4	Nozzle - #10 (Gray)	1	B81600-10	B81600-10
4	Nozzle - #12 (Beige)	1	B81600-12	B81600-12
4	Nozzle - #14 (Lt Green)	1	B81600-14	B81600-14
4	Nozzle - #16 (Dk Brown)	1	B81600-16	B81600-16
4	Nozzle - #18 (Dk Blue)	1	B81600-18	B81600-18
4	Nozzle - #20 (Red)	1	—	B81600-20
4	Nozzle - #22 (Yellow)	1	—	B81600-22
4	Nozzle - #24 (Orange)	1	—	B81600-24
4	Nozzle - #26 (White)	1	—	B81600-26
5	Third Port Nozzle	1	231777	231777
ACCESSORIES				
6	Pull-up Tool/Screwdriver (not shown)	1	Y05100	Y05100

Note: Part numbers enclosed in brackets () are not available individually, but may be sold in assemblies or kits.

January 1, 2015

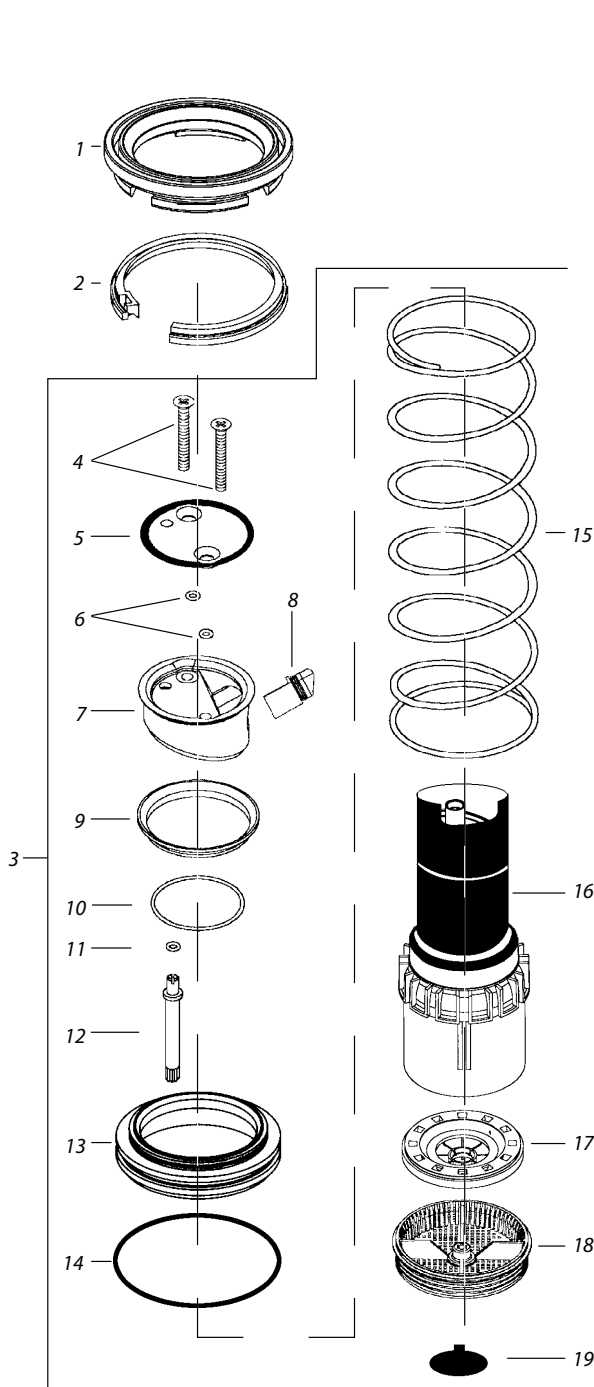


Ref.	Part Description	Qty.	TA-80-FC
SNAP RINGS			
1	Cover, Snap Ring - Rubber (A)	1	—
2	Snap Ring, Upper	1	211298
INTERNAL ASSEMBLY			
3	Internal Assembly (B)	1	211368-xx
COVER ASSEMBLY			
4	Screw, # 10 - 24	2	210974
5	Cover, Housing - Rubber (A)	1	—
6	O-Ring, Screw # 10	2	211236
NOZZLES			
7	Housing, Nozzle - Black	1	210356-02
—	Nozzle/Stator Kit (C)	1	211634-xx
8	Nozzle Assembly, Range	1	—
15	Stator	1	—
15	Valve Poppet	1	210405
BEARING / RISER-MOTOR ASSEMBLY			
9	Seal, Retract	1	210354
10	O-Ring, Nozzle Housing	1	210366
11	Guide, Bearing Assy, STD	1	211147
12	O-Ring, Bearing Guide	1	211242
13	Spring, Retract	1	(210364)
14	Riser Motor Assembly	1	—
16	Screen	1	210403
17	Stopmatic Assembly	1	211292
CASE ASSEMBLIES			
18	Cover, Case - Rubber (A)	1	—
19	Case Assembly (NPT)	1	211489-01
19	Case Assembly (BSP)	1	211489-02
KITS & ACCESSORIES			
—	Diffuser Screw Kit	1	(211994)
5	Purple Cover - Non-Potable	1	(211932-04)

(A) Included in Rubber Cover Kit # 211367-01.
 (B) Specify Nozzle Size when ordering.
 Available in # 14, 16, 18, 20, 22, and 24.
 (C) Available in # 12, 16, 24

Note: Part numbers enclosed in brackets () are not available individually, but may be sold in assemblies or kits.

January 1, 2015

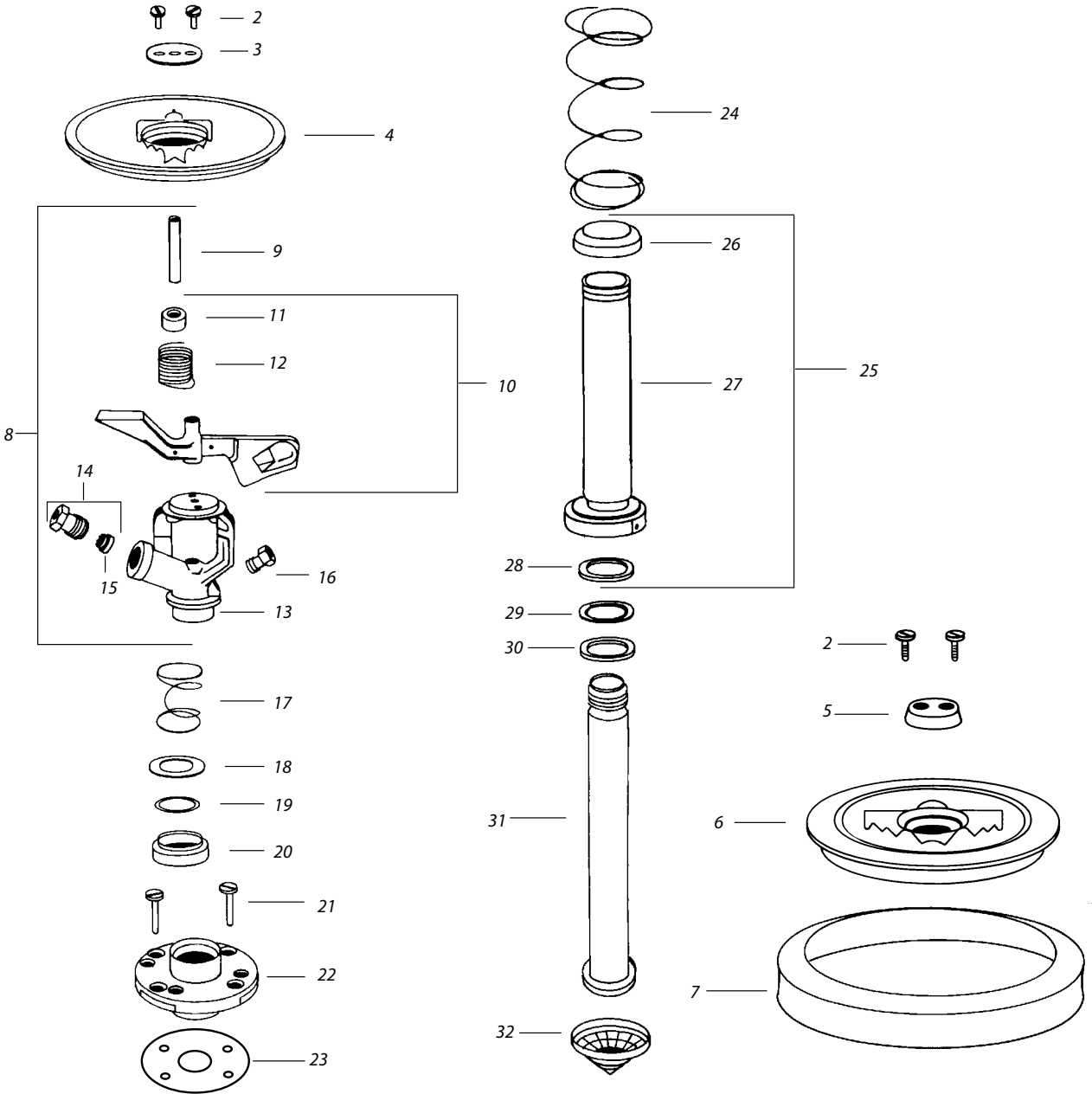


Ref.	Part Description	Qty.	TA-85-PC
SNAP RINGS			
1	Cover, Snap Ring - Rubber (A)	1	—
2	Snap Ring, Upper	1	211298
INTERNAL ASSEMBLY			
3	Internal Assembly (B)	1	211369-xx
COVER ASSEMBLY			
4	Screw, # 10 - 24	2	210974
5	Cover, Housing - Rubber (A)	1	—
6	O-Ring, Screw # 10	2	211236
NOZZLES			
7	Housing, Nozzle - Black	1	210356-01
-	Nozzle/Stator Kit (C)	1	211634-xx
8	Nozzle Assembly, Range	1	—
17	Stator	1	—
17	Valve Poppet	1	210405
BEARING / RISER-MOTOR ASSEMBLY			
10	O-Ring, Nozzle Housing	1	210366
11	O-Ring, Arc Adjustment Stem	1	211236
12	Arc Adjustment Stem	1	210420
13	Guide, Bearing Assy, STD	1	211147
14	O-Ring, Bearing Guide	1	211242
15	Spring, Retract	1	(210364)
16	Riser Motor Assembly	1	—
9	Seal, Retract	1	210354
18	Screen	1	210403
19	Stopamatic Assembly	1	211292
CASE ASSEMBLIES			
20	Cover, Case - Rubber (A)	1	—
21	Case Assembly (NPT)	1	211489-01
21	Case Assembly (BSP)	1	211489-02
KITS & ACCESSORIES			
-	Diffuser Screw Kit (D)	1	211927-xx
5	Purple Cover - Non-Potable	1	211932-05

- (A) Included in Rubber Cover Kit # 211367-01.
- (B) Specify Nozzle Size when ordering.
Available in # 14, 16, 18, 20, 22, and 24.
- (C) Available in # 14, 24, 28
- (D) Available in # 12, 16, 24

Note: Part numbers enclosed in brackets () are not available individually, but may be sold in assemblies or kits.

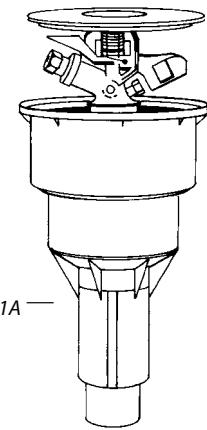
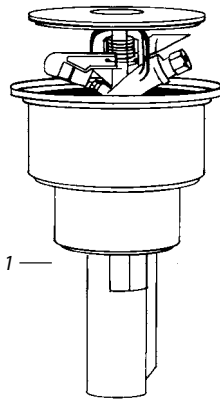
January 1, 2015



Note: Part numbers enclosed in brackets () are not available individually, but may be sold in assemblies or kits.

January 1, 2015

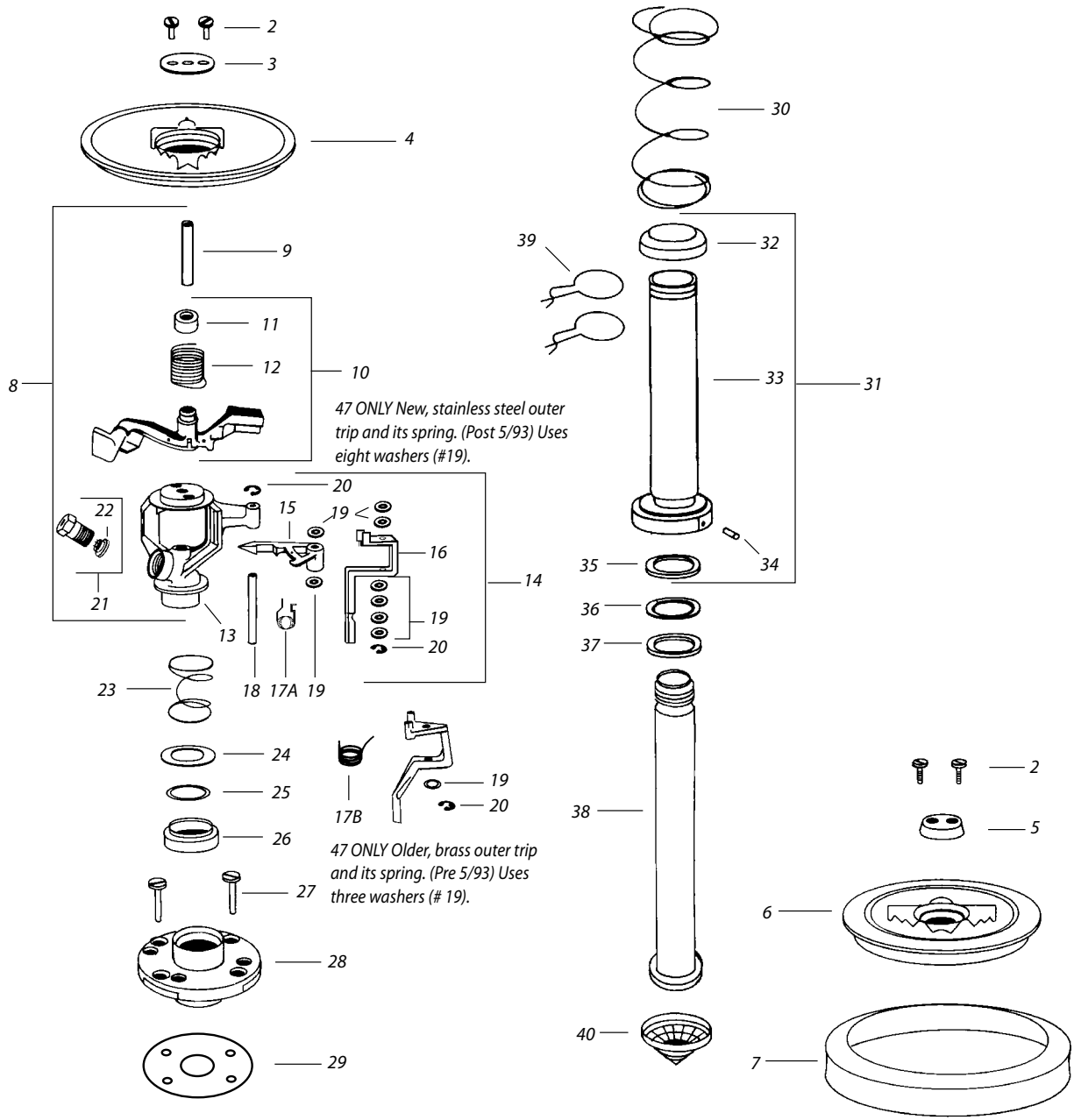
Ref.	Part Description	21A 21A-RC	31A 31A-RC	41-51A 41-51A-RC	21AP 21AP-RC	31AP 31AP-RC	41-51AP 41-51AP-RC
CASES							
1	Iron Case (NPT)	208512	208512	208512	—	—	—
1	Iron Case (BSP)	(202161)	(202161)	(202161)	—	—	—
1A	Plastic Case (NPT)	—	—	—	203789-01	203789-01	203789-01
1A	Plastic Case (BSP)	—	—	—	203789-02	203789-02	203789-02
COVER ASSEMBLIES							
2	Cover Screws, Standard	200974	200974	200974	200974	200974	200974
3	Retainer, Steel	200740	200740	200740	200740	200740	200740
4	Aluminum Cover	200415	200415	200415	(C) (201925)	(C) (201925)	(C) (201925)
4	Plastic Cover	—	—	—	208227	208227	208227
5	Retainer, Rubber	200741	200741	200741	200741	200741	200741
6	Rubber Cover	200500	200500	200500	200500	200500	200500
7	Rubber Case Ring	200053	200053	200053	200053	200053	200053
—	Cover Screws, (Vandal Resistant)	200829	200829	200829	200829	200829	200829
INTERNAL ASSEMBLY (#8 – #32)		200121-10	200125-14	200133-14-11	200121-10	200125-14	200133-14-11
UPPER ASSEMBLY							
8	Arm/Body Assembly	200118-10	200124-14	200132-14-11	200118-10	200124-14	200132-14-11
9	Fulcrum Pin	200025	200025	200076	200025	200025	200076
10	Arm Spring Assembly	(203723)	(203727)	(203728)	(203723)	(203727)	(203728)
11	Arm Hood	200924	200924	200924	200924	200924	200924
12	Arm Spring	200027	200089	202384	200027	200089	202384
13	Body	(200026)	(200026)	(200101)	(200026)	(200026)	(200101)
NOZZLES (Specify nozzle size when ordering.)							
—	ADJ Nozzle Assembly	201559	201559	—	201559	201559	—
—	Spring	100136	100136	—	100136	100136	—
—	Adjustment Pin	100203	100203	—	100203	100203	—
14	Plastic Range Nozzle	—	—	211203	—	—	211203
14	Brass Range Nozzle Assembly	—	—	(200778)	—	—	(200778)
15	Vane	—	—	(201230)	—	—	(201230)
16	Special Drive Nozzle	—	—	201108	—	—	201108
BEARING ASSEMBLY							
17	Bearing Spring	(A)(200029)	(A)(200029)	(A)(200029)	(A)(200029)	(A)(200029)	(A)(200029)
18	Steel Top Seal Washer	(A)(200030)	(A)(200030)	(A)(200030)	(A)(200030)	(A)(200030)	(A)(200030)
19	PTFE Top Seal Wshr (Wht)	(B)(200031)	(B)(200031)	(B)(200031)	(B)(200031)	(B)(200031)	(B)(200031)
20	Buna-N Guide Seal (Blk)	(A)(200042)	(A)(200042)	(A)(200042)	(A)(200042)	(A)(200042)	(A)(200042)
21	Guide Screws	200967	200967	200967	(206453)	(206453)	(206453)
22	Bearing Guide	202166	202166	202166	202166	202166	202166
23	Bearing Guide Gasket	200044	200044	200044	206261	206261	206261
24	Retract Spring	201113	201113	201113	201113	201113	201113
25	Bearing Sleeve Assembly	202068	202068	202068	202068	202068	202068
26	Buna-N Lower Seal (Blk)	(B)(200036)	(B)(200036)	(B)(200036)	(B)(200036)	(B)(200036)	(B)(200036)
27	Bearing Sleeve	(202049)	(202049)	(202049)	(202049)	(202049)	(202049)
28	Wear Ring (Gold)	(B)(201608)	(B)(201608)	(B)(201608)	(B)(201608)	(B)(201608)	(B)(201608)
29	PTFE Speed Washer (White)	(B)(202169)	(B)(202169)	(B)(202169)	(B)(202169)	(B)(202169)	(B)(202169)
30	Buna-N Washer Seal (Gray)	(B)(201562)	(B)(201562)	(B)(201562)	(B)(201562)	(B)(201562)	(B)(201562)
31	Bearing Nipple	200037	200037	200037	200037	200037	200037
32	Inlet Screen	200006	200006	200006	200006	200006	200006



(A) Included in Upper Bearing Washer Kit # 203731.
 (B) Included in Bearing Washer Kit # 203732.
 (C) Available through Rain Bird Service Center 626-812-5710 FAX 626-812-5716

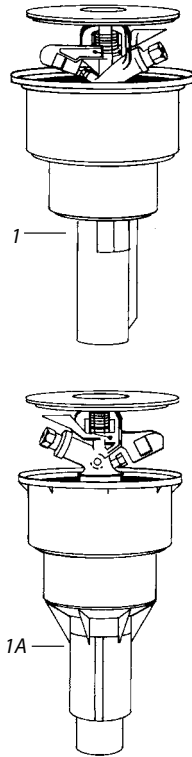
Note: Part numbers enclosed in brackets () are not available individually, but may be sold in assemblies or kits.

January 1, 2015



Note: Part numbers enclosed in brackets () are not available individually, but may be sold in assemblies or kits.

January 1, 2015

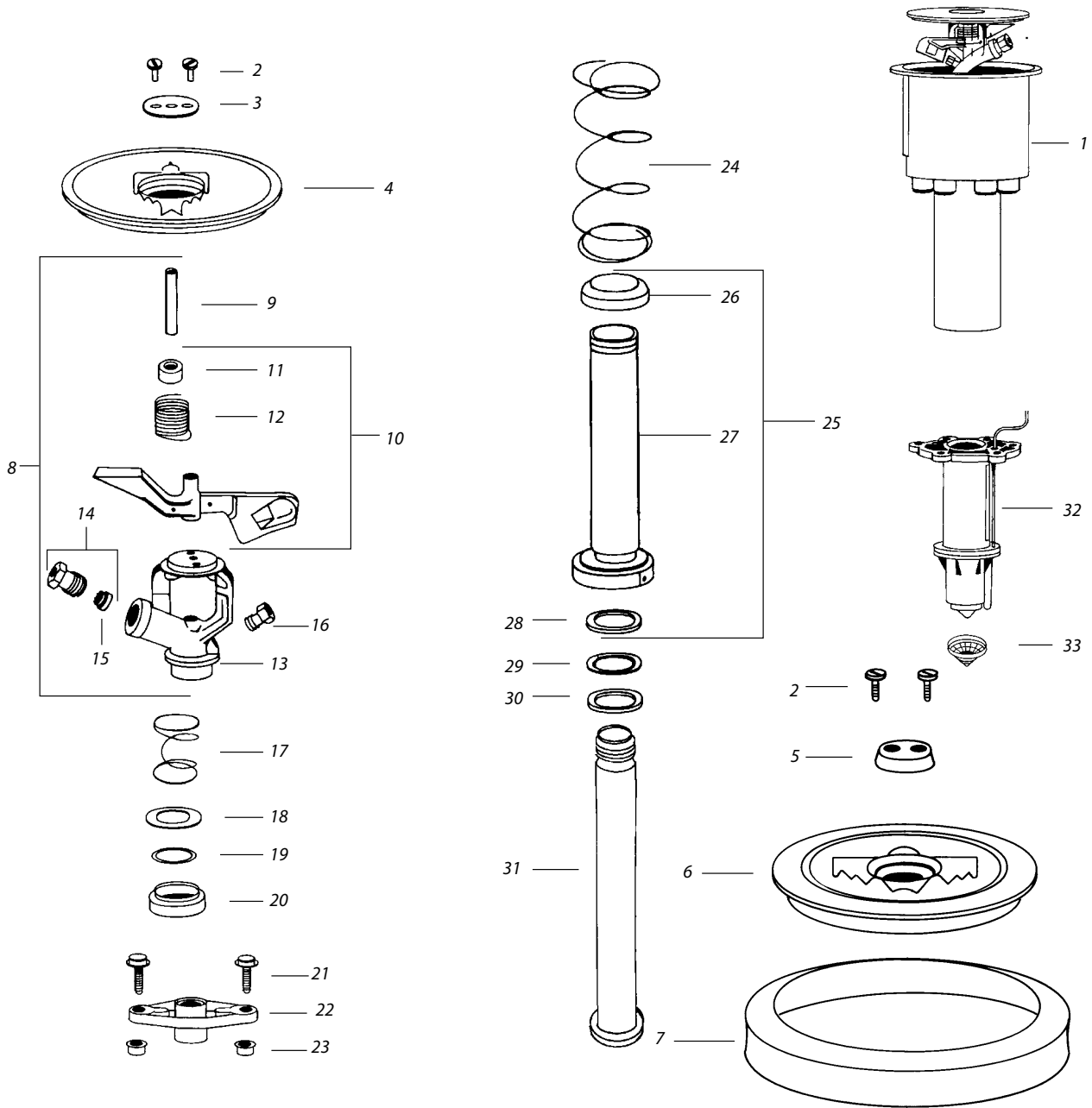


Ref.	Part Description	27A 27ARC	37A 37ARC	47A 47ARC	27AP 27APRC	37AP 37APRC	47AP 47APRC
CASES							
1	Iron Case (NPT)	208512	208512	208512	—	—	—
1	Iron Case (BSP)	(202161)	(202161)	(202161)	—	—	—
1A	Plastic Case (NPT)	—	—	—	203789-01	203789-01	203789-01
1A	Plastic Case (BSP)	—	—	—	203789-02	203789-02	203789-02
COVER ASSEMBLIES							
2	Cover Screws, Standard	200974	200974	200974	200974	200974	200974
3	Retainer, Steel	200740	200740	200740	200740	200740	200740
4	Aluminum Cover	200415	200415	200415	(D) (201925)	(D) (201925)	(D) (201925)
4	Plastic Cover	—	—	—	208227	208227	208227
5	Retainer, Rubber	200741	200741	200741	200741	200741	200741
6	Rubber Cover	200500	200500	200500	200500	200500	200500
7	Rubber Case Ring	200053	200053	200053	200053	200053	200053
—	Cover Screws, Vandal Resistant	200829	200829	200829	200829	200829	200829
INTERNAL ASSEMBLY (#8 – #40)		202061-10	200127-14	200131-16	202061-10	200127-14	200131-16
UPPER ASSEMBLY							
8	Arm/Body Assembly	202062-10	200126-14	200130-16	202062-10	200126-14	200130-16
9	Fulcrum Pin	200025	200025	200076	200025	200025	200076
10	Arm Spring Assembly	(203723)	(203724)	(203725)	(203723)	(203724)	(203725)
11	Arm Hood	200924	200924	200924	200924	200924	200924
12	Arm Spring	200027	200089	200089	200027	200089	200089
13	Body	(200055)	(200055)	(200092)	(200055)	(200055)	(200092)
TRIP MECHANISM (Included in Arm/Body Assembly)							
14	Trip Assembly	(203718)	(203718)	(203719)	(203718)	(203718)	(203719)
15	Inner Trip	200060	200060	200060	200060	200060	200060
16	Outer Trip	(200059)	(200059)	(210251)	(200059)	(200059)	(210251)
17A	Trip Spring	(207900)	(207900)	209363	(207900)	(207900)	209363
17B	Trip Spring (For Brass Outer Trip)	—	—	(207900)	—	—	(207900)
18	Trip Shaft	200061	200061	201932	200061	200061	201932
19	Spacer Washers (2-27,37)(8-47)	201933	201933	201933	201933	201933	201933
20	E-Ring (1)	—	—	200975	—	—	200975
NOZZLES (A) (Included in Arm/Body Assembly) (Specify nozzle size when ordering.)							
—	ADJ Nozzle Assembly	201559	201559	—	201559	201559	—
—	Spring	100136	100136	—	100136	100136	—
—	Adjustment Pin	100203	100203	—	100203	100203	—
21	Range Nozzle Assembly	—	—	200079	—	—	200079
22	Vane	—	—	202143	—	—	202143
BEARING ASSEMBLY							
23	Bearing Spring	(B) (200029)	(B) (200029)	(B) (200029)	(B) (200029)	(B) (200029)	(B) (200029)
24	Steel Top Seal Washer	(B) (200030)	(B) (200030)	(B) (200030)	(B) (200030)	(B) (200030)	(B) (200030)
25	PTFE Top Seal Washer (White)	(C) (200031)	(C) (200031)	(C) (200031)	(C) (200031)	(C) (200031)	(C) (200031)
26	Buna-N Guide Seal (Black)	(B) (200042)	(B) (200042)	(B) (200042)	(B) (200042)	(B) (200042)	(B) (200042)
27	Guide Screws	200967	200967	200967	(206453)	(206453)	(206453)
28	Bearing Guide	202166	202166	202166	202166	202166	202166
29	Bearing Guide Gasket	200044	200044	200044	206261	206261	206261
30	Retract Spring	201113	201113	201113	201113	201113	201113
31	Bearing Sleeve Assembly	202068	202068	202068	202068	202068	202068
32	Buna-N Lower Seal (Black)	(C) (200036)	(C) (200036)	(C) (200036)	(C) (200036)	(C) (200036)	(C) (200036)
33	Bearing Sleeve	(202049)	(202049)	(202049)	(202049)	(202049)	(202049)
34	Bearing Sleeve Pin	200064	200064	200064	200064	200064	200064
35	Wear Ring (Gold)	(C) (201608)	(C) (201608)	(C) (201608)	(C) (201608)	(C) (201608)	(C) (201608)
36	PTFE Speed Washer (White)	(C) (202169)	(C) (202169)	(C) (202169)	(C) (202169)	(C) (202169)	(C) (202169)
37	Buna-N Washer Seal (Gray)	(C) (201562)	(C) (201562)	(C) (201562)	(C) (201562)	(C) (201562)	(C) (201562)
38	Bearing Nipple	200037	200037	200037	200037	200037	200037
39	Friction Collars	200164	200164	200164	200164	200164	200164
—	Friction Collars, Locking	(200828)	(200828)	(200828)	(200828)	(200828)	(200828)
40	Inlet Screen 200006	200006	200006	200006	200006	200006	200006

(B) Included in Bearing Spring Washer Kit # 203731.
 (C) Included in Bearing Washer Kit # 203732.
 (D) Available through Rain Bird Service Center
 877-727-8772
 FAX 626-812-5716

Note: Part numbers enclosed in brackets () are not available individually, but may be sold in assemblies or kits.

January 1, 2015



Note: Part numbers enclosed in brackets () are not available individually, but may be sold in assemblies or kits.

January 1, 2015



Ref.	Part Description	21ASAM 21ASAM-RC	31ASAM 31ASAM-RC	41-51ASAM 41-51ASAM-RC	21A-VIH-E 21A-VIH-E-RC	31A-VIH-E 31A-VIH-E-RC	41-51A-VIH-E 41-51A-VIH-E-RC
CASES							
1	1" Plastic Case (NPT)	201283-01	201283-01	201283-01	—	—	—
1	1" Plastic Case (BSP)	—	—	—	—	—	—
COVER ASSEMBLIES							
2	Cover Screws, Standard	200974	200974	200974	200974	200974	200974
3	Retainer, Steel	200740	200740	200740	200740	200740	200740
4	Aluminum Cover	—	—	—	—	—	—
4	Plastic Cover	—	—	—	—	—	—
5	Retainer, Rubber	—	—	—	—	—	—
6	Rubber Cover	—	—	—	—	—	—
7	Rubber Case Ring	—	—	—	—	—	—
—	Cover Screws, Vandal Resistant	—	—	—	—	—	—
INTERNAL ASSEMBLY		—	—	201254-14-11	—	—	201254-14-11
UPPER ASSEMBLY							
8	Arm/Body Assembly	—	—	—	—	—	—
9	Fulcrum Pin	200025	200025	200076	200025	200025	200076
10	Arm Spring Assembly	—	—	—	—	—	—
11	Arm Hood	—	—	—	—	—	—
12	Arm Spring	200027	200089	202384	200027	200089	202384
13	Body	—	—	—	—	—	—
NOZZLES (Specify nozzle size when ordering.)							
—	ADJ Nozzle Assembly	—	—	—	—	—	—
—	Spring	100136	100136	—	100136	100136	—
—	Adjustment Pin	100203	100203	—	100203	100203	—
14	Plastic Range Nozzle	—	—	(A) 211203-xx	—	—	(A) 211203-xx
14	Range Nozzle Assembly	—	—	—	—	—	—
15	Vane	—	—	—	—	—	—
16	Special Drive Nozzle	—	—	(B) 201108-xx	—	—	(B) 201108-xx
BEARING ASSEMBLY							
17	Bearing Spring	(C)	(C)	(C)	(C)	(C)	(C)
18	Steel Top Seal Washer	(C)	(C)	(C)	(C)	(C)	(C)
19	PTFE Top Seal Washer (White)	—	—	—	—	—	—
20	Buna-N Guide Seal (Black)	(C)	(C)	(C)	(C)	(C)	(C)
21	Guide Screws (Current Self Taping)	204090	204090	204090	204090	204090	204090
—	Guide Screws (Older Style - Brass)	—	—	—	—	—	—
—	Washer (Older Style - Brass)	—	—	—	—	—	—
—	Insert (Older Style - Brass)	—	—	—	—	—	—
22	Bearing Guide	207416	207416	207416	207416	207416	207416
23	Guide Bushings (Current Style Only)	204308	204308	204308	204308	204308	204308
24	Retract Spring	201113	201113	201113	201113	201113	201113
25	Bearing Sleeve Assembly	—	—	—	—	—	—
26	Buna-N Lower Seal (Black)	—	—	—	—	—	—
27	Bearing Sleeve	—	—	—	—	—	—
28	Wear Ring (Gold)	—	—	—	—	—	—
29	PTFE Speed Washer (White)	—	—	—	—	—	—
30	Buna-N Washer Seal (Gray)	—	—	—	—	—	—
31	Bearing Nipple	—	—	—	—	—	—
32	SAM SPRINKLER HOUSING ASSEMBLY	205679	205679	205679	—	—	—
—	Screw, Housing (2)	—	—	—	—	—	—
—	Upper Housing Seal	—	—	—	—	—	—
—	Lower Housing Seal	—	—	—	—	—	—
—	Vent Tube	—	—	—	—	—	—
—	Valve Tube	—	—	—	—	—	—
33	Inlet Screen	200006	200006	200006	—	—	—
VIH-E SOLENOID ASSEMBLY							
—	Rubber Retainer	—	—	—	206920-01	206920-01	206920-01
—	Coil	—	—	—	627167	627167	627167
—	U-Frame	—	—	—	602118	602118	602118
—	Base Nut	—	—	—	212124S	212124S	212124S
—	Core Tube / Plunger Spring Assembly	—	—	—	602142	602142	602142
—	Crush Washer	—	—	—	21297201S	21297201S	21297201S

(A) Specify Nozzle Size - 11, 12, 13, 14, 16, 18, 20, 22

(B) Specify Nozzle Size - 11, 11.5, 13

(C) Included in Bearing Spring Washer Kit # 203731.

Note: Part numbers enclosed in brackets () are not available individually, but may be sold in assemblies or kits.

January 1, 2015



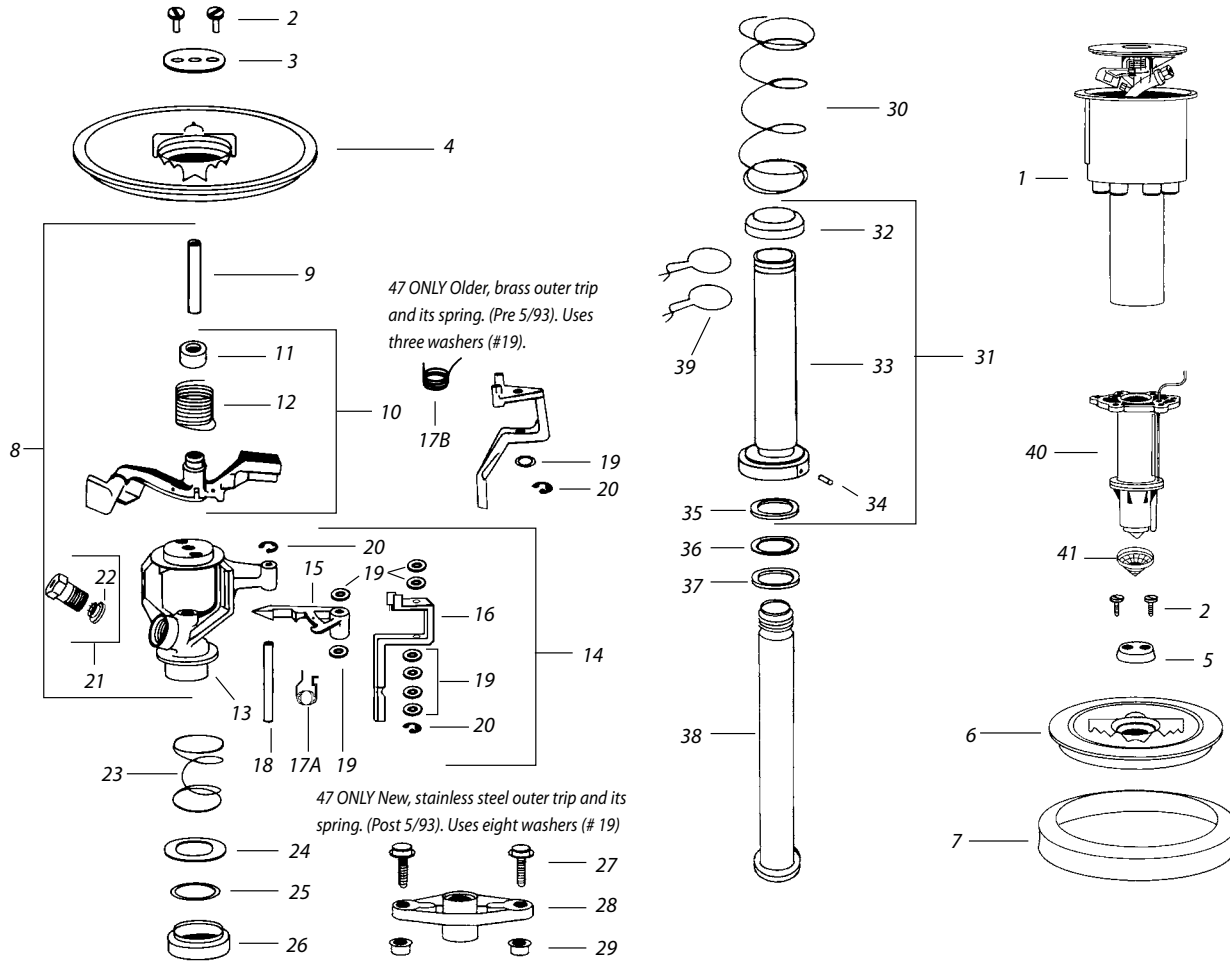
Your Irrigation Superstore
 Email: irrigate@schumacherirrigation.com
 www.schumacherirrigation.com

Toll Free: 800-246-3685

Phone: 402-246-3685

Fax: 402-246-2072

27A / 37A / 47A SAM SERIES
 27A / 37A / 47A VIH-E SERIES



Ref. Part Description	27ASAM 27ASAM-RC	37ASAM 37ASAM-RC	47ASAM 47ASAM-RC	27A-VIH-E 27A-VIH-E-RC	37A-VIH-E 37A-VIH-E-RC	47A-VIH-E 47A-VIH-E-RC
CASES						
1 1" Plastic Case (NPT)	201283-01	201283-01	201283-01	—	—	—
1 1" Plastic Case (BSP)	—	—	—	—	—	—
COVER ASSEMBLIES						
2 Cover Screws, Standard	200974	200974	200974	200974	200974	200974
3 Retainer, Steel	200740	200740	200740	200740	200740	200740
4 Aluminum Cover	—	—	—	—	—	—
4 Plastic Cover	—	—	—	—	—	—
5 Retainer, Rubber	—	—	—	—	—	—
6 Rubber Cover	—	—	—	—	—	—
7 Rubber Case Ring	—	—	—	—	—	—
- Cover Screws, Vandal Resistant	—	—	—	—	—	—

Note: Part numbers enclosed in brackets () are not available individually, but may be sold in assemblies or kits.

January 1, 2015



Ref. Part Description	27ASAM 27ASAM-RC	37ASAM 37ASAM-RC	47ASAM 47ASAM-RC	27A-VIH-E 27A-VIH-E-RC	37A-VIH-E 37A-VIH-E-RC	47A-VIH-E 47A-VIH-E-RC
INTERNAL ASSEMBLY						
UPPER ASSEMBLY						
8 Arm/Body Assembly	—	200126-14	—	—	200126-14	—
9 Fulcrum Pin	200025	200025	200076	200025	200025	200076
10 Arm / Spring Assembly	—	—	—	—	—	—
11 Arm Hood	—	—	—	—	—	—
12 Arm Spring	200027	200089	200089	200027	200089	200089
13 Body	—	—	—	—	—	—
TRIP MECHANISM						
14 Trip Assembly	—	—	—	—	—	—
15 Inner Trip	200060	200060	200060	200060	200060	200060
16 Outer Trip	—	—	—	—	—	—
17A Trip Spring	—	—	—	—	—	—
17B Trip Spring (for Brass Outer Trip-47 ONLY)	—	—	—	—	—	—
18 Trip Shaft	—	—	201932	—	—	201932
19 Spacer Washers (2-27,37)(8-47)	201933	201933	201933	201933	201933	201933
20 E-Ring	—	—	200975	—	—	200975
NOZZLES (Specify nozzle size when ordering.)						
- ADJ Nozzle Assembly	201559-08	201559-08	—	201559-08	201559-08	—
- Spring	100136	100136	—	100136	100136	—
- Adjustment Pin	100203	100203	—	100203	100203	—
21 Range Nozzle Assembly	—	—	(A) 200079-xx	—	—	(A) 200079-xx
22 Vane	—	—	202143	—	—	202143
BEARING ASSEMBLY						
23 Bearing Spring	(B)	(B)	(B)	(B)	(B)	(B)
24 Steel Top Seal Washer	(B)	(B)	(B)	(B)	(B)	(B)
25 PTFE Top Seal Washer (White)	—	—	—	—	—	—
26 Buna-N Guide Seal (Black)	(B) 200042	(B) 200042	(B) 200042	(B) 200042	(B) 200042	(B) 200042
27 Guide Screws (Current Self Taping)	204090	204090	204090	204090	204090	204090
- Guide Screws (Older Style - Brass)	—	—	—	—	—	—
- Washer (Older Style - Brass)	—	—	—	—	—	—
- Insert (Older Style - Brass)	—	—	—	—	—	—
28 Bearing Guide	207416	207416	207416	207416	207416	207416
29 Guide Bushings (Current Style Only)	204308	204308	204308	204308	204308	204308
30 Retract Spring	201113	201113	201113	201113	201113	201113
31 Bearing Sleeve Assembly	—	—	—	—	—	—
32 Buna-N Lower Seal (Black)	—	—	—	—	—	—
33 Bearing Sleeve	—	—	—	—	—	—
34 Bearing Sleeve Pin	200064	200064	200064	200064	200064	200064
35 Wear Ring (Gold)	—	—	—	—	—	—
36 PTFE Speed Washer (White)	—	—	—	—	—	—
37 Buna-N Washer Seal (Gray)	—	—	—	—	—	—
38 Bearing Nipple	—	—	—	—	—	—
39 Friction Collars	200164	200164	200164	200164	200164	200164
Friction Collars, Locking	—	—	—	—	—	—
40 SAM SPRINKLER HOUSING ASSEMBLY	205679	205679	205679	—	—	—
- Screw, Housing (2)	—	—	—	—	—	—
- Upper Housing Seal	—	—	—	—	—	—
- Lower Housing Seal	—	—	—	—	—	—
- Vent Tube	—	—	—	—	—	—
- Valve Tube	—	—	—	—	—	—
41 Inlet Screen	200006	200006	200006	—	—	—
VIH-E SOLENOID ASSEMBLY						
- Rubber Retainer	—	—	—	206920-01	206920-01	206920-01
- Coil	—	—	—	627167	627167	627167
- U-Frame	—	—	—	602118	602118	602118
- Base Nut	—	—	—	212124S	212124S	212124S
- Core Tube / Plunger Spring Assembly	—	—	—	602142	602142	602142
- Crush Washer	—	—	—	21297201S	21297201S	21297201S

(A) Specify Nozzle Size 14, 15, 18

(B) Included in Bearing Spring Washer Kit # 203731.

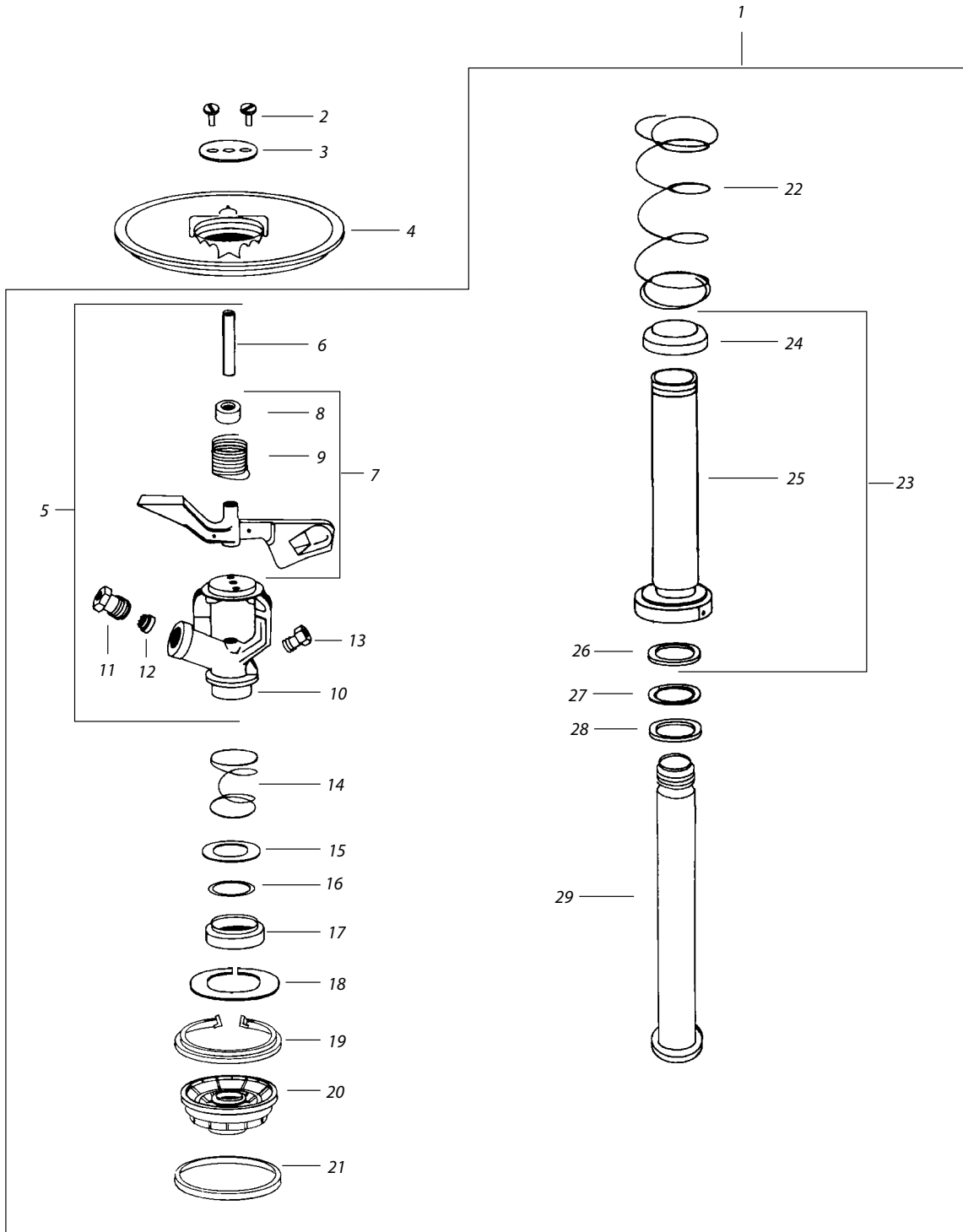
Note: Part numbers enclosed in brackets () are not available individually, but may be sold in assemblies or kits.

January 1, 2015



Your Irrigation Superstore
 Email: irrigate@schumacherirrigation.com
 www.schumacherirrigation.com

Toll Free: 800-246-3685
 Phone: 402-246-3685
 Fax: 402-246-2072



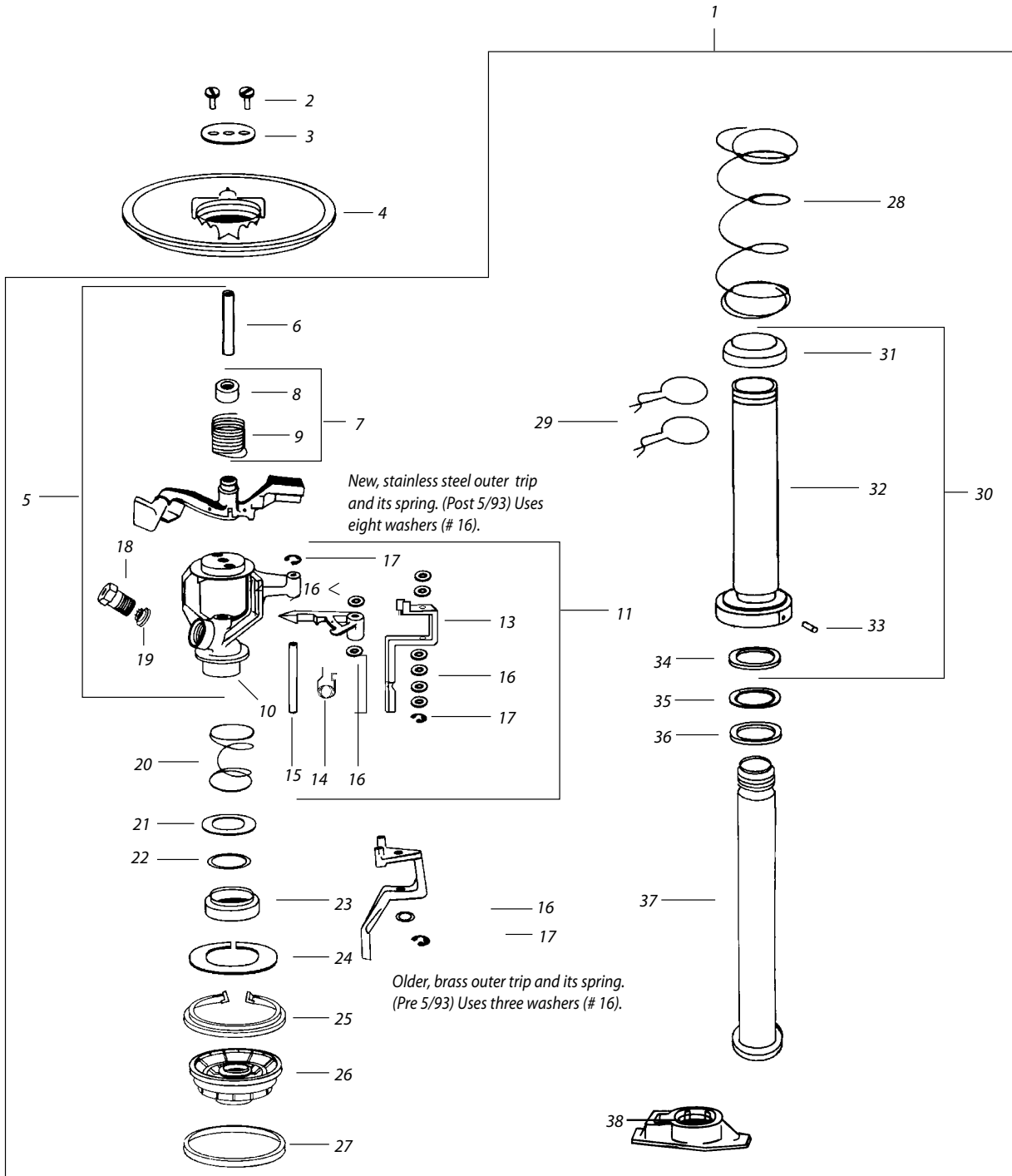
Note: Part numbers enclosed in brackets () are not available individually, but may be sold in assemblies or kits.

January 1, 2015

Ref.	Part Description	51DR/DS/DH
1	INTERNAL ASSEMBLY	(A) (B) 204130-xx
COVER ASSEMBLY		
2	Cover Screws, Standard (2)	200974
3	Retainer, Steel	200740
4	Plastic Cover	—
UPPER ASSEMBLY		
5	Arm/Body Assembly	—
6	Fulcrum Pin	200076
7	Arm Spring Assembly	—
8	Arm Hood	—
9	Arm Spring	202384
10	Body	—
NOZZLES (Specify nozzle sizes when ordering)		
11	Plastic Range Nozzle	(C) 211203-xx
12	Vane	—
13	Drive Nozzle	(D) 201108
BEARING ASSEMBLY		
14	Bearing Spring	(E)
15	Steel Top Seal Washer	(E)
16	PTFE Top Seal Washer	—
17	Buna-N Guide Seal (Black)	(E) 200042
18	Zinc Washer Kit - Sacrificial Anode	—
19	Upper Snap Ring	208395
20	Bearing Guide, Plastic	—
—	Bearing Guide Ring	207415
21	Seal, Bearing Guide (Red)	211239
22	Retract Spring	201113
23	Bearing Sleeve Assembly	—
24	Buna-N Lower Seal (Black)	—
25	Bearing Sleeve	—
26	Wear Ring (Gold)	—
27	PTFE Speed Washer (White)	—
28	Buna-N Washer Seal (Gray)	—
29	Bearing Nipple	—
(A) Specify Nozzle - 16, 24		
(B) Sub to EAGLE'S Nest Internal Assy.		
(C) Specify nozzle size: -11, -12, -13, -14, -16, -18, -20, -22		
(D) Specify nozzle size: -11, 11.5, -13		
(E) Included in Upper Bearing Spring Washer Kit # 203731		

Note: Part numbers enclosed in brackets () are not available individually, but may be sold in assemblies or kits.

January 1, 2015



Note: Part numbers enclosed in brackets () are not available individually, but may be sold in assemblies or kits.

January 1, 2015

Ref.	Part Description	47DR/DS/DH
1	INTERNAL ASSEMBLY	(A)
COVER ASSEMBLY		
2	Cover Screws, Standard (2)	200974
3	Retainer, Steel	200740
4	Plastic Cover	—
UPPER ASSEMBLY		
5	Arm/Body Assembly	—
6	Fulcrum Pin	200076
7	Arm Spring Assembly	—
8	Arm Hood	—
9	Arm Spring	200089
10	Body	—
TRIP MECHANISM		
11	Trip Repair Kit	—
12	Inner Trip	200060
13	Outer Trip	—
14	Trip Spring	209363
15	Trip Shaft	201932
16	Spacer Washers (8)	201933
17	E-Ring (1)	200975
NOZZLES (Specify nozzle sizes when ordering)		
18	Range Nozzle Assembly	(B) 200079-xx
19	Vane	202143
BEARING ASSEMBLY		
20	Bearing Spring	(C)
21	Steel Top Seal Washer	(C)
22	Teflon Top Seal Washer	—
23	Buna-N Guide Seal (Black)	(C)
24	Zinc Washer Kit - Sacrificial Anode	—
25	Upper Snap Ring	208395
26	Bearing Guide, Plastic	—
—	Bearing Guide Ring	207415
27	Seal, Bearing Guide (Red)	211239
28	Retract Spring	201113
29	Friction Collars (2)	200164
30	Bearing Sleeve Assembly	—
31	Buna-N Lower Seal (Black)	—
32	Bearing Sleeve	—
33	Bearing Sleeve Pin	200064
34	Wear Ring (Gold)	—
35	Teflon Speed Washer (White)	—
36	Buna-N Washer Seal (Gray)	—
37	Bearing Nipple	—
38	Part Circle Adapter	203936

(A) Substitute EAGLE'S Nest Internal Assy.

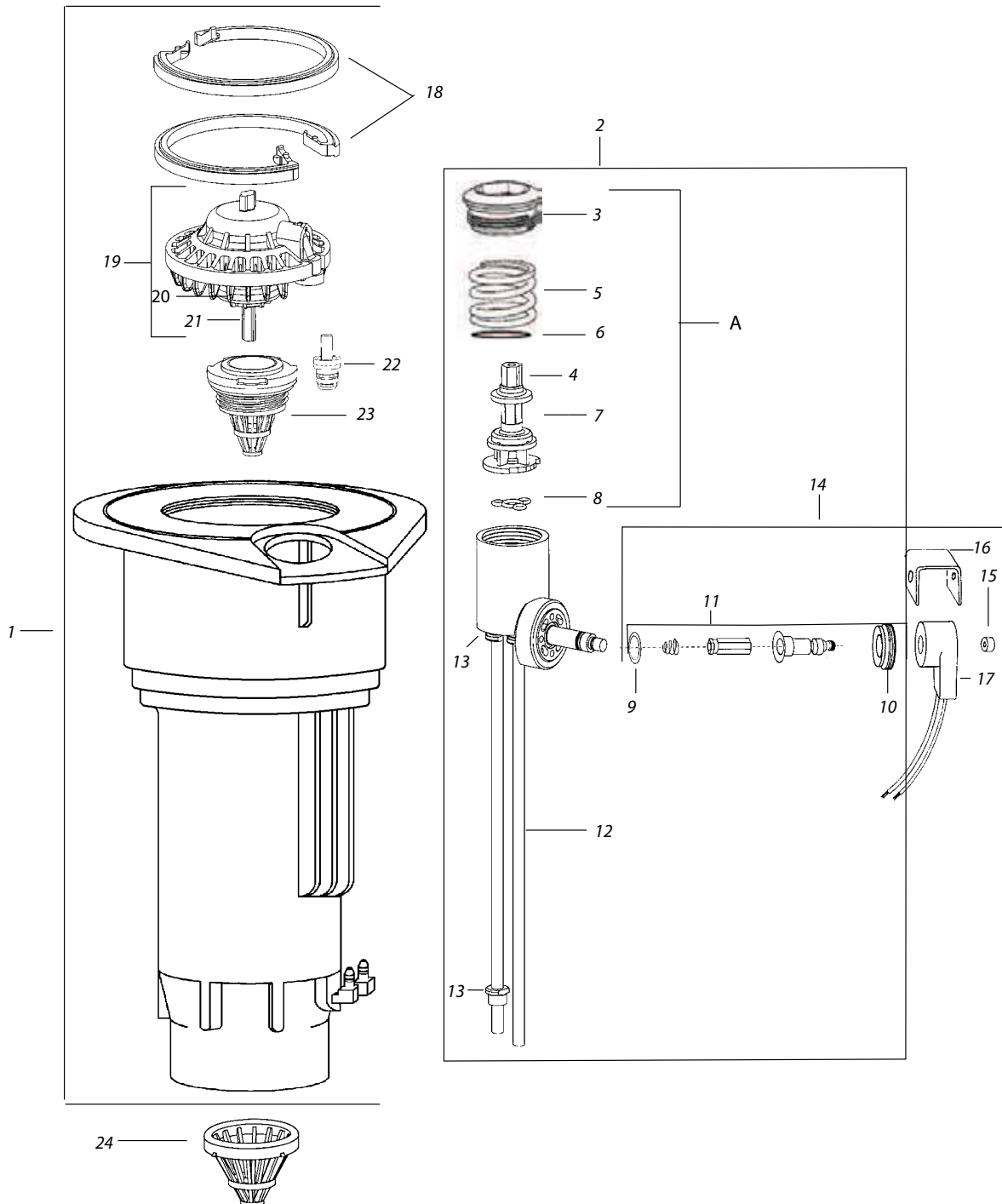
(B) Specify nozzle size: -14, -15, -18

(C) Included in Upper Bearing Spring Washer Kit # 203731.

Note: Part numbers enclosed in brackets () are not available individually, but may be sold in assemblies or kits.

January 1, 2015

47DR / 47DS / 47DH / 51DR / 51DS / 51DH
 1 PIECE CASE ASSEMBLY (POST 5/93)



Note: Part numbers enclosed in brackets () are not available individually, but may be sold in assemblies or kits.

January 1, 2015



Ref. Part Description	47DR 51DR	47DS 51DS	47DH 51DH
CASE ASSEMBLIES			
1 Case Assembly (NPT)	207955-03	208456-01	—
1 Case Assembly (BSP)	—	—	—
2 PRS/Selector Assembly	210808-03	—	—
3 Selector Cap	(A)	—	—
4 O-Ring, Stem Cover	(A)	—	—
5 Spring, Compression	(A)	—	—
6 Selector Spring Washer	(A)	—	—
7 PRS Cartridge	(A)	—	—
8 Selector Seal (Rust)	(A) 211663	—	—
9 O-Ring, Solenoid Base	211237	—	—
10 Base Nut	602606	—	—
11 Plunger Assembly	212972-01S	—	—
12 Tubing (2)	211607	211607	—
13 Ferrule, Barbed (2)	—	—	—
14 Solenoid Assembly	206920-01	—	—
15 Retainer, Rubber	627167	—	—
16 U-Frame	212124S	—	—
17 Coil	602118	—	—
18 Snap Ring, Lower (2)	208396	208396	208396
19 HPDV Valve Assembly	211266	212323	212323
20 Seal, Inlet (Not Shown)	211197	212220S	212220S
21 Filter, Universal	206092-02	—	—
22 Probe & O-ring Assembly	207402	207402	207402
23 Top-Serviceable Rock Screen (>6/98)	211714-02	211714-02	211714-02
- O-Ring, Rock Screen	210366	210366	210366
- HFDV Repair Kit (for stainless steel valve) (<3/00)	207594	208439	208439
- Inlet Adapter Kit (<6/98) (B)	207654	207654	207654
24 Screen, Inlet (<6/98)	—	—	—

(A) Included in PRS/Selector Repair Kit # 213366.

(B) Inlet adapter required on one-piece cases made between 5/87 to 6/98. After 6/98 the top-serviceable rock screen and valve seat is included in the one-piece case #211714-02.

Note: Part numbers enclosed in brackets () are not available individually, but may be sold in assemblies or kits.

January 1, 2015



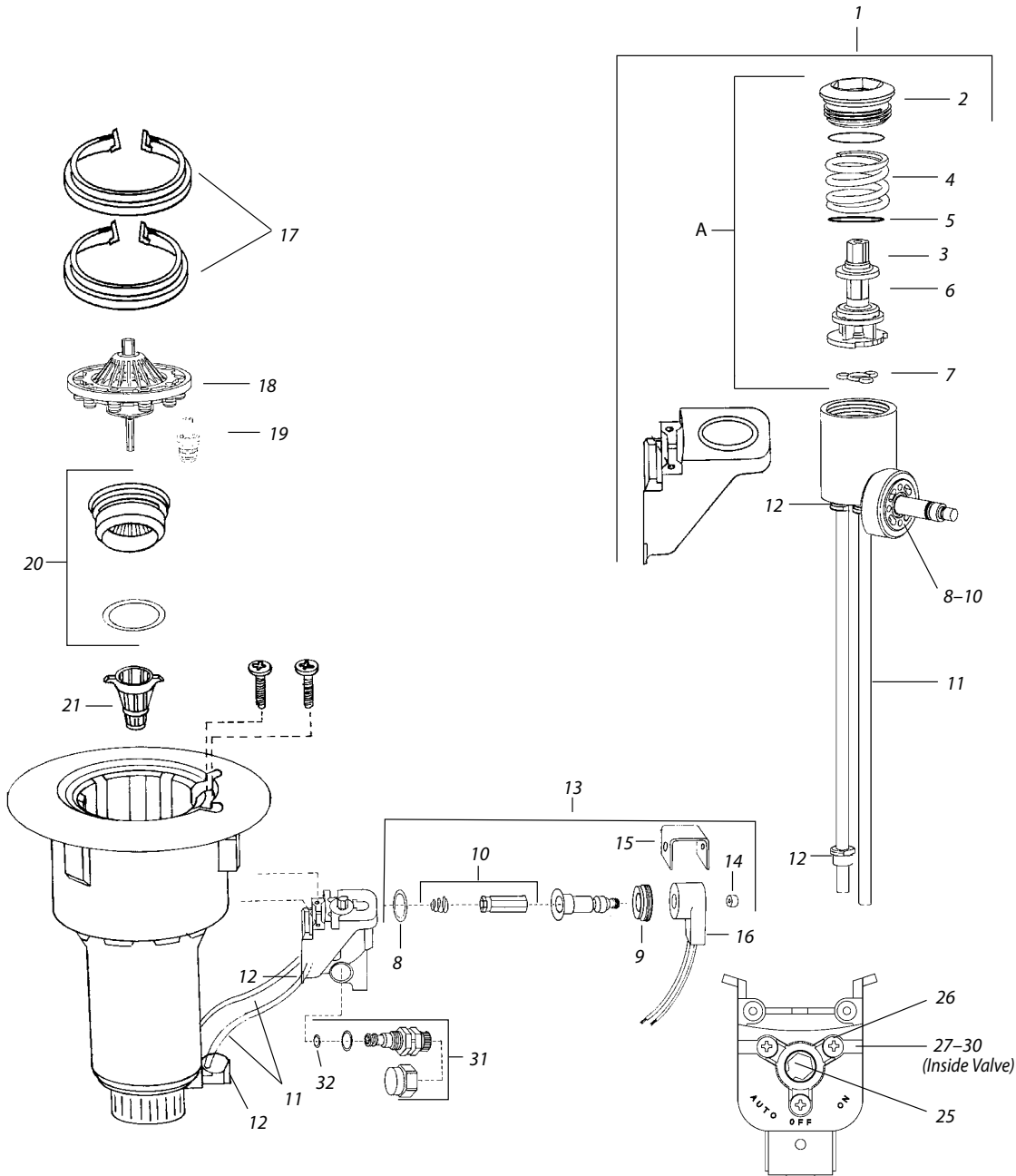
Your Irrigation Superstore
Email: irrigate@schumacherirrigation.com
www.schumacherirrigation.com

Toll Free: 800-246-3685
Phone: 402-246-3685
Fax: 402-246-2072

47DR / 47DS / 47DH / 51DR / 51DS / 51DH - OLD 2-PIECE CASE (PRE 5/93)

NEW PRS/SELECTOR VALVE WITH ADAPTER

OLD PRS/SELECTOR VALVE PARTS



Note: Part numbers enclosed in brackets () are not available individually, but may be sold in assemblies or kits.

January 1, 2015



Ref.	Part Description	47DR	47DS	47DH	Ref.	Part Description	47DR	47DS	47DH
		51DR	51DS	51DH			51DR	51DS	51DH
NEW PRS/SELECTOR VALVE ASSEMBLY WITH ADAPTER					2-PIECE CASE PARTS				
1	PRS/Selector Assembly	210808-03	—	—	17	Lower Snap Rings (2)	208396	208396	208396
2	Selector Cap	(A)	—	—	18	HPDV Valve	211266	212323	212323
3	Stem Cover O-Ring	(A)	—	—	—	HFDV Repair Kit (for stainless steel valve)	207594	—	—
4	Compression Spring	(A)	—	—	19	Probe & O-Ring Assembly	207402	207402	207402
5	Selector Washer	(A)	—	—	20	Inlet Adapter Kit (D)	207654	207654	207654
6	PRS Cartridge	(A)	—	—	21	Inlet Screen	—	—	—
7	Seal, Selector	(A) 211663	—	—	12	Ferrule (4-DR,2-DS,1-DH)	—	—	—
8	Solenoid Base O-Ring	211237	—	—	(A) Included in new style PRS/Selector Repair Kit # 213366.				
9	Base Nut	602606	—	—	(B) Selector Valves made before 6/88 used three (3) O-Rings # 211238.				
10	Plunger-Core Tube Assy	212972-01S	—	—	(C) PRS/Selector Assy with adaptor use replacement part # 210808-03				
11	Tubing (2)	211607	211607	—	(D) For pre-1998 cases that used the old DV brass valve. New valve assemblies HFDV and HPDV do not require the inlet adapter kit.				
12	Barbed Ferrule (2)	—	—	—					
OLD SELECTOR VALVE PARTS (Pre 5/93)									
—	Selector Valve Stem Repair Kit (3/89-5/93)	—	—	—					
25	Stem Assy	—	—	—					
26	Screws (3)	—	—	—					
—	O-Ring (4)	(B) 211238	—	—					
27	Compression Spring	(C)	—	—					
28	Spring Washer (2 or 3)	(C)	—	—					
29	Seal Washer	(C)	—	—					
30	Seal O-Ring	(C)	—	—					
31	Pressure Regulator	(C)	—	—					
32	Selector Valve O-Ring	(C)203026	—	—					
8	Solenoid Base O-Ring	211237	—	—					
9	Base Nut	602606	—	—					
11	Tube (2)	211607	211607	—					
SOLENOID ASSEMBLY - ALL CASE TYPES									
13	Solenoid Assembly	206920-01	—	—					
9	Base Nut	602606	—	—					
14	Retainer, Rubber	627167	—	—					
15	U-Frame	212124S	—	—					
16	Coil	602118	—	—					

Note: Part numbers enclosed in brackets () are not available individually, but may be sold in assemblies or kits.

January 1, 2015



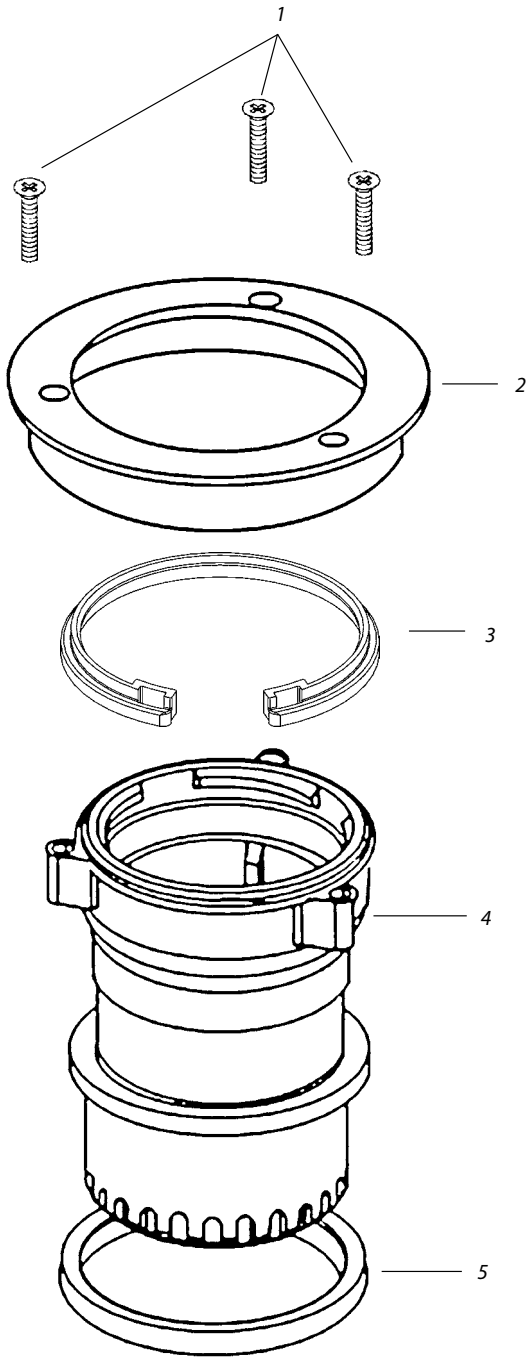
Your Irrigation Superstore
 Email: irrigate@schumacherirrigation.com
www.schumacherirrigation.com

Toll Free: 800-246-3685

Phone: 402-246-3685
 Fax: 402-246-2072

436 Catalog Number
EAGLE'S NEST™ ROTOR ADAPTORS
 FOR 47/51DR SERIES ROTORS

Rotor Adapter ●



<u>Ref.</u>	<u>Part Description</u>	<u>Qty.</u>	<u>Part No.</u>
1	Screw, 3/4" Self Tapping #10 Thd.	3	211487
2	Cover, Eagle's Nest	1	211482
3	Snap Ring, Eagle's Nest 47/51	1	211133-01
4	Adaptor, Eagle's Nest	1	—
5	Seal, U-cup (Red)	1	211239

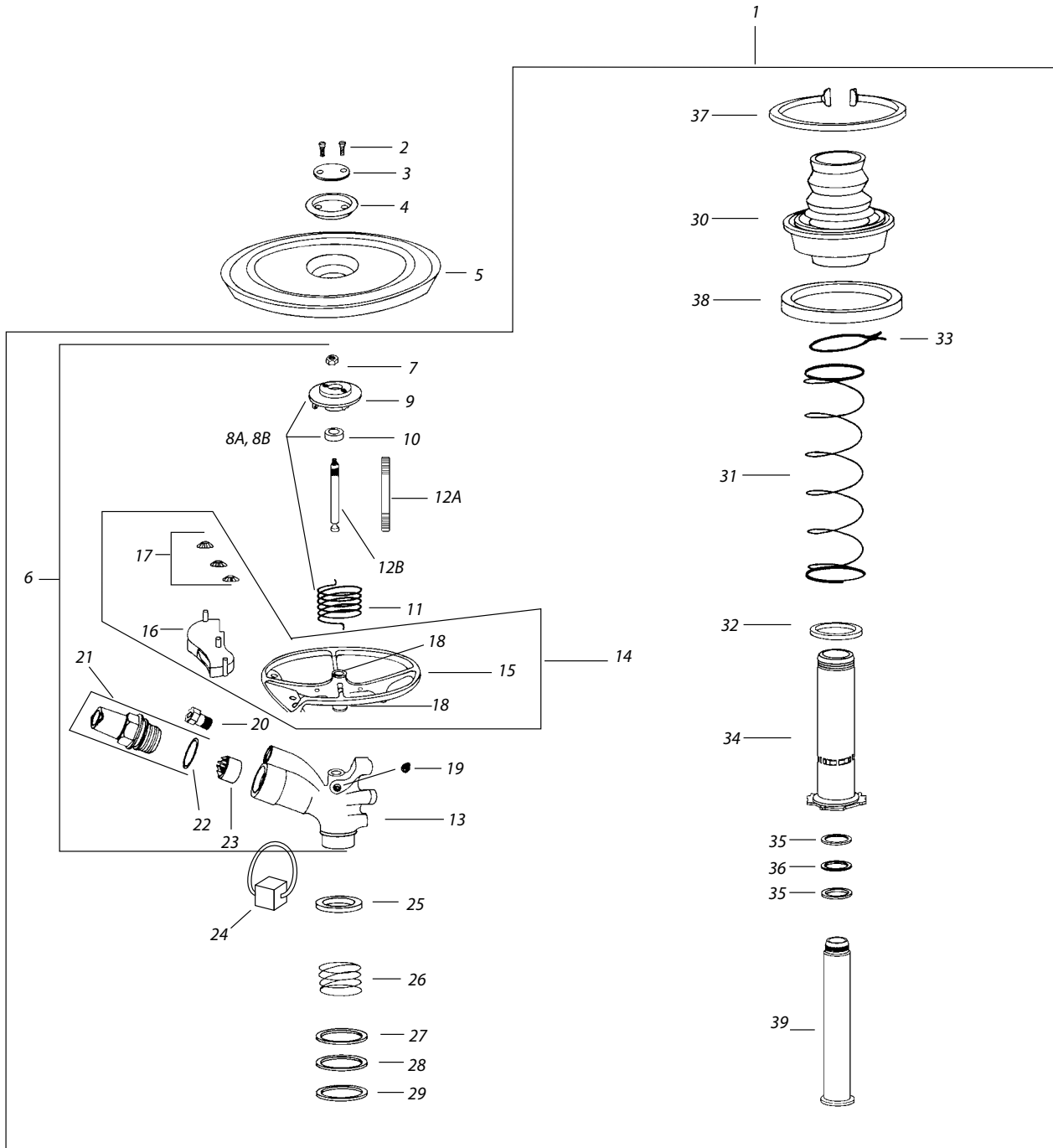
Note: Part numbers enclosed in brackets () are not available individually, but may be sold in assemblies or kits.

January 1, 2015



Your Irrigation Superstore
 Email: irrigate@schumacherirrigation.com
www.schumacherirrigation.com

Toll Free: 800-246-3685
 Phone: 402-246-3685
 Fax: 402-246-2072



Note: Part numbers enclosed in brackets () are not available individually, but may be sold in assemblies or kits.

January 1, 2015

91DR / 91DS / 91DH INTERNAL ASSEMBLY

Ref. Part Description	91DR	91DS	91DH
1 INTERNAL ASSEMBLY(A)	208237-xx	208237-xx	208237-xx
COVER ASSEMBLIES			
2 Cover Screws, Standard	200974	200974	200974
3 Steel Retainer	202685	202685	202685
4 Plastic Sand Cover	204749	204749	204749
5 Plastic Cover (Purple)	208625-09	208625-09	20862-09
UPPER ASSEMBLY (New Threaded Fulcrum Pin Version)			
6 Arm/Body Assy	20333930__15	20333930__15	20333930__15
- Body/Fulcrum Pin Assy	202686	202686	202686
7 Fulcrum Nut	(B)	(B)	(B)
8A Cover Support Assy Threaded	—	—	—
9 Cover Support	—	—	—
10 Arm Hood	—	—	—
11 Arm Spring	202699	202699	202699
12A Fulcrum Pin - Threaded	(B)	(B)	(B)
13 Body	—	—	—
14 Arm Assembly	—	—	—
15 Arm	—	—	—
16 PJ Tube Assembly	—	—	—
17 Pushnut (3)	203638	203638	203638
18 Arm Bushings (2)	202826	202826	202826
24 Zinc Anode Kit	—	—	—
OLDER NON THREADED FULCRUM PIN PARTS			
8B Cover Support Assy Non-Threaded	203285	203285	203285
9 Cover Support	—	—	—
10 Arm Hood	—	—	—
11 Arm Spring	202699	202699	202699
- Fulcrum Pin Repair Kit Non-Threaded	210068	210068	210068
7 Fulcrum Nut	—	—	—
12B Fulcrum Pin-NON-THD'D	—	—	—
19 Set Screw	—	—	—
NOZZLES (Included in Arm/Body Assy # 6) (Specify nozzle size when ordering)			
20 Drive Nozzle	206081	206081	206081
21 Range Nozzle Assy	(D)204182-xx	(D)204182-xx	(D)204182-xx
22 O-Ring	203316	203316	203316
23 Vane	202441	202441	202441
BEARING ASSY (Sandboot Style)			
25 Bearing Hood	(C)	(C)	(C)
26 Bearing Spring	(C)	(C)	(C)
- Sandboot Kit	208468	208468	208468
27 Spring Support Washer	(C)	(C)	(C)
28 PTFE Top Seal Washer	(C)	(C)	(C)
29 Upper Brg Seal Washer	(C)	(C)	(C)
30 Bellows/Bearing Guide	(C)	(C)	(C)
31 Retract Spring	—	—	—
32 Buna N Guide Seal	(C)	(C)	(C)
33 Friction Collar (1)	202429	202429	202429
34 Bearing Sleeve Assembly	203126	203126	203126
35 Brg Washer (Black) (2)	(C)	(C)	(C)
36 Wear Washer (Gold)	(C)	(C)	(C)
37 Upper Snap Ring	208395	208395	208395
38 Seal, Bearing Guide (Red)	211239	211239	211239
39 Bearing Nipple	202928	202928	202928

(A) Specify Range Nozzle size - 24, 26, 28, 30.

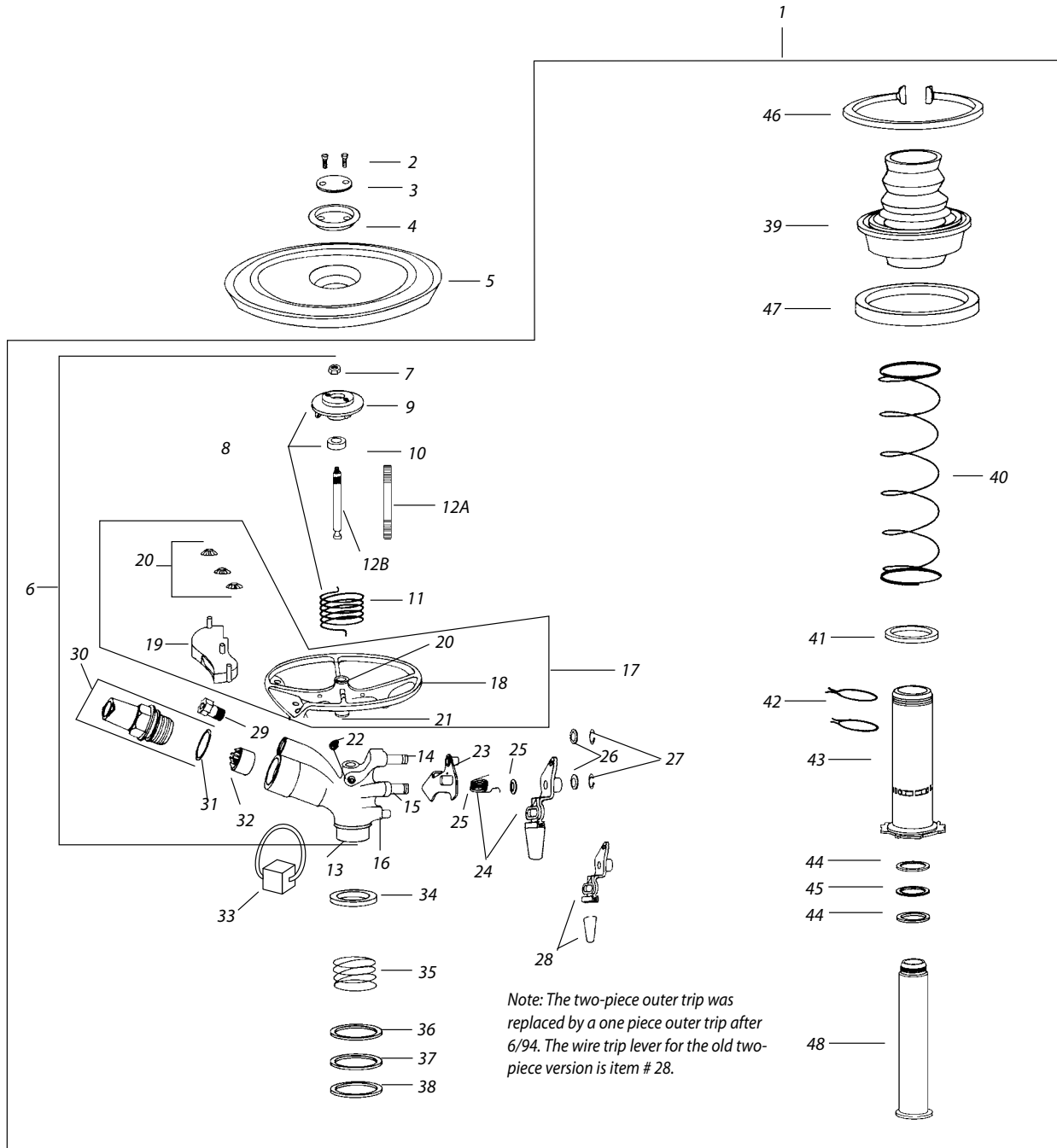
(B) Included in Fulcrum Repair Kit # 211022.

(C) Included in Bearing Washer Kit # 204179.

(D) Specify Range Nozzle size - 20, 22, 24, 26, 28, 30.

Note: Part numbers enclosed in brackets () are not available individually, but may be sold in assemblies or kits.

January 1, 2015



Note: Part numbers enclosed in brackets () are not available individually, but may be sold in assemblies or kits.

January 1, 2015



Ref.	Part Description	95DR	95DS	95DH
1	INTERNAL ASSEMBLY(A)	208236-xx	208236-xx	208236-xx
COVER ASSEMBLIES				
2	Cover Screws, Standard	200974	200974	200974
3	Steel Retainer	202685	202685	202685
4	Plastic Sand Cover	204749	204749	204749
5	Plastic Cover (Purple)	208625-09	208625-09	208625-09
UPPER ASSEMBLY (New Threaded Fulcrum Pin Version)				
6	Arm/Body Assy	—	—	—
—	Body/Fulcrum Pin Assy	202686	202686	202686
7	Fulcrum Nut	(B)	(B)	(B)
8A	Cover Support Assy Threaded	—	—	—
9	Cover Support	—	—	—
10	Arm Hood	—	—	—
11	Arm Spring	202699	202699	202699
12A	Fulcrum Pin-Threaded	(B)	(B)	(B)
13	Body	—	—	—
14	Upper Trip Shaft	—	—	—
15	Lower Trip Shaft	—	—	—
16	Stop Pin	—	—	—
17	Arm Assembly	—	—	—
18	Arm	—	—	—
19	PJ Tube Assembly	—	—	—
20	Pushnut (3)	203638	203638	203638
21	Arm Bushings (2)	202826	202826	202826
33	Zinc Anode Kit	—	—	—
OLDER NON THREADED FULCRUM PIN PARTS				
8B	Cover Support Assy Non-Threaded	203285	203285	203285
9	Cover Support	—	—	—
10	Arm Hood	—	—	—
11	Arm Spring	202699	202699	202699
—	Fulcrum Pin Repair Kit Non-Threaded	210068	210068	210068
7	Fulcrum Nut	—	—	—
12B	Fulcrum Pin-NON THD'D	—	—	—
22	Set Screw	—	—	—
TRIP MECHANISM				
23	Upper Trip Assembly	—	—	—
24	Lower Trip Assy (Post-6/94)	211186	211186	211186
25	Trip Spring	(C)	(C)	(C)
26	Spacer Washers (3)	(C)	(C)	(C)
27	E-Ring (2)	(C) 200975	(C) 200975	(C) 200975
28	Lower Trip Assy (Pre-6/94)	202848	202848	202848
29	Trip Lever (Pre-6/94)	—	—	—
NOZZLES (Included in Arm/Body Assembly # 6)				
29	Drive Nozzle	—	—	—
30	Range Nozzle Assy	(D)204182-xx	204182-xx	204182-xx
31	O-Ring	203316	203316	203316
32	Vane202441	202441	202441	202441
BEARING ASSY (Sandboot Style)				
34	Bearing Hood	(E)	(E)	(E)
35	Bearing Spring	(E)	(E)	(E)
—	Sandboot Kit	208468	208468	208468
36	Spring Support Washer	(E)	(E)	(E)
37	PTFE Top Seal Washer	(E)	(E)	(E)
38	Upper Brg Seal Washer	(E)	(E)	(E)
39	Bellows/Bearing Guide	(E)	(E)	(E)
40	Retract Spring	—	—	—
41	Buna N Guide Seal	(E)	(E)	(E)
42	Friction Collars (2)	202429	202429	202429
43	Bearing Sleeve Assembly	203126	203126	203126
44	Brg Washer (Black) (2)	(E)	(E)	(E)
45	Wear Washer (Gold)	(E)	(E)	(E)
46	Upper Snap Ring	208395	208395	208395
47	Seal, bearing Guide (Red)	211239	211239	211239
48	Bearing Nipple	202928	202928	202928

- (A) Specify Range Nozzle Size - 26
- (B) Included in Fulcrum Repair Kit # 211022.
- (C) Included in Trip Spring & Washer Kit # 209361.
- (D) Specify Range Nozzle Size - 20, 22, 24, 26, 28, 30.
- (E) Included in Bearing Washer Kit # 204179.

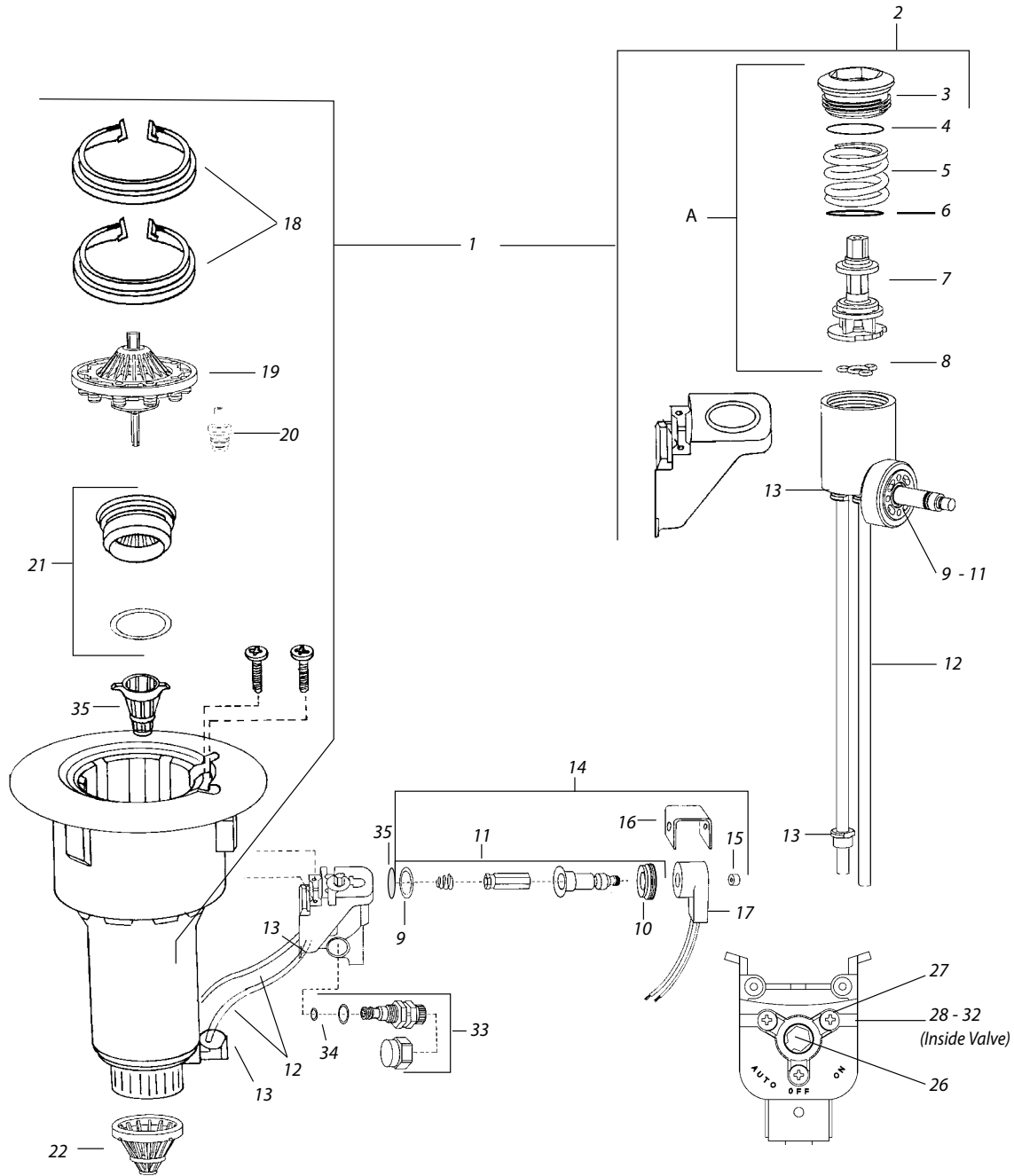
Note: Part numbers enclosed in brackets () are not available individually, but may be sold in assemblies or kits.

January 1, 2015



Your Irrigation Superstore
 Email: irrigate@schumacherirrigation.com
 www.schumacherirrigation.com

Toll Free: 800-246-3685
 Phone: 402-246-3685
 Fax: 402-246-2072



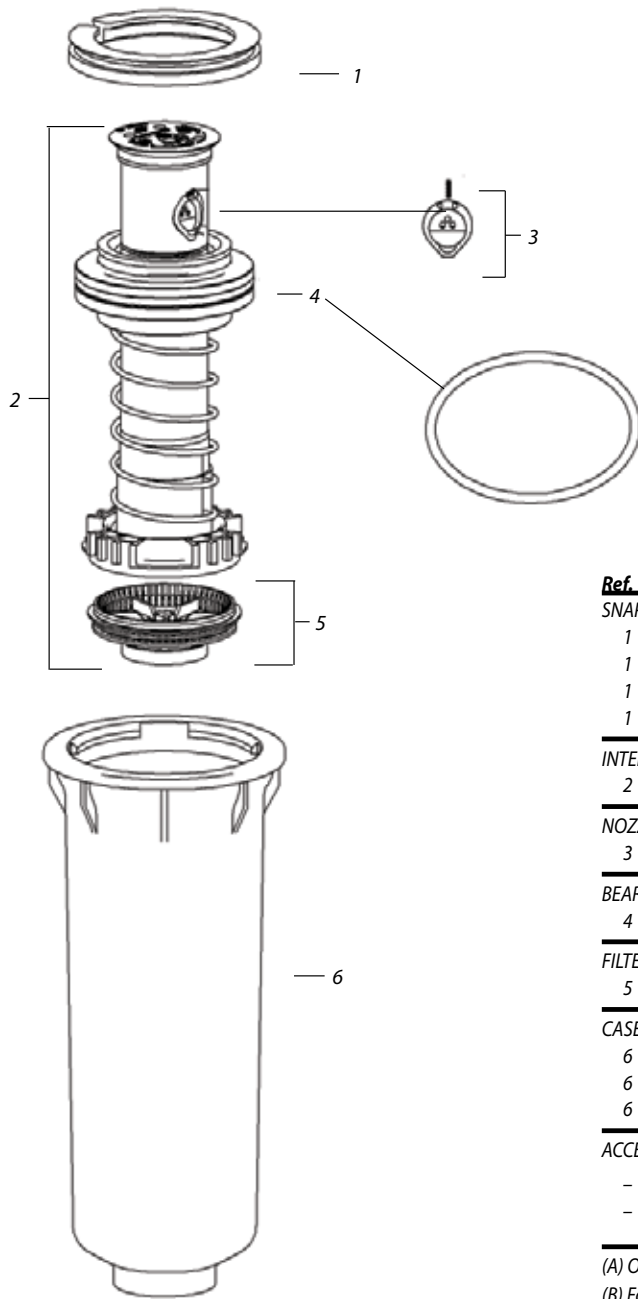
Note: Part numbers enclosed in brackets () are not available individually, but may be sold in assemblies or kits.

January 1, 2015

Ref. Part Description	91DR / 95DR	91DS / 95DS	91DH / 95DH
CASE ASSEMBLY WITH NEW PRS/SELECTOR VALVE (Post 5/93)			
1 Case Assembly (NPT)	—	—	—
1 Case Assembly (BSP)	—	—	—
2 PRS/Selector Assembly	210808-03	—	—
Selector Adapter	—	—	—
3 Selector Cap	(A)	—	—
4 Stem Cover O-Ring	(A)	—	—
5 Compression Spring	(A)	—	—
6 Selector Washer	(A)210040	—	—
7 PRS Cartridge	(A)	—	—
8 Selector Seal (Rust)	(A) 211663	—	—
9 Solenoid Base O-Ring	211237	—	—
10 Base Nut	602606	—	—
11 Assembly Plunger Core/Tube	212972-01S	—	—
12 Tubing (2)	211607	211607	—
13 Ferrule (2-DR, 1-DH)	—	—	—
14 Solenoid Assembly	206920-01	—	—
15 Rubber Retainer	627167	—	—
16 U-Frame	212124S	—	—
17 Coil	602118	—	—
18 Snap Ring, Lower (2)	208396	208396	208396
19 HPDV Valve Assembly	211266	212323	212323
20 Probe & O-ring Assembly	207402	207402	207402
21 Inlet Adapter	207654	207654	207654
22 Inlet Screen (Post-7/93)	—	—	—
VALVE REPAIR KITS - OLDER MODELS			
– HFDV Repair Kit (for stainless steel valve)	207594	—	—
OLD SELECTOR VALVE PARTS (Pre 5/93)			
– Selector Valve Stem Repair Kit	—	—	—
26 Stem Assembly	—	—	—
27 Screws (3)	—	—	—
28 O-Ring (4)	(B) 211238	—	—
29 Compression Spring	(C)	—	—
30 Spring Washer (2 or 3)	(C)	—	—
31 Seal Washer	(C)	—	—
32 Seal O-Ring	(C)	—	—
33 Pressure Regulator	—	—	—
34 Selector Valve O-Ring	(C)203026	—	—
9 Solenoid Base O-Ring	—	—	—
14 Solenoid Assembly	206920-01	—	—
10 Base Nut	602606	—	—
11 Plunger-Core Tube Assy	212972-01S	—	—
15 Rubber Retainer	627167	—	—
16 U-Frame	212124S	—	—
17 Coil	602118	—	—
12 Tubing (2)	211607	211607	—
13 Ferrule (2-DR, 1-DH)	—	—	—
35 Screen	—	—	—
(A) Included in new style PRS/Selector Repair Kit # 213366.			
(B) Selector Valves made before 6/88 used three (3) O-Rings #211238.			
(C) PRS/Selector Assembly with adaptor use replacement Part # 210808-03			

Note: Part numbers enclosed in brackets () are not available individually, but may be sold in assemblies or kits.

January 1, 2015



Ref.	Part Description	Qty.	All Models
SNAP RINGS			
1	Snap Cover	1	211921-01
1	Snap Cover, Yellow	1	211921-02
1	Snap Cover, White	1	211921-03
1	Snap Cover, Purple	1	211921-04
INTERNAL ASSEMBLY			
2	Internal Assembly (Does not include nozzle)(A)(B)	1	212911-01
NOZZLES			
3	Nozzle Kit (C)	1	212913-xx
BEARING ASSEMBLY			
4	Bearing Guide O-Ring	1	211242
FILTER ASSEMBLY			
5	Screen and Check Valve Assy Kit	1	212914
CASE			
6	Case (NPT)	1	211489-01
6	Case (BSP)	1	211489-02
6	Case (ACME)	1	211489-03
ACCESSORIES/TOOLS			
-	Support Tool	1	232693S
-	Lifter Tool	1	209227

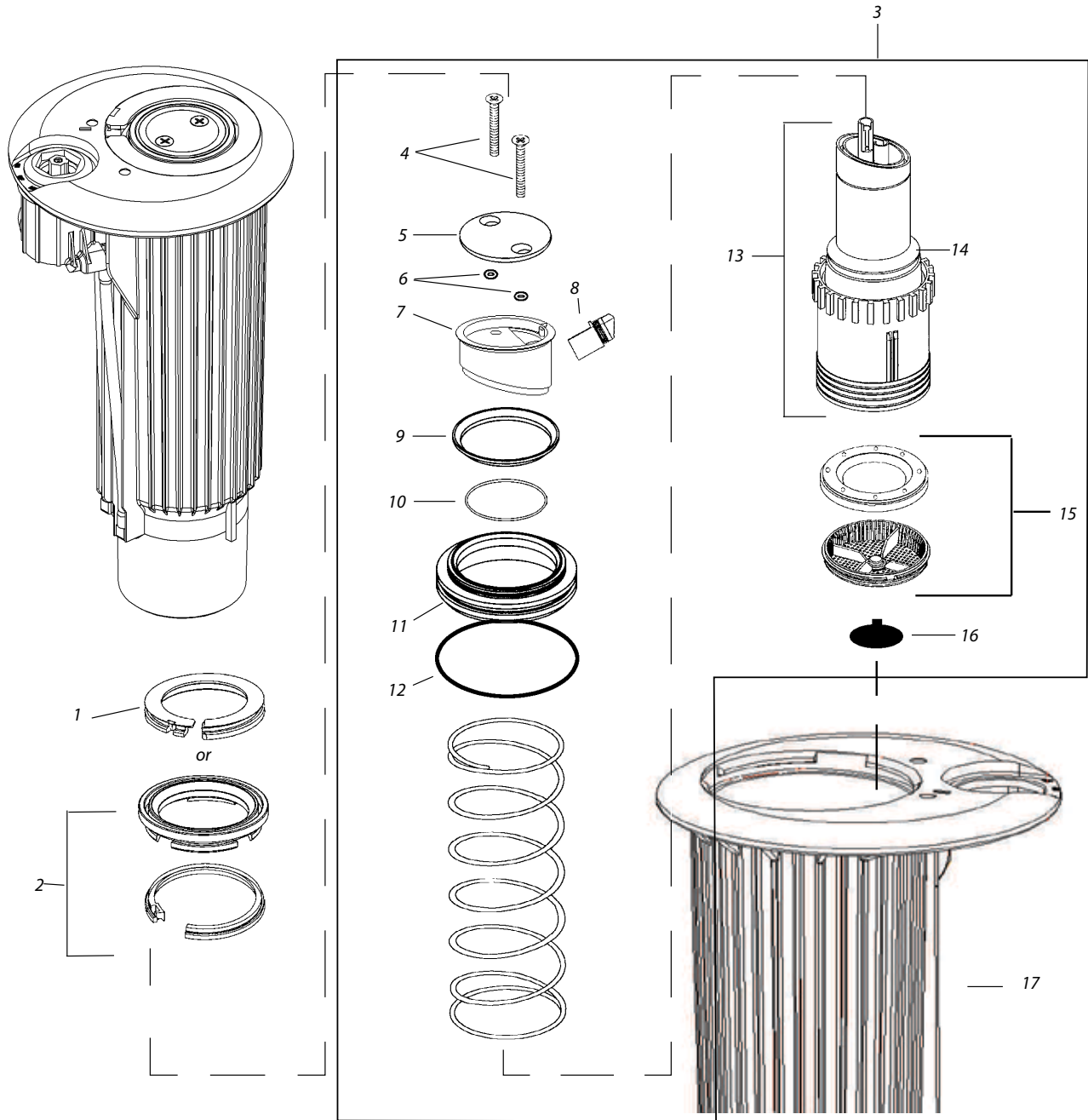
(A) Order nozzle kit if necessary - Part#212913-xx

(B) For Non-potable applications use Standard Part and Purple Snap Ring - Part #211921-04.

(C) Specify Nozzle Kit when Ordering - XX = 02 (Includes 18M, 26M, 30M and 36M Nozzles); 22 (Includes 18S, 22S and 26S Nozzles); 36 (Includes 30S, 36S, and 40 Nozzles); 48 (Includes 44, 48, and 54 Nozzles).

Note: Part numbers enclosed in brackets () are not available individually, but may be sold in assemblies or kits.

January 1, 2015



Note: Part numbers enclosed in brackets () are not available individually, but may be sold in assemblies or kits.

January 1, 2015

Ref.	Part Description	Qty.	500-E	500-S/H	500B
SNAP RINGS					
1	Snap Cover (excluding BRC)	1	211921-01	211921-01	211921-01
2	Rubber Cover Kit	1	212551	212551	211355
INTERNAL ASSEMBLY					
3	Internal Assembly (A)	1	211580-xx	211580-xx	(B)211580-xx
COVER ASSEMBLY					
4	Self-Tapping Screw	2	210974	210974	210974
5	Housing Cover	1	211282	211282	211282
6	Screw O-Ring	2	211236	211236	211236
NOZZLES					
7	Nozzle Housing - Black (C)	1	210356-02	210356-02	210356-02
8	Range Nozzle Assembly (A)	1	213500-xx	213500-xx	213500-xx
9	Retract Seal	1	210354	210354	210354
15	Stator / Screen Kit	1	210403-01	210403-01	210403-01
16	Seal-a-Matic™ Sreen Assy (B/BRC Only)	1	—	—	211292
BEARING / RISER-MOTOR ASSEMBLY					
10	Nozzle Housing O-Ring	1	210366	210366	210366
11	Bearing Guide Assy, STD	1	211147	—	—
11	Bearing Guide Assy, LO-FLOW (D)	1	—	211263	211263
12	Bearing Guide O-Ring	1	211242	211242	211242
13	Riser Motor Assembly	1	214700-00	214700-00	214700-00
14	Pop-up Seal (White)	1	210399	210399	210399
17	CASE ASSEMBLY See Catalog No. 464				

- (A) Specify Nozzle Size when ordering. Available in # 52, 53, 54.
- (B) Also requires Seal-a-Matic™ Sreen Assy (B/BRC) Part # 211292
- (C) For non-potable applications use standard part and purple snap ring, part # 211921-04
- (D) The LO-FLOW Bearing Guide #211263 may also be used on the 500 Series Electric rotor
- (E) For smooth case rotors use part # 211602

Ref.	KITS & Accessories	Qty.	P/N
1	Snap-Cover, Yellow		211921-02
1	Snap-Cover, White		211921-03
1	Snap-Cover, Purple (Non-Potable)		211921-04
Rubber Cover Kit (E/H/S)			(E)212551
-	Rubber Cover, Snap Ring	1	
-	Snap Ring, Upper	1	
-	Rubber Cover, Housing	1	
-	Rubber Case Cover (E/H/S)	1	
Rubber Cover Kit (B & BRC)			211355
-	Rubber Cover, Snap Ring	1	
-	Snap Ring, Upper	1	
-	Rubber Cover, Housing	1	
-	Rubber Case Ring (B case)	1	
5	Cover, Yardage Marker Blank (Black)		211752-01

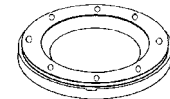
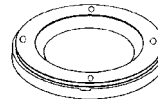
Stator / Poppet Configurations

Color	Number	Electric Pressure Setting psi (bars)				Hyd, SAM, B
		60 (4,1)	70 (4,8)	80 (5,5)	100 (6,9)	B
Beige	#52	S4	S4	S4	S4	S4
Gray	#53	S4	S4	S4	S4	S4
Red	#54	S8	S8	S8	S8	S8

S4 = Stator with 4 Holes S8 = Stator with 8 Holes

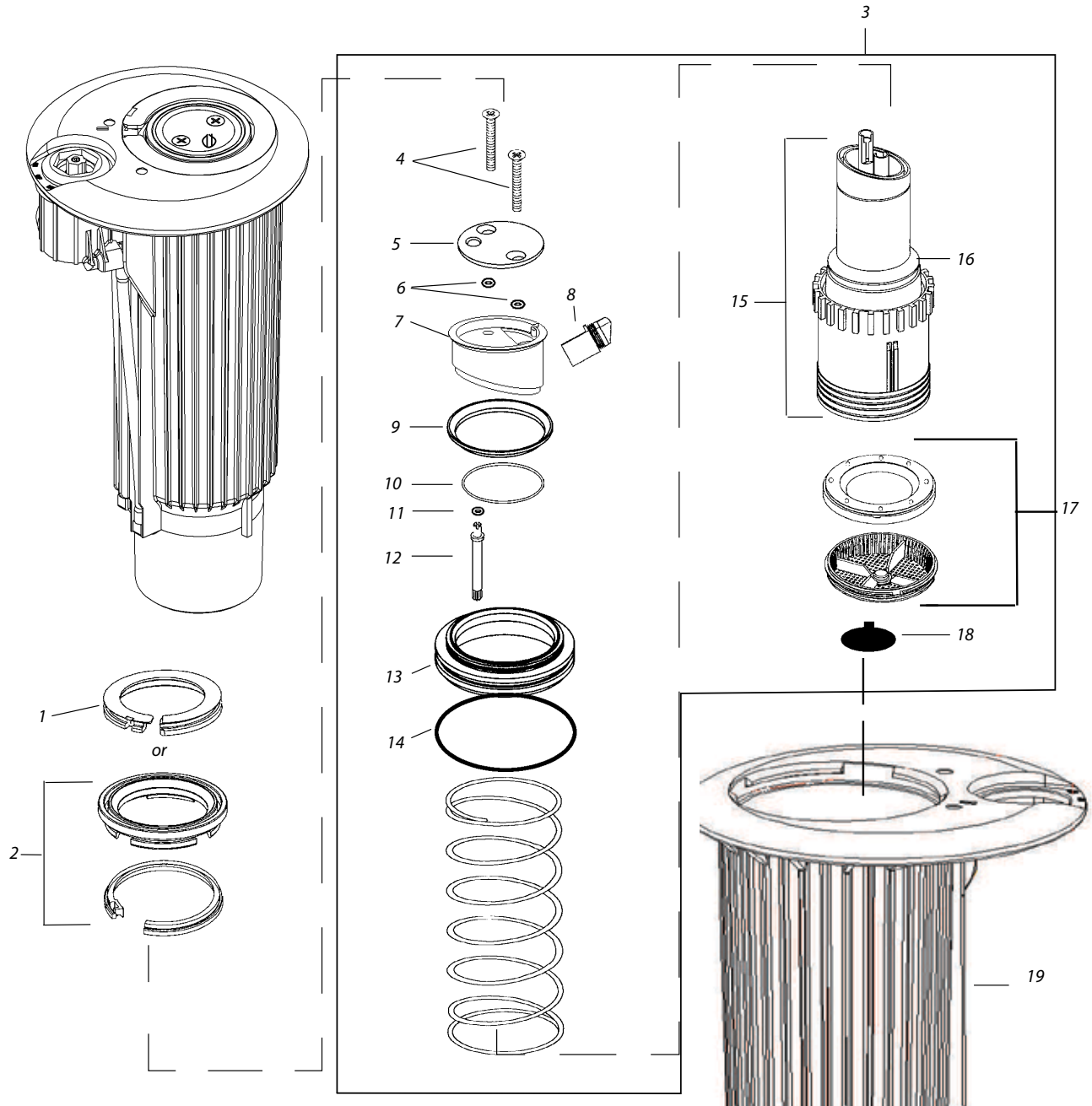
Stator with 4 Holes

Stator with 8 Holes



Note: Part numbers enclosed in brackets () are not available individually, but may be sold in assemblies or kits.

January 1, 2015



Note: Part numbers enclosed in brackets () are not available individually, but may be sold in assemblies or kits.

January 1, 2015

Ref.	Part Description	Otv.	550-E	550-S/H	550B
SNAP RINGS					
1	Snap Cover (excluding BRC)	1	211921-01	211921-01	211921-01
2	Rubber Cover Kit	1	212551	212551	211355
INTERNAL ASSEMBLY					
3	Internal Assembly (A) (C)	1	214751-xx	214751-xx	214651-xx
COVER ASSEMBLY					
4	Self-Tapping Screw	2	210974	210974	210974
5	Housing Cover	1	211281	211281	211281
6	Screw O-ring	2	211236	211236	211236
NOZZLES					
7	Nozzle Housing- Black (D)	1	210356-01	210356-01	210356-01
8	Range Nozzle Assembly (A)	1	213500-xx	213500-xx	21500-xx
9	Retract Seal	1	210354	210354	210354
17	Stator / Screen Kit	1	210403-01	210403-01	210403-01
18	Seal-a-Matic™ Screen Assy(B/BRC Only)	1	—	—	211292
BEARING / RISER-MOTOR ASSEMBLY					
10	Nozzle Housing O-Ring	1	210366	210366	210366
11	Arc Adjustment Stem O-Ring	1	211236	211236	211236
12	Arc Adjustment Stem	1	210420	210420	210420
13	Bearing Guide Assy, STD	1	211147	—	—
13	Bearing Guide Assy, LO-FLOW (E)	1	—	211263	211263
14	Bearing Guide O-Ring	1	211242	211242	211242
15	Riser Motor Assembly	1	210535	210535	210535
16	Pop-up Seal (White)	1	210399	210399	210399

20 CASE ASSEMBLY See Catalog No. 464

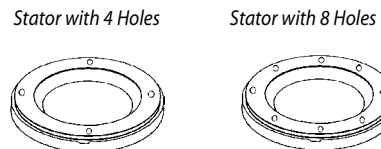
- (A) Specify Nozzle Size when ordering. Available in # 52, 53, 54.
- (B) Also requires Seal-a-Matic™ Screen Assy(B/BRC) Part # 211292
- (C) 550 Internals discontinued 3/2011. Use 751 Internals as replacement. Specify Nozzle size when ordering. #20, #22.
- (D) For non-potable applications use standard part and purple snap ring part # 211921-04
- (E) The LO-FLOW Bearing Guide #211263 may also be used on the 550 Series Electric rotor
- (F) For smooth case rotors use part # 211602

Ref.	KITS & Accessories	Otv.	P/N
1	Snap-Cover, Yellow		211921-02
1	Snap-Cover, White		211921-03
1	Snap-Cover, Purple (Non-Potable)		211921-04
Rubber Cover Kit (E/H/S)			(F)212551
2A	Rubber Cover, Snap Ring	1	
2B	Snap Ring, Upper	1	
5	Rubber Cover, Housing	1	
—	Rubber Case Cover (E/H/S)	1	
Rubber Cover Kit (B & BRC)			211355
2A	Rubber Cover, Snap Ring	1	
2B	Snap Ring, Upper	1	
5	Rubber Cover, Housing	1	
—	Rubber Case Ring (B case)	1	
5	Cover, Yardage Marker Blank (White)		211996-03
	Cover, Yardage Marker Blank (Black)		211996-01
Diffuser Screw Kit (#52 & 53 only)			211964-52
—	(Includes modified Range Nozzle)		211964-53
7	Nozzle Housing, Drilled & Tapped	1	
8	Range Nozzle Assy, Modified	1	
—	Diffuser Screw (not shown)	1	
5	Cover, (Notched)	1	
9	Retract Seal	1	
6	Screw O-Ring	2	
EAGLE's Tail Kit (Black) - without nozzle			212029
7	Housing, Nozzle, Drilled in back	1	
—	Close-in Spreader Nozzle, 700	1	211452
5	Housing Cover	1	
10	Retract Seal	1	
6	Screw O-Ring	2	
—	EAGLE's Tail Instruction Sheet	1	

Stator / Poppet Configurations

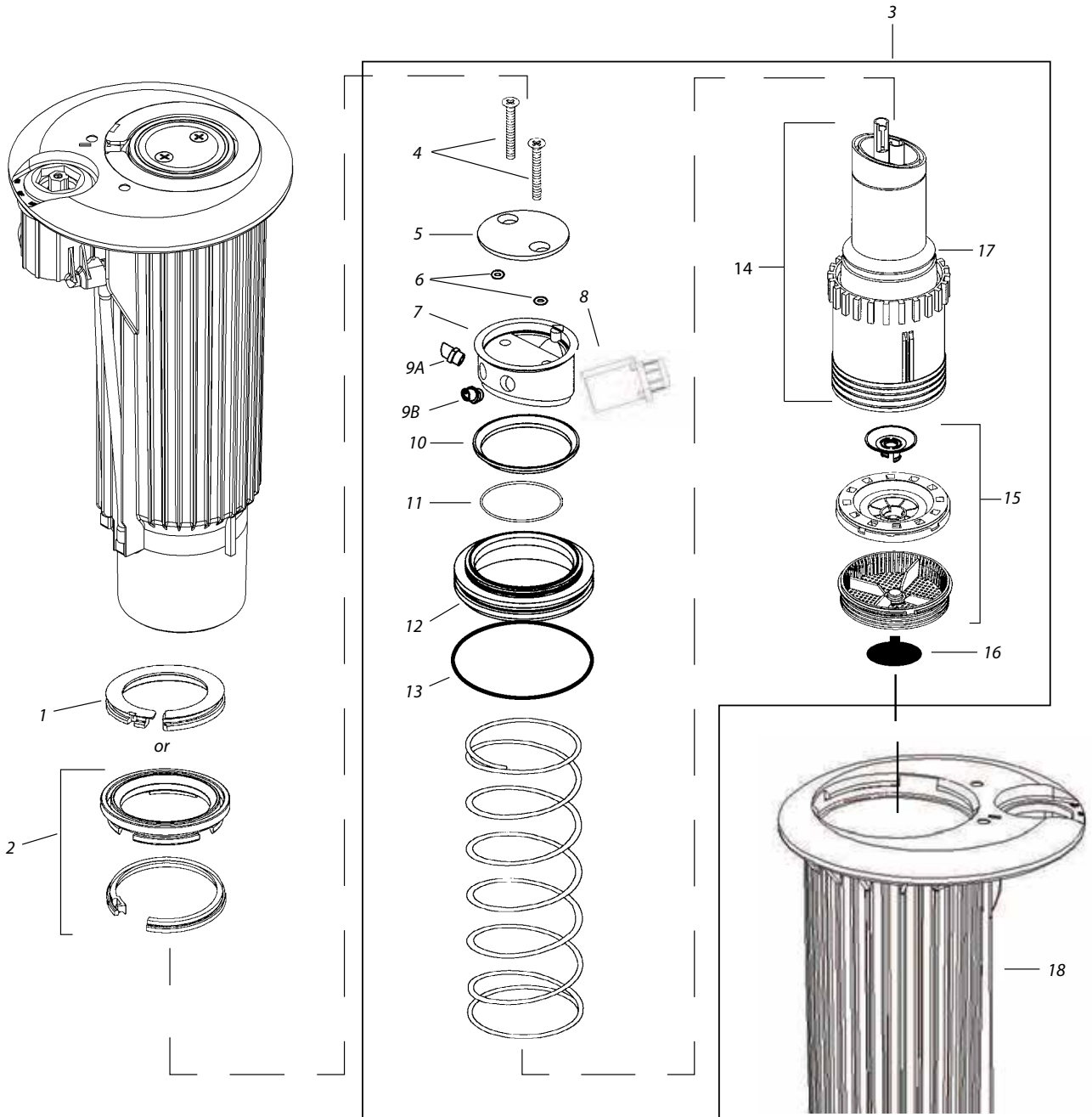
Color	Number	Electric Pressure Setting psi (bars)				Hyd, SAM, B
		60 (4,1)	70 (4,8)	80 (5,5)	100 (6,9)	B
Beige	#52	S4	S4	S4	S4	S4
Gray	#53	S4	S4	S4	S4	S4
Red	#54	S8	S8	S8	S8	S8

S4 = Stator with 4 Holes S8 = Stator with 8 Holes



Note: Part numbers enclosed in brackets () are not available individually, but may be sold in assemblies or kits.

January 1, 2015



Note: Part numbers enclosed in brackets () are not available individually, but may be sold in assemblies or kits.

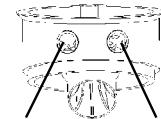
January 1, 2015

Ref. Part Description	Qty.	700-E	700-S/H	700B
SNAP RINGS				
1 Snap Cover (excluding BRC)	1	211921-01	211921-01	211921-01
2 Rubber Cover Kit	1	212551	212551	211355
INTERNAL ASSEMBLY				
3 Internal Assembly (A)(B)(C)	1	214700-xx	214700-xx	214600-xx
COVER ASSEMBLY				
4 Self-Tapping Screw	2	210974	210974	210974
5 Housing Cover	1	210252	210252	210252
6 Cover Screw O-Ring	2	211236	211236	211236
NOZZLES				
7 Dual Spreader Nozzle Housing - Black (B)(D)	1	213710	213710	213710
8 Range Nozzle Assembly (A)	1	213700-xx	213700-xx	213700-xx
9A Mid-Range Spreader Nozzle	1	See Diagram Below		
9B Close-in Spreader Nozzle	1	See Diagram Below		
10 Retract Seal	1	210354	210354	210354
15 Stator/Screen Kit	1	210403-01	210403-01	210403-01
-Stator	1	—	—	—
-Poppet	1	—	—	—
-Screen	1	—	—	—
16 Seal-a-Matic Screen Assy (B/BRC Only)	1	—	—	211292
BEARING / RISER-MOTOR ASSEMBLY				
11 Nozzle Housing O-Ring	1	210366	210366	210366
12 Bearing Guide Assy, STD	1	211147	—	—
12 Bearing Guide Assy, LO-FLOW (E)	1	—	211263	211263
13 Bearing Guide O-Ring	1	211242	211242	211242
14 Riser Motor Assembly	1	214700-00	214700-00	214700-00
17 Pop-up Seal (White)	1	210399	210399	210399
18 CASE ASSEMBLY	See Catalog No. 464			

- (A) Specify Nozzle Size when ordering. Available in # 28, 32, 36, 40, 44, 48.
- (B) For Non-Potable applications, use standard part and purple snap ring (Part # 211921-04)
- (C) Replacement Internal Assembly - upgrade to Rain Bird 700
- (D) Replacement Dual Spreader Nozzle Housing upgrade to Rain Bird 700 Nozzle Housing. Requires two (2) 700/751 Nozzle Housing Screws (Part # 214754)
- (E) The LO-FLOW Bearing Guide #211263 may also be used on the 700 Series Electric rotors.
- (F) For Smooth case rotors use Part # 211602

Part #	Description
211562	Spreader Nozzle - Blue
213705	Spreader Nozzle - Blue W/Diffuser
211417	Spreader Nozzle - Black
211452	Spreader Nozzle - Black W/Diffuser
213701	Spreader Nozzle - Green
212291	Spreader Nozzle - Red
213702	Spreader Nozzle - Orange
211593	Spreader Nozzle Plug
213703	White Diffuser Insert - 500/550/700/750/751

Ref. KITS & Accessories	Qty.	P/N
1 Snap-Cover, Yellow		211921-02
1 Snap-Cover, White		211921-03
1 Snap-Cover, Purple (Non-Potable)		211921-04
Rubber Cover Kit (E/H/S) (F)212551		
- Rubber Cover, Snap Ring	1	
- Snap Ring, Upper	1	
- Rubber Cover, Housing	1	
- Rubber Case Cover (E/H/S)	1	
Rubber Cover Kit (B & BRC) 211355		
- Rubber Cover, Snap Ring	1	
- Snap Ring, Upper	1	
- Rubber Cover, Housing	1	
- Rubber Case Ring (B case)	1	
5 Cover, Yardage Marker Blank (Black)		211752-01



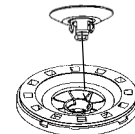
	Mid-Range nozzle (9A)	Close-In nozzle (9B)
Dual Spreader:	#28-36 Blue Part No.: 211562 #40-48 Black w/o insert Part No.: 211417	Always Black With White Cascade Insert Part No.: 211452
Cascade:	Plugged Part No.: 211593	With White Cascade Insert Always Black Part No.: 211452
Original:	Black w/o insert Part No.: 211417	Plugged Part No.: 211593

Stator / Poppet Configurations - Dual Spreader & Cascade

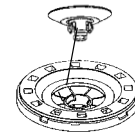
Color	Number	Electric Pressure Setting				Hyd,
		psi (bars)				SAM,
		60 (4,1)	70 (4,8)	80 (5,5)	100 (6,9)	B
White	#28 / 14C	SPC	SPC	SPC	SPC	SPC
Blue	#32 / 16C	SPO	SPO	SPO	SPO	SPO
Yellow	#36 / 18C	SPO	SPO	SPO	SPO	SPO
Orange	#40 / 20C	SNP	SNP	SNP	SNP	SNP
Green	#44 / 22C	SNP	SNP	SNP	SNP	SNP
Black	#48 / 24C	N/R	SNP	SNP	SPR	SNP

SPC = Stator with Poppet Closed SO = Screen Only
 SPO = Stator with Poppet Open SPR = Spacer and Screen
 SNP = Stator No Poppet N/R = Not a Recommended Pressure and Nozzle Setting

Stator with Poppet Closed
Should be tight when snapped in

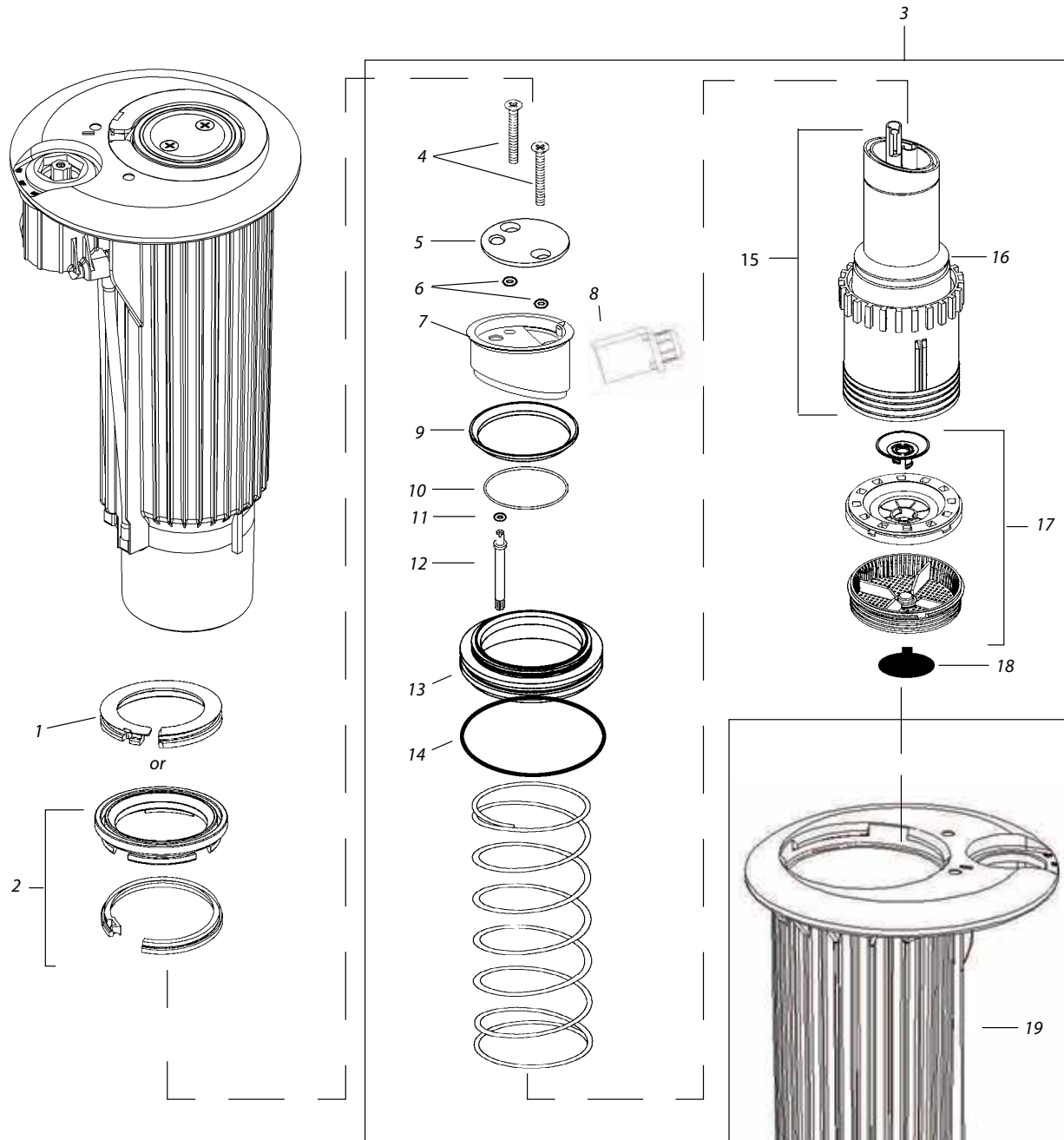


Stator with Poppet Open
Should be loose when snapped in



Note: Part numbers enclosed in brackets () are not available individually, but may be sold in assemblies or kits.

January 1, 2015



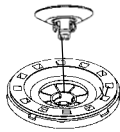
Note: Part numbers enclosed in brackets () are not available individually, but may be sold in assemblies or kits.

January 1, 2015

Ref.	Part Description	Qty.	750-E	750-S/H	750B
SNAP RINGS					
1	Snap Cover (excluding BRC)	1	211921-01	211921-01	211921-01
2	Rubber Cover Kit	1	212552	212552	211355
INTERNAL ASSEMBLY					
3	Internal Assembly (A)	1	214751-xx	214751-xx	214651-xx
COVER ASSEMBLY					
4	Self-Tapping Screw	2	210974	210974	210974
5	Housing Cover	1	210355	210355	210355
6	Cover Screw O-Ring	2	211236	211236	211236
NOZZLES					
7	Dual-Spreader™ Nozzle Housing(B)(D)	1	211982-01	211982-01	211982-01
8	Range Nozzle Assembly	1	213750-xx	213750-xx	213750-xx
9	Retract Seal	1	210354	210354	210354
17	Stator/Screen Kit	1	210403-01	210403-01	210403-01
	-Stator	1	—	—	—
	-Poppet	1	—	—	—
	-Screen	1	—	—	—
18	Seal-a-Matic™ Screen Assy (B/BRC Only)	1	—	—	211292
BEARING / RISER-MOTOR ASSEMBLY					
10	Nozzle Housing O-Ring	1	210366	210366	210366
11	Arc Adjustment Stem O-Ring	1	211236	211236	211236
12	Arc Adjustment Stem	1	210420	210420	210420
13	Bearing Guide Assy, STD	1	211147	—	—
13	Bearing Guide Assy, LO-FLOW (C)	1	—	211263	211263
14	Bearing Guide O-Ring	1	211242	211242	211242
15	Riser Motor Assembly	1	214751-00	214751-00	214751-00
16	Pop-up Seal (White)	1	210399	210399	210399
19	CASE ASSEMBLY See Catalog No. 464				

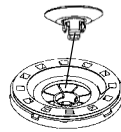
- (A) Specify Nozzle Size when ordering. Available in # 28, 32, 36, 40, 44, 48. To replace cascade nozzles (#14-24), double the nozzle number and upgrade to dual spreader nozzles. (eg. for #18 cascade, order #36 dual spreader.)
- (B) For non-potable applications use standard part and purple snap ring (Part # 211921-04)
- (C) The LO-FLOW Bearing Guide #211263 may also be used on the 750 Series Electric rotors.
- (D) For cascade nozzle housing upgrade to Dual-Spreader™ nozzle housing - Part # 211982-01 and Nozzle - part # 213750-xx
- (E) For smooth case rotors use Part # 211602

Stator with Poppet Closed



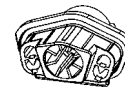
Should be tight when snapped in

Stator with Poppet Open

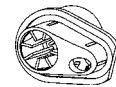


Should be loose when snapped in

Ref.	KITS & Accessories	Qty.	P/N
1	Snap-Cover, Yellow		211921-02
1	Snap-Cover, White		211921-03
1	Snap-Cover, Purple (Non-Potable)		211921-04
Rubber Cover Kit (E/H/S)			(E)212551
2A	Rubber Cover, Snap Ring	1	
2B	Snap Ring, Upper	1	
5	Rubber Cover, Housing	1	
-	Rubber Case Cover (E/H/S)	1	
Rubber Cover Kit (B & BRC)			211355
2A	Rubber Cover, Snap Ring	1	
2B	Snap Ring, Upper	1	
5	Rubber Cover, Housing	1	
-	Rubber Case Ring (B case)	1	
5	Cover, Yardage Marker Blank (White)		211996-03
5	Cover, Yardage Marker Blank (Black)		211996-01
Diffuser Screw Kit, Dual Spreader (B) (Without Nozzle)			212295
7	Nozzle Housing, Drilled & Tapped	1	
-	Diffuser Screw (not shown)	1	
5	Housing Cover (Notched)	1	
9	Retract Seal	1	
6	Cover Screw O-Ring	2	
EAGLE'S TAIL KITS			
-	Dual-Spreader (without nozzle) (Black)		212287
7	Housing, Nozzle, Drilled in back	1	
-	Close-in Spreader Nozzle, 700	1	211452
5	Housing Cover	1	
9	Retract Seal	1	
6	Cover Screw O-Ring	2	
-	EAGLE's Tail Instruction Sheet	1	



750 Dual-Spreader Nozzle



750 Cascade Nozzle (obsolete)

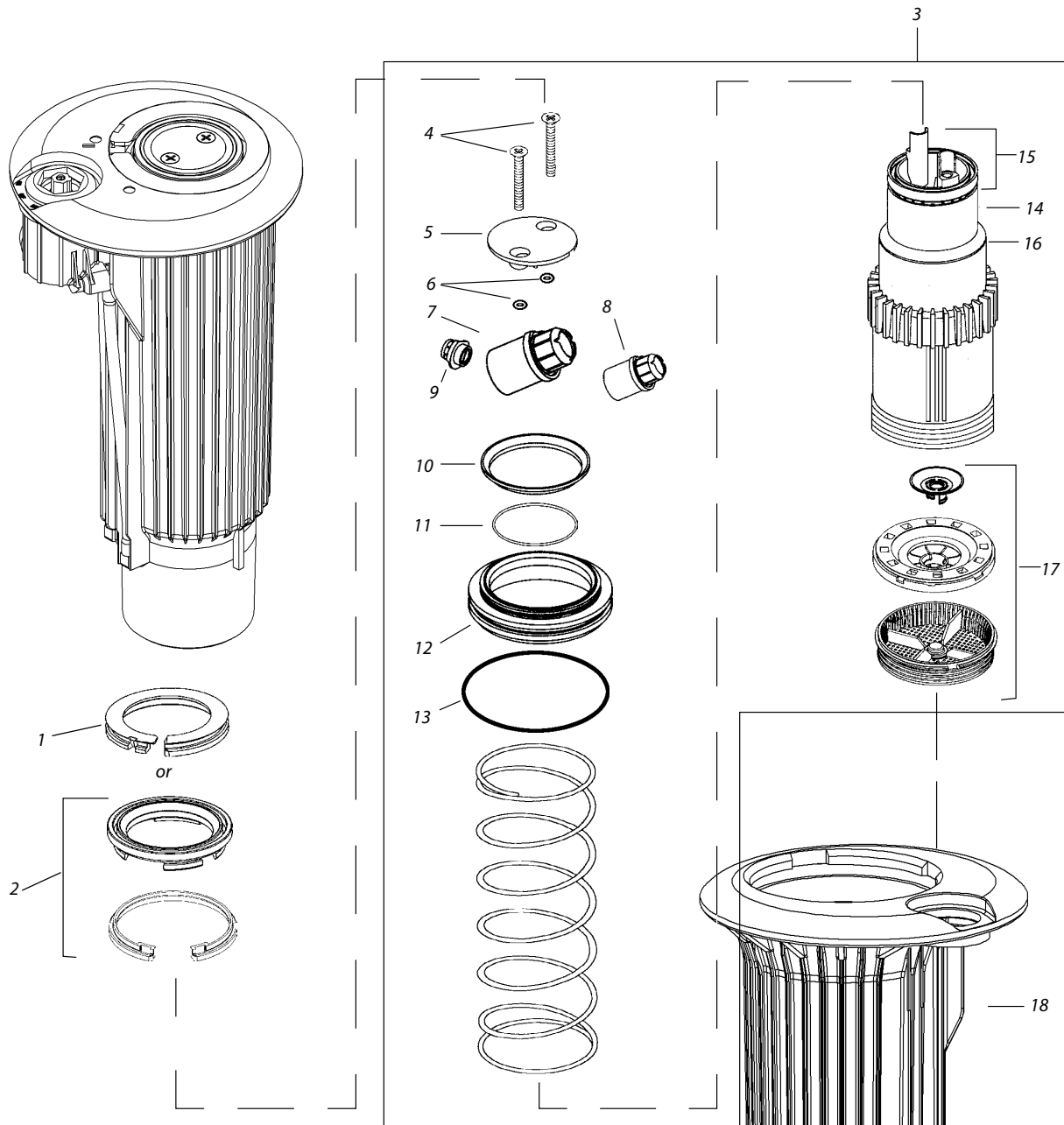
Stator / Poppet Configurations - Dual-Spreader & Cascade

Color	Number	Electric Pressure Setting				Hyd, SAM, B
		psi (bars)				
		60 (4,1)	70 (4,8)	80 (5,5)	100 (6,9)	
White	28/14C	SPC	SPC	SPC	SPC	SPC
Blue	32/16C	SPO	SPO	SPO	SPO	SPO
Yellow	36/18C	SPO	SPO	SPO	SPO	SPO
Orange	40/20C	SNP	SNP	SNP	SNP	SNP
Green	44/22C	SNP	SNP	SNP	SNP	SNP
Black	24C	SNP	SPR	SPR	SPR	SNP
Black	#48	SPR	SPR	SPR	SPR	SNP

SPC = Stator with Poppet Closed SPR = Spacer and Screen
 SPO = Stator with Poppet Open N/R=Not a Recommended Pressure
 SNP = Stator No Poppet and Nozzle Setting

Note: Part numbers enclosed in brackets () are not available individually, but may be sold in assemblies or kits.

January 1, 2015



Note: Part numbers enclosed in brackets () are not available individually, but may be sold in assemblies or kits.

January 1, 2015

Ref.	Part Description	Otv.	900-E	900-S/H
SNAP RINGS				
1	Snap Cover (all models)	1	211934-01	211934-01
2	Rubber Cover kit	1	212553	212553
INTERNAL ASSEMBLY				
3	Internal Assembly (A)(B)	1	210786-xx	210786-xx
COVER ASSEMBLY				
4	Self-Tapping Screw	2	210975	210975
5	Housing Cover	1	211966	211966
6	Screw O-Ring	2	209778	209778
NOZZLES				
7	Nozzle Housing - Black (B)(C)	1	211967	211967
8	Range Nozzle Assembly	1	213900-xx	213900-xx
9	Spreader Nozzle Assembly	1	See chart Below	
10	Retract Seal	1	210231	210231
17	Stator/Screen Kit	1	210232	210232
-	Poppet	1	—	—
-	Screen	1	—	—
-	Stator	1	—	—
BEARING / RISER-MOTOR ASSEMBLY				
11	Nozzle Housing O-Ring	1	210168	210168
12	Bearing Guide Assy, STD	1	211460	—
12	Bearing Guide Assy, LO-FLOW (D)	1	—	211461
13	Bearing Guide O-Ring	1	212383	212383
14	Riser Motor Assembly	1	209836	209836
15	Nozzle Base Replacement Kit w/seals	1	212060	212060
16	Pop-up Seal (White)	1	209781	209781
18	CASE ASSEMBLY See Catalog No. 466			

- (A) Specify Nozzle Size when ordering. Available in High Performance nozzle sizes # 44, 48, 52, 56, 60, 64.
- (B) For Non-Potable applications, use standard part and purple snap ring - Part # 211934-04
- (C) The Nozzle Housing was changed 8/99 to accommodate the new Spreader for the High Performance nozzles. All 900 rotors and Nozzle/Housings manufactured after 8/99 have the new Nozzle Housing. Upgrade to High Performance Nozzle.
- (D) The LO-FLOW Bearing Guide #211461 may also be used on the 900 Series Electric rotor.
- (E) For smooth case rotors use Part # 211598

Spreader Nozzles	
If Range Nozzle is:	then use:
44 - 48	Part No.: 213904 (Blue)
52 - 64	Part No.: 213905 (Black)

Ref.	KITS & Accessories	Otv.	P/N
1	Snap-Cover, Yellow		211934-02
1	Snap-Cover, White		211934-03
1	Snap-Cover, Purple (Non-Potable)		211934-04
Rubber Cover Kit			(E)212553
-	Snap Ring Rubber Cover	1	
-	Upper Snap Ring	1	
-	Housing Rubber Cover	1	
-	Rubber Case Cover	1	
5	Cover, Yardage Marker Blank (White)		212284-03
	Cover, Yardage Marker Blank (Black)		212284-01
Diffuser Screw Kit			(B)212144
(For high performance nozzles 44-64)			
7	Nozzle Housing, Drilled & Tapped	1	
-	Diffuser Screw, installed	1	
5	Cover, (Notched)	1	
9	Spreader Nozzle Assembly	1	
10	Retract Seal	1	
6	Screw O-Ring	2	

Stator / Poppet Configurations - High Performance and Standard Nozzles

Color	Number	Electric Pressure Setting psi (bars)			Hyd, SAM, B
		60 (4,1)	70 (4,8)	80 (5,5) 100 (6,9)	
Blue	#44	SPC	SPC	SPC	SPC
Yellow	#48	SPC	SPC	SPO	SPC
Orange	#52	SPC	SPO	SPO	SPO
Green	#56	N/R	SNP	SNP	SNP
Black	#60	N/R	SNP	SPR	SPR
Red	#64	N/R	N/R	SPR	SPR
White	#18C	SPC	SPC	SPC	SPC
Gray	#20C	SPC	SPC	SPC	SPC
Blue	#22C	SPC	SPC	SPC	SPC
Yellow	#24C	SPC	SPC	SPO	SPO
Orange	#26	SPO	SPO	SPO	SPO
Green	#28	N/R	SNP	SPR	SPR
Black	#30	N/R	SNP	SPR	SPR
Brown	#32	N/R	N/R	SPR	SPR

SPC = Stator with Poppet Closed

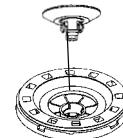
SPO = Stator with Poppet Open

SNP = Stator No Poppet

SPR = Spacer

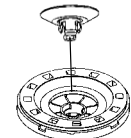
N/R=Not a Recommended Pressure and Nozzle Setting

Stator with Poppet Closed



Should be tight when snapped in

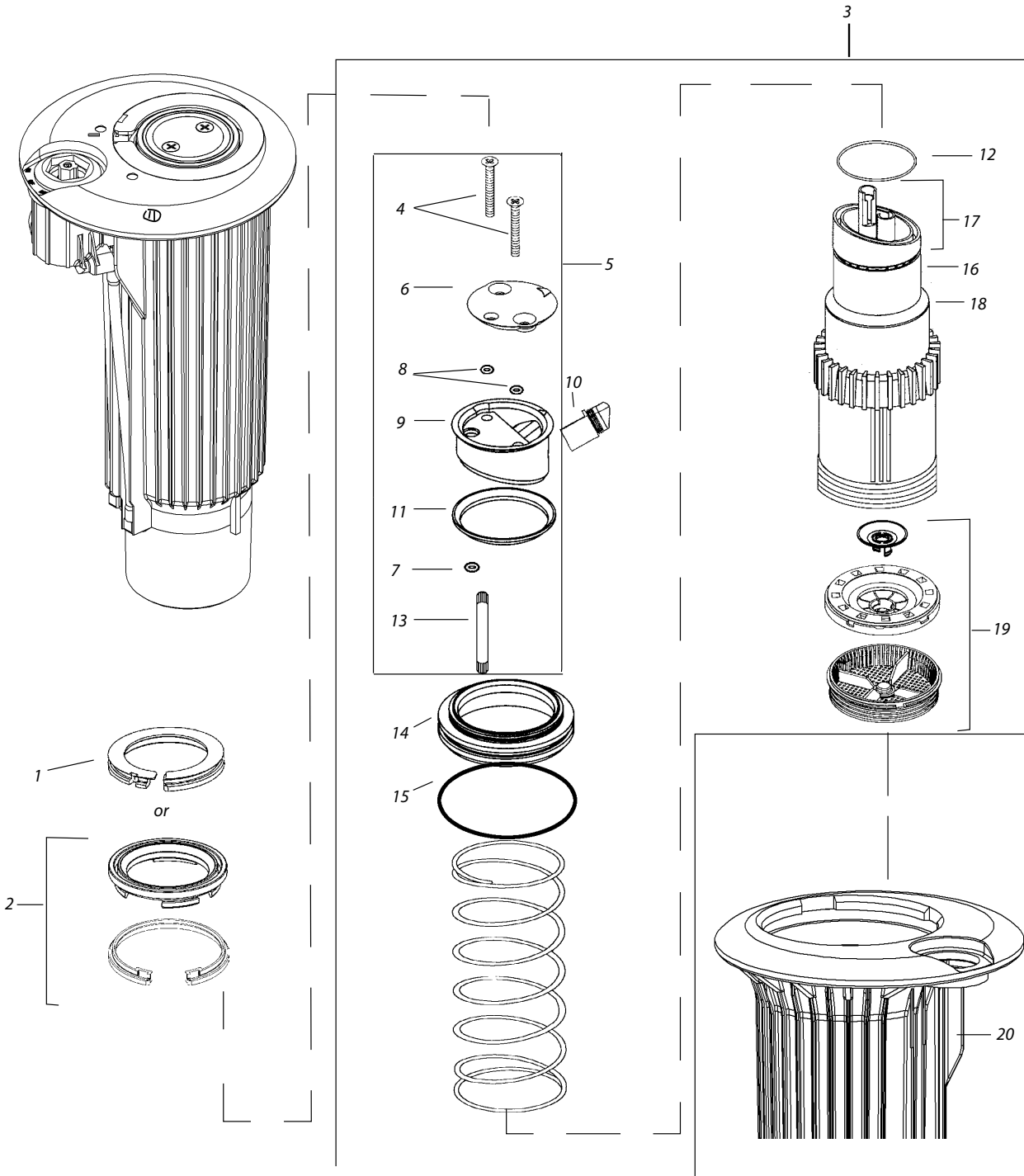
Stator with Poppet Open



Should be loose when snapped in

Note: Part numbers enclosed in brackets () are not available individually, but may be sold in assemblies or kits.

January 1, 2015



Note: Part numbers enclosed in brackets () are not available individually, but may be sold in assemblies or kits.

January 1, 2015

Ref.	Part Description	Qty.	950-E	950-S/H
SNAP RINGS				
1	Snap Cover (all models)	1	211934-01	211934-01
2	Rubber Cover Kit	1	212554	212554
INTERNAL ASSEMBLY				
3	Internal Assembly (B,C)	1	211442-xx	211442-xx
COVER ASSEMBLY				
4	Self-Tapping Screw	2	210975	210975
5	One Piece Arc Adjust Conversion Kit(A)(B)	1	212893	212893
6	Housing Cover (on & after 11/06) (A)	1	212820-01	212820-01
8	Screw O-ring	2	209778	209778
NOZZLES				
9	Nozzle Housing-Black(on & after 11/06)(A)(B)	1	212822	212822
10	Range Nozzle Assembly (C)	1	213950-xx	213950-xx
11	Retract Seal	1	210231	210231
19	Stator/Screen Kit	1	210232	210232
	- Poppet		—	—
	- Stator		—	—
	- Screen		—	—
BEARING / RISER-MOTOR ASSEMBLY				
12	Nozzle Housing O-Ring	1	210436	210436
13	Adjustment Stem (on & after 11/06) (A)1		—	—
14	Bearing Guide Assy, STD	1	211460	—
14	Bearing Guide Assy, LO-FLOW (D)	1	—	211461
15	Bearing Guide O-Ring	1	212383	212383
16	Riser Motor Assembly	1	210439	210439
17	Nozzle Base Replacement Kit w/seals	1	212061	212061
18	Pop-up Seal (White)	1	209781	209781
20	CASE ASSEMBLY See Catalog No. 466			

- (A) One Piece Arc Adjust incorporated 11/06. Prior to 11/06. Upgrade to the One Piece Arc Adjust Kit. Part # 212893.
- (B) For non-potable applications, use standard part and purple snap ring - Part # 211934-04.
- (C) Specify Nozzle Size when ordering. Available in # 18, 20, 22, 24,26,28,30,32
- (D) The LO-FLOW Bearing Guide #211461 may also be used on the 950 Series Electric Rotor.E For smooth case rotors ue part # 211599.

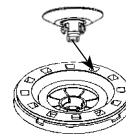
Ref.	KITS & Accessories	Qty.	P/N
1	Snap-Cover, Yellow		211934-02
1	Snap-Cover, White		211934-03
1	Snap-Cover, Purple (Non-Potable)		211934-04
Rubber Cover Kit			(E)212554
-	Snap Ring Rubber cover	1	
-	Upper snap ring	1	
-	Housing Rubber cover	1	
-	Rubber Case Cover	1	
5	Cover, Yardage Marker Blank (White) (A)		212141-03
5	Cover, Yardage Marker Blank (Black) (A)		212141-01
Diffuser Screw Kit			(B)212145
9	Nozzle Housing, Drilled & Tapped	1	
-	Diffuser Screws	2	
5	Cover, Notched	1	
11	Retract Seal	1	
8	Screw O-Ring	2	
EAGLE's TAIL KIT (Black)			(B)211900
9	Housing, Nozzle, Drilled in back	1	
-	Close-in Spreader Nozzle, 700	1	211452
5	Housing cover	1	
11	Retract Seal	1	
8	Screw O-Ring	2	
	EAGLE's Tail Instruction Sheet	1	

Stator / Poppet Configurations - Cascade & Non-Cascade

Color	Number	Electric Pressure Setting psi (bars)				Hyd, SAM
		60 (4,1)	70 (4,8)	80 (5,5)	100 (6,9)	
White	#18C	SPC	SPC	SPC	SPC	SPC
Gray	#20C	SPC	SPC	SPC	SPC	SPC
Blue	#22C	SPC	SPC	SPC	SPC	SPC
Yellow	#24C	SPC	SPC	SPO	SPO	SPO
Orange	#26	SPO	SPO	SPO	SPO	SPO
Green	#28	N/R	SNP	SO	SO	SPR
Black	#30	N/R	SNP	SO	SO	SPR
Brown	#32	N/R	N/R	SO	SO	SPR

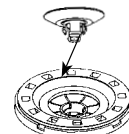
SPC = Stator with Poppet Closed SPR = Spacer and Screen
 SPO = Stator with Poppet Open SO = Screen Only
 SNP = Stator No Poppet N/R=Not a Recommended Pressure and Nozzle Setting

Stator with Poppet Closed



Should be tight when snapped in

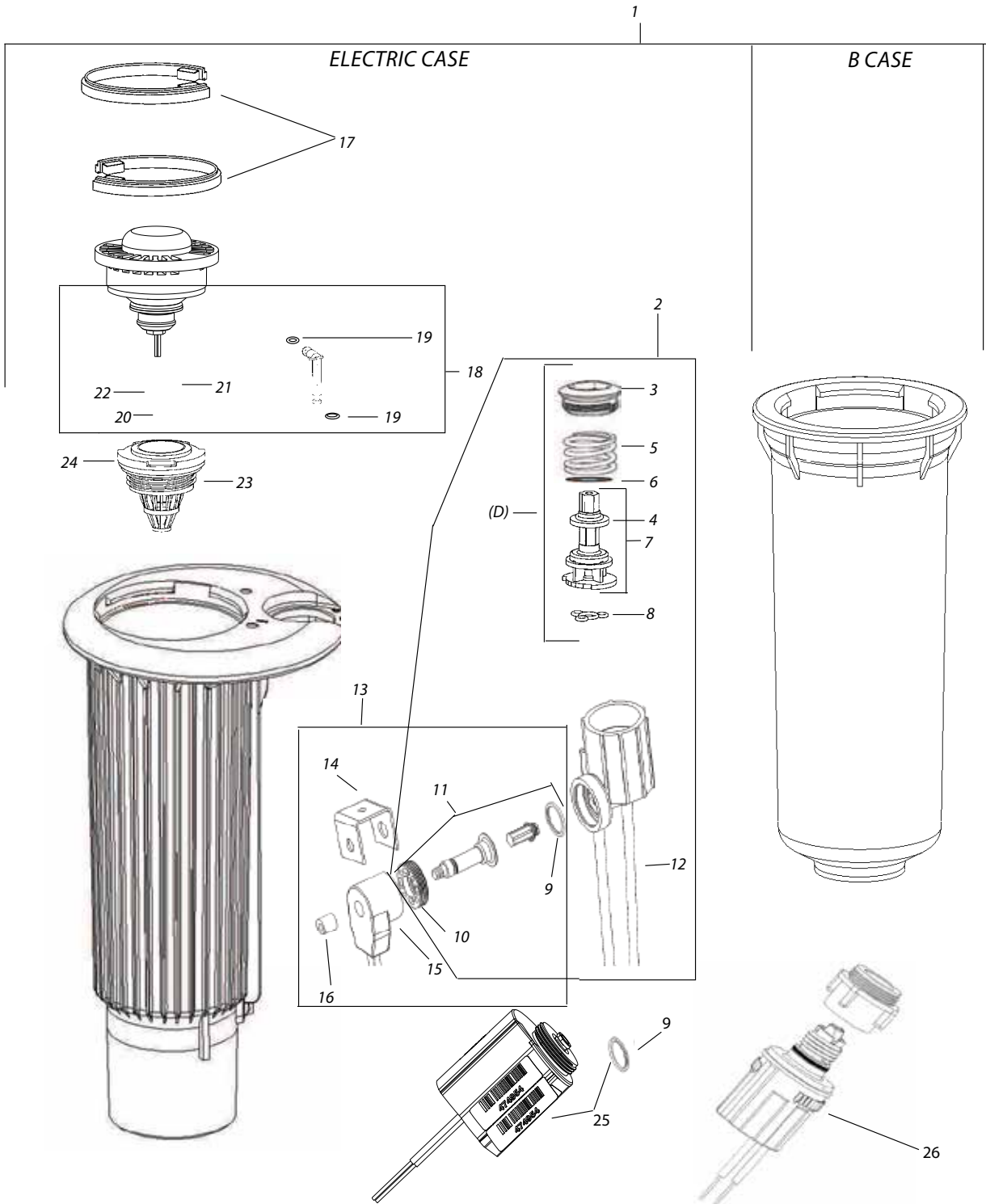
Stator with Poppet Open



Should be loose when snapped in

Note: Part numbers enclosed in brackets () are not available individually, but may be sold in assemblies or kits.

January 1, 2015



Note: Part numbers enclosed in brackets () are not available individually, but may be sold in assemblies or kits.

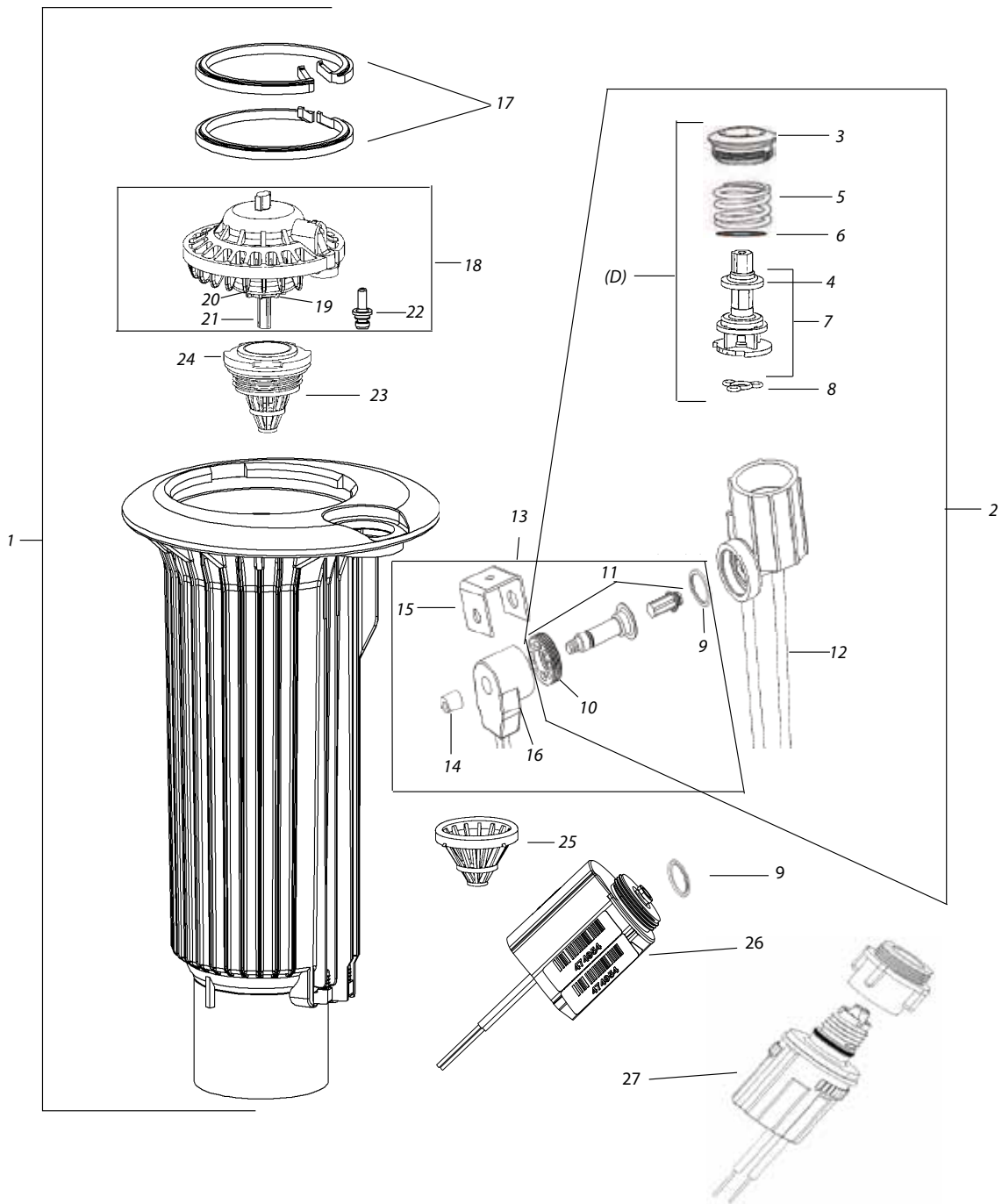
January 1, 2015

Ref.	Part Description	Qty.	Electric	SAM/Hydraulic	B case	IC
CASE ASSEMBLIES						
EAGLE 700 / 750						
1	Case Assembly (NPT)	1	(A)	(A)	211489-01	(A)
-	Case Assembly (BSP)	1	(B) 212462-xx (H)	212464 (H)	211489-0 2(I)	(H)
-	Case Assembly (ACME)	1	(B) 212466-xx	212468	211489-03	(B) 213389xx
EAGLE 500 / 550						
1	Case Assembly (NPT)	1	(A)		211489-01	—
-	Case Assembly (BSP)	1	(B,C)	212464	211489-02	—
-	Case Assembly (ACME)	1	(B,C)	212468	211489-03	—
2	PRS/Selector Housing Assy (>6/95)	1	211418	—	—	—
3	Selector Cap	1	(D)	—	—	—
4	Stem Cover O-Ring	1	(D)	—	—	—
5	Compression Spring	1	(D)	—	—	—
6	Selector Spring Washer	1	(D)	—	—	—
7	PRS Cartridge, Upper Stem (Black)	1	(D)	—	—	—
8	Selector Seal (Green)	1	(D,F) 212244	—	—	—
9	Solenoid Base O-Ring	1	211237	—	—	—
10	Base Nut	1	602606	—	—	—
11	Plunger Core Tube Assy	1	(G)212972-01S	—	—	—
12	Tubing	2	(E)211607	(E)211607	—	—
13	Solenoid Assy	1	206920-01	—	—	—
14	U-Frame	1	212124S	—	—	—
15	Encapsulated Coil	1	602118	—	—	—
16	Solenoid Retainer	1	627167	—	—	—
17	Lower Snap Ring	2	210470	210470	—	—
18	Valve Assembly (700 / 750 Series)	1	211468	212322	—	—
18	Valve Assembly (500 / 550 Series)	1	212089S	212322	—	—
19	Probe O-Ring	2	211238	211238	—	—
20	Universal Filter	1	206092-02	—	—	—
21	Inlet Rubber Seal	1	212328S	212221	—	—
22	Seal Nut	1	211174	—	—	—
23	Top-Serviceable Rock Screen (TSRS) (>4/98) (White)	1	211714-01	211714-01	—	—
24	O-Ring for TSRS (Yellow)	1	210366	210366	—	—
25	ICM Module Assembly	1	214010	—	—	—
9	Solenoid Base O-Ring	1	211237	—	—	—
26	Golf Black Solenoid (GBS)	1	213462	—	—	—
KITS						
-	Tubing Repair Kit (E)	1	211607	—	—	—
-	Quick Connects for Tube Cuts	1	212159	212159	—	—
-	Rubber Cover Kit (B case Only)	1	—	—	211355	—
-	Rubber Cover Kit (500/550/700/750) - Smooth Case Rotor	1	211602	211602	—	—
-	Rubber Cover Kit (500/550/700/750) - Ribbed Case Rotor	1	212551	212551	—	—
TOOLS - For use on 500/550/700/750 Rotors						
-	Selector Service Tool Key (Orange Tool)	1	B41720	—	—	—
-	7" Selector Valve Key	1	D02215	—	—	—
-	18" Selector Valve Key	1	D02221	—	—	—
-	Snap Ring Pliers	1	D02236	D02236	—	—
-	Valve Insertion Tool	1	B41710	B41710	—	—
-	Installation Socket for TSRS	1	D02237	D02237	—	—
-	Universal Hose Adaptor	1	D05205	D05205	—	—

(A) 1 1/4" NPT cases not available. Upgrade to ACME case w/NPT to ACME adapter (212947S).
 (B) For Electric Case Assemblies specify pressure setting when ordering. 01=60 psi, -02 = 70 psi (4,8 bars), -03 = 80 psi (5,5 bars). Pressure settings are identified as follows: 70PSI-Blue, 80PSI-White
 (C) Use EAGLE 700/750 case assembly and replace valve with 500/550 valve assembly (212089S)
 (D) Included in PRS/Selector Repair Kit: Pre 4/01 use # 213366 (includes rust seal.), Post 4/01 use #212150 (includes green seal).
 (E) Tubing Repair Kit includes 20 tubes, ferrules and metal barbs.
 (F) Selector Seal, Rust (<4/01) #211663
 (G) For salt water Plunger Core Tube Assy - use Part # 212732
 (H) 1 1/4" BSP cases not available. Upgrade to ACME case w/ BSP to ACME adapter - Use part # (21337102)
 (I) 1" BSP cases not available. Upgrade to ACME case w/ BSP to ACME adapter - Use part # (21337101)

Note: Part numbers enclosed in brackets () are not available individually, but may be sold in assemblies or kits.

January 1, 2015



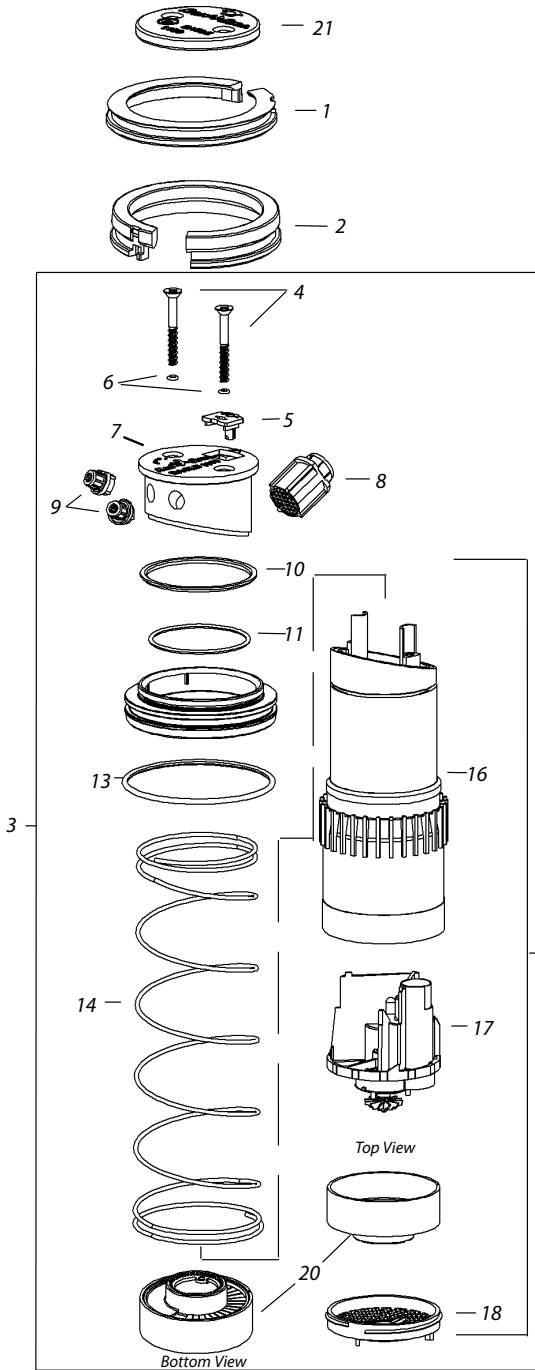
Note: Part numbers enclosed in brackets () are not available individually, but may be sold in assemblies or kits.

January 1, 2015

Ref.	Part Description	Qty.	Electric	SAM / Hydraulic	IC	
CASE ASSEMBLIES						
1	Case Assembly (NPT)	1	(A) 212469-03	(B)	—	
1	Case Assembly (BSP)	1	(C) 212472-xx (H)	—	—	
1	Case Assembly (ACME)	1	(C) 212475-xx	212477(C)	213390-xx	
2	PRS/Selector Housing Assy (>6/95)	1	212475-xxB	—	—	(A) Only available in 80psi (5,5bars)
3	Selector cap	1	(D)	—	—	(B) 1 1/2" NPT Case not available. Upgrade to ACME case w/NPT to ACME adaptor - use part# 212948S
4	Stem Cover O-Ring	1	(D)	—	—	(C) For Electric Case Assemblies specify pressure setting when ordering. -02 corresponds to 70psi (4,8bars); -03 = 80psi (5,5 bars); -04 = ~100psi (~6.9bars).
5	Compression Spring	1	(D)	—	—	(D) Included in PRS/Selector Repair Kit: Pre 4/01 use Part # 213366 (includes rust color seal), Post 4/01 use Part # 212150
6	Selector Washer	1	(D)	—	—	(E) Tubing repair Kit includes 20 tubes, ferrules and metal barbs.
7	PRS Cartridge	1	(D)	—	—	(F) Selector Seal, Rust (<4/01) - part # 211663.
8	Selector Seal (Green)	1	(D)(F) 212244	—	—	(G) For Salt Water Plunger Core Tube Assy - part # 212732
9	Solenoid Base O-Ring	1	211237	—	—	(H) 1 1/2" BSP cases not available. Upgrade to ACME case w/ BSP to ACME adapter - Use part # (21337103)
10	Base Nut	1	602606	—	—	
11	Plunger Core Tube Assy	1	(G)212972-01S	—	—	
12	Tubing	2	(E)211607	(E)211607	—	
13	Solenoid Assembly Kit	1	206920-01	—	—	
14	Solenoid Retainer	1	627167	—	—	
15	Solenoid U-Frame	1	212124S	—	—	
16	Encapsulated Coil	1	602118	—	—	
17	Lower Snap Ring (White)	2	208396	208396	—	
18	HPDV Valve Assembly	1	211266	212323	—	
19	Seal Nut (White)	1	211174	—	—	
20	Rubber Inlet Seal	1	211197	212220S	—	
21	Universal Filter	1	206092-02	—	—	
22	Probe & O-ring Assembly (Grey)	1	207402-01	207402-01	—	
-	Probe O-Ring (Yellow)	1	211238	211238	—	
23	Top-Serviceable Rock Screen (>9/98)	1	211714-02	211714-02	—	
24	Rock Screen O-ring (Grey)	1	210366	210366	—	
25	Inlet Screen (<9/98)	1	—	—	—	
26	ICM Module Assembly	1	214010	—	—	
9	Solenoid Base O-Ring	1	211237	—	—	
27	Golf Black Solenoid (GBS)	1	213462	—	—	
KITS						
-	Tubing Repair Kit (E)	1	211607	—	—	
-	Quick Connect for Tube Cuts	1	212159	212159	—	
-	Rubber Cover Kit 900 - Smooth Case	1	211598	211598	—	
-	Rubber Cover Kit 900 - Ribbed Case	1	211553	211553	—	
-	Rubber Cover Kit 950 - Smooth Case	1	211599	211599	—	
-	Rubber Cover Kit 950 - Ribbed Case	1	212554	212554	—	
TOOLS - For use on 900/950/1100/1150/115E Rotors						
-	Selector Service Took Key (Orange Toll)	1	B41720	—	—	
-	7" Selector Valve Key	1	D02215	—	—	
-	18" Selector Valve Key	1	D02221	—	—	
-	Snap Ring Pliers	1	D02203	D02203	—	
-	Valve Insertion Tool	1	B41700	B41700	—	
-	Installation Socket for TSRS	1	D02237	D02237	—	
-	Universal Hose Adapter	1	D05205	D05205	—	

Note: Part numbers enclosed in brackets () are not available individually, but may be sold in assemblies or kits.

January 1, 2015



Ref.	Part Description	Qty	1100-E	1100-S	1100-H
SNAP RINGS					
1	Snap Cover (all models)	1	212204-01	212204-01	212204-01
RUBBER COVER KIT					
2	Rubberized Snap Cover	1	—	—	—
21	Rubber Cover, Housing	1	212266S	212266S	212266S
6	Screw O-Ring	2	209778	209778	209778
INTERNAL ASSEMBLY					
3	Internal Assembly (A)	1	212438-xx	212438-xx	212438-xx
COVER ASSEMBLY					
4	Self Tapping Screw	2	210975	210975	210975
5	Diffuser Housing Insert	1	—	—	—
6	Screw O-Ring	2	209778	209778	209778
NOZZLES (Please specify nozzle size when ordering - See below)					
-	Nozzle/Housing Kit (A)	1	212602-xx	212602-xx	212602-xx
7	Nozzle Housing	1	—	—	—
8	Range Nozzle Assembly (A)	1	212604-xxs	212604-xxs	212604-xxs
9	Spreader Dual Nozzle Assembly(A)	1	212605-xx	s212605-xx	s212605-xxs
10	Retract Seal (Nozzle Housing)	1	—	—	—
18	Riser Screen	1	—	—	—
BEARING/RISER-MOTOR ASSEMBLY					
11	O-Ring Nozzle Housing	1	212255S	212255S	212255S
13	Bearing Guide O-Ring	1	212383	212383	212383
14	Retract Spring	1	212162S	212162S	212162S
15	Riser Motor Assembly	1	—	—	—
16	Riser - Seal Pop-Up	1	212172	212172	212172
17	Motor Housing (Replacement)	1	—	—	—
20	Stator Assembly - Common	1	212606	212606	212606
CASE ASSEMBLY (Please refer to EAGLE 900/950/1100/1150/115-E Series, catalog number 466)					
(A) Specify nozzle size when ordering. Available in #48 Blue, #57 Yellow, #63 Orange, #66 Green					

Stator Setting Configurations Factory

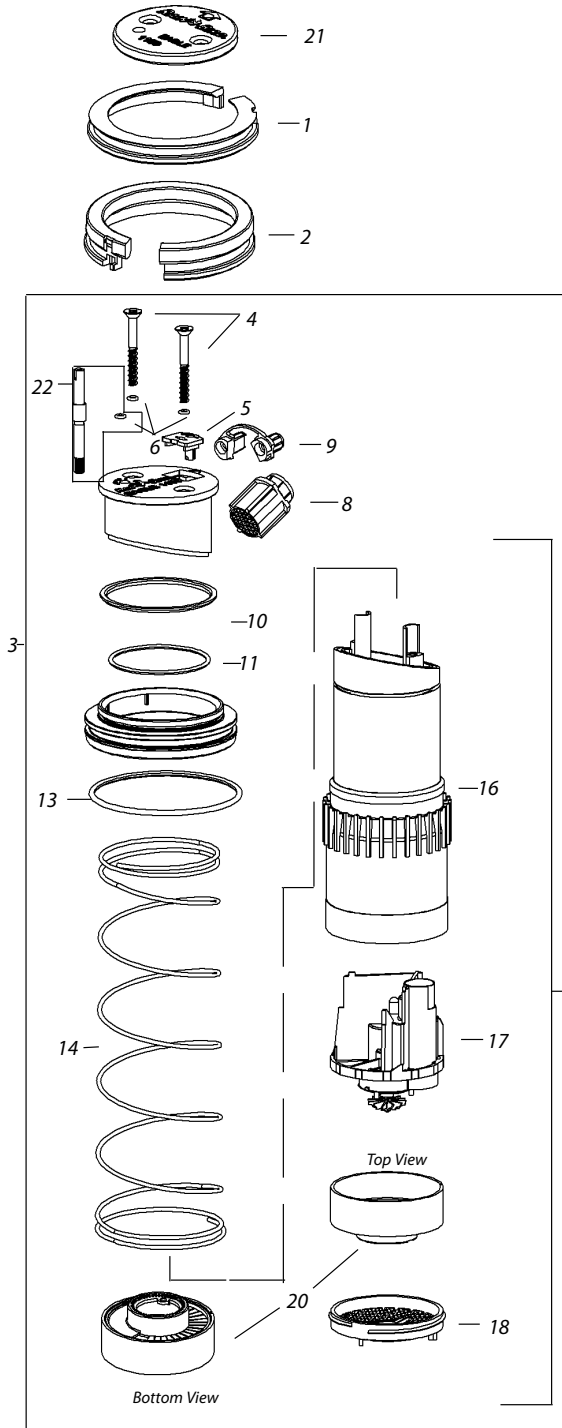
Number	Color of Range Nozzle	Electric Case Pressure Setting Psi (bars)				Hyd/SAM Set per Base Psi*
		80(5.5)	100(6.9)	120 (8.3)		
#48	Blue	10	11	12	10 - 12	
#57	Yellow	11	12	13	11 - 13	
#63	Orange	13	15	16	13 - 16	
#66	Green	14	16	16	14 - 16	

* Factory stator set for 80psi base pressure

Note: Stator settings to a lower number than factory will speed up rotation speed and shorten radius. Stator settings to a larger number than factory will slow rotation speed or cause non-rotation.

Note: Part numbers enclosed in brackets () are not available individually, but may be sold in assemblies or kits.

January 1, 2015



Ref.	Part Description	Qty	1150-E	1150-S	1150-H
SNAP RINGS					
1	Snap Cover (all models)	1	212204-01	212204-01	212204-01
RUBBER COVER KIT					
2	Rubberized Snap Cover	1	—	—	—
21	Housing Rubber Cover	1	—	—	—
6	Screw O-Ring	2	209778	209778	209778
INTERNAL ASSEMBLY					
3	Internal Assembly	1	212439-66S	212439-66S	212439-66S
COVER ASSEMBLY					
4	Self Tapping Screw	2	210975	210975	210975
5	Diffuser Housing Insert	1	—	—	—
22	Arc Adjustment Shaft Assembly	1	—	—	—
6	Screw O-Ring	3	209778	209778	209778
NOZZLES (Please specify nozzle size when ordering - See below)					
-	Nozzle/Housing Kit (A)	1	212609-xx	212609-xx	212609-xx
-	Nozzle/Housing Kit (Purple)	1	212610-66	212610-66	212610-66
7	Nozzle Housing	1	—	—	—
8	Range Nozzle Assembly (A)	1	212604-xxs	212604-xxs	212604-xxs
9	Spreader Dual Nozzle Assembly	1	212611S	212611S	212611S
10	Retract Seal (Nozzle Housing)	1	—	—	—
18	Riser Screen	1	—	—	—
BEARING/RISER-MOTOR ASSEMBLY					
11	O-Ring Nozzle Housing	1	212255S	212255S	212255S
13	Bearing Guide O-Ring	1	212383	212383	212383
14	Retract Spring	1	212162S	212162S	212162S
15	Riser Motor Assembly	1	212436S	212436S	212436S
16	Seal, Riser-Pop-Up	1	212172	212172	212172
17	Motor Housing (Replacement)	1	—	—	—
20	Stator Assembly - Common	1	212606	212606	212606
CASE ASSEMBLY (Please refer to EAGLE 900/950/1100/1150/11-E Series, catalog number 466)					
(A) Specify nozzle size when ordering. Available in #48 Blue, 57 Yellow, 63 Orange, 66 Green					

Stator Setting Configurations Factory

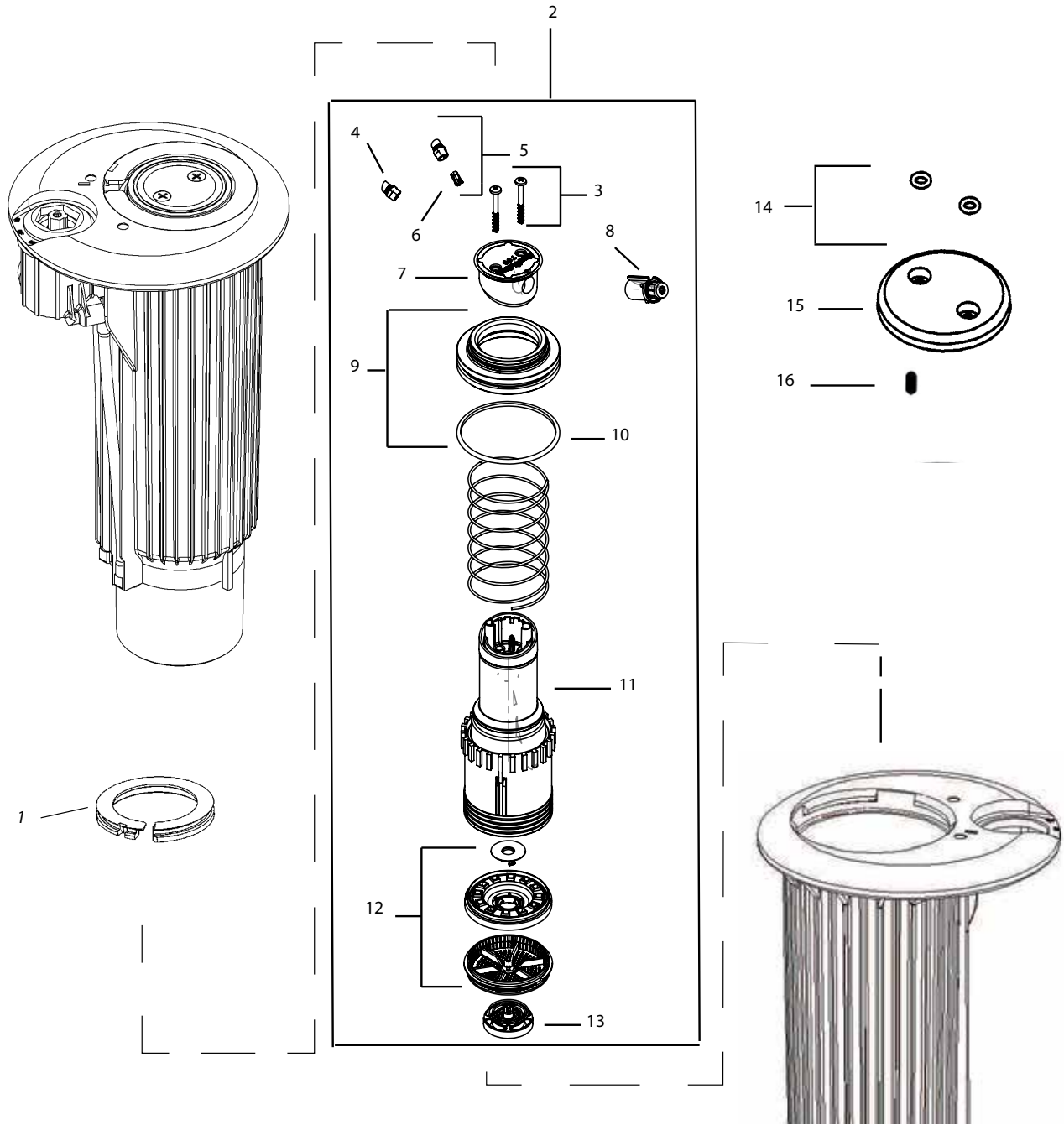
Number	Color of Range Nozzle	Electric Case Pressure Setting			Hyd/SAM
		Psi (bars)			
		80(5.5)	100(6.9)	120(8.3)	Set per Base Psi*
#48	Blue	6	7	8	6 - 8
#57	Yellow	8	9	10	8 - 10
#63	Orange	10	11	12	10 - 12
#66	Green	12	13	14	12 - 14

* Factory stator set for 80psi base pressure

Note: Stator settings to a lower number than factory will speed up rotation speed and shorten radius. Stator settings to a larger number than factory will slow rotation speed or cause non-rotation.

Note: Part numbers enclosed in brackets () are not available individually, but may be sold in assemblies or kits.

January 1, 2015



Note: Part numbers enclosed in brackets () are not available individually, but may be sold in assemblies or kits.

January 1, 2015

Ref. Part Description	Qty.	700-E	700-S/H	700B
SNAP RINGS				
1 Snap Cover (excluding BRC)	1	211921-01	211921-01	211921-01
INTERNAL ASSEMBLY				
2 Rain Bird 700 Internal Assembly (A) (B)	1	214700-xx	214700-xx	214600-xx
NOZZLE HOUSING AND NOZZLES				
3 700 / 751 Nozzle Housing Screw	2	214754	214754	214754
4 Blue Spreader Nozzle Standard (C)	1	211562	211562	211562
5 Black with White Diffuser Standard (C)	1	211452	211452	211452
6 White Diffuser	1	213703	213703	213703
7 700 Nozzle Housing Less Nozzles	1	213710	213710	213710
8 Range Nozzle and O-ring Assembly (A)	1	213700-xx	213700-xx	213700-xx
BEARING GUIDE / MOTOR ASSEMBLY				
9 Bearing Guide Assembly, Standard	1	211147	—	—
9 Bearing Guide Assembly, Low Flow	1	—	211263	211263
10 Bearing Guide O-ring	1	211242	211242	211242
11 Rain Bird 700 Riser Motor Assembly	1	21470000	21470000	21470000
12 700 / 750 / 751 Stator / Screen Kit	1	21040301	21040301	21040301
13 SAM Screen Kit Block Models	1	211292	211292	211292
17 Pop-up Seal (White)	1	210399	210399	210399
KITS AND ACCESSORIES				
1 Snap Cover, Yellow	1	211921-02	211921-02	211921-02
1 Snap Cover, White	1	211921-03	211921-03	211921-03
1 Snap cover, Purple	1	211921-04	211921-04	211921-04
YARDAGE MARKER				
14 O-ring (Cover, Adjust, & Lever)	2	211236	211236	211236
15 Rain Bird 700 Yardage Marker Blank (Black)	1	214756	214756	214756
DIFFUSER SCREW				
16 700 / 751 Diffuser Screw Only	1	214757	214757	214757

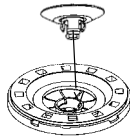
- (A) Specify Nozzle Size when ordering. Available in # 28, 32, 36, 40, 44, or 48.
- (B) For Non-Potable applications, use standard part and purple snap ring (Part # 211921-04)
- (C) Optional Spreader Nozzles 213701 (Green), 213702 (Orange), 213705 (Blue w/Diffuser),

Stator / Poppet Configurations - Dual Spreader

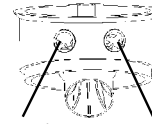
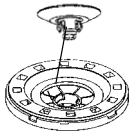
Color	Number	Electric Pressure Setting				Hyd, SAM, B
		60 (4.1)	70 (4.8)	80 (5.5)	100 (6.9)	
White	#28	SPC	SPC	SPC	SPC	SPC
Blue	#32	SPO	SPO	SPO	SPO	SPO
Yellow	#36	SPO	SPO	SPO	SPO	SPO
Orange	#40	SNP	SNP	SNP	SNP	SNP
Green	#44	SNP	SNP	SNP	SNP	SNP
Black	#48	N/R	SNP	SNP	SPR	SNP

SPC = Stator with Poppet Closed
 SPO = Stator with Poppet Open
 SNP = Stator No Poppet
 SO = Screen Only
 SPR = Spacer and Screen
 N/R = Not a Recommended Pressure and Nozzle Setting

Stator with Poppet Closed
Should be tight when snapped in



Stator with Poppet Open
Should be loose when snapped in

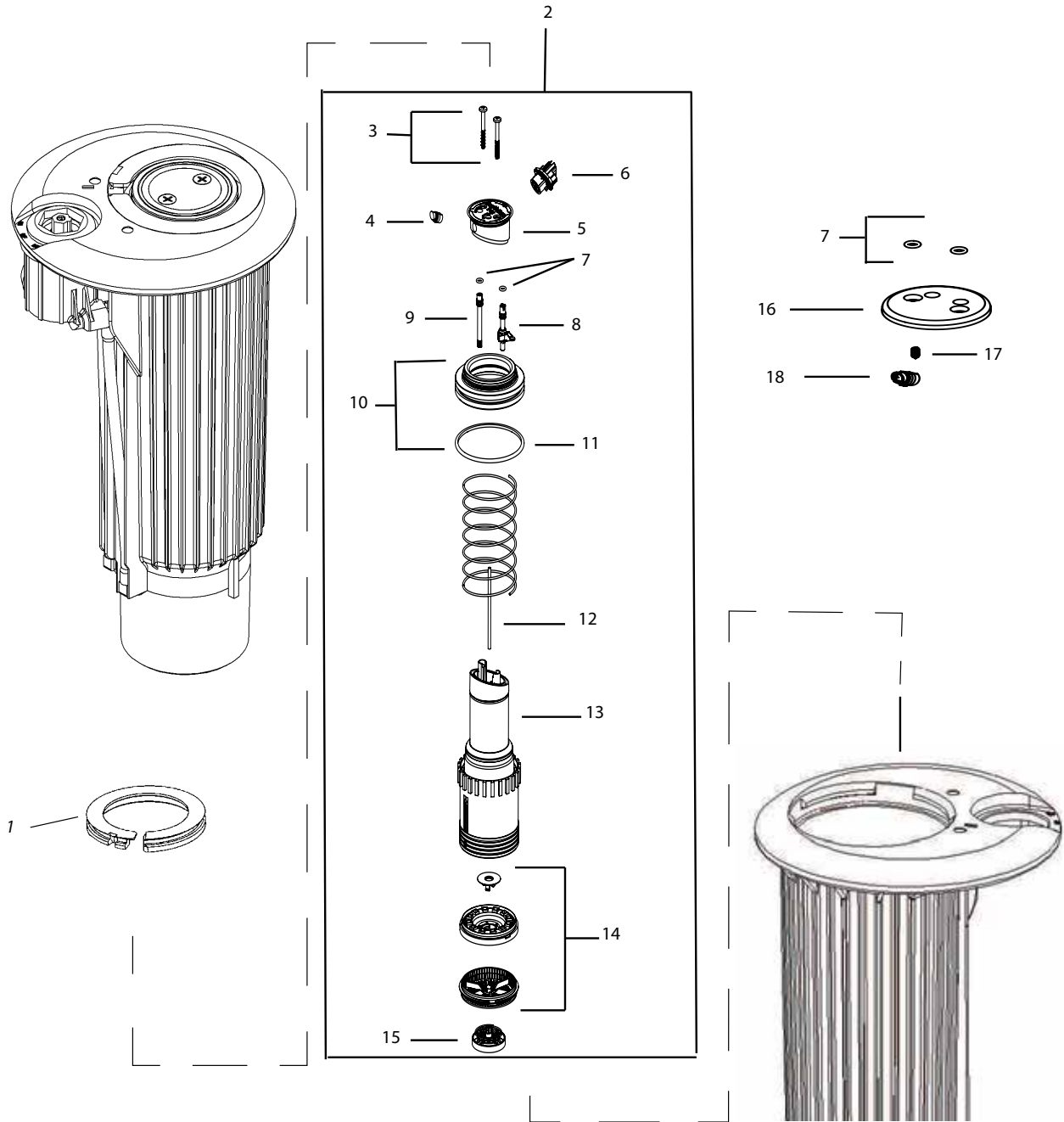


Mid-Range nozzle (9A) Close-in nozzle (9B)

Dual Spreader:	#28-36 Blue Part No.: 211562 #40-48 Black w/o insert Part No.: 211417	Always Black With White Cascade Insert Part No.: 211452
Cascade:	Plugged Part No.: 211593	With White Cascade Insert Always Black Part No.: 211452
Original:	Black w/o insert Part No.: 211417	Plugged Part No.: 211593

Note: Part numbers enclosed in brackets () are not available individually, but may be sold in assemblies or kits.

January 1, 2015



Note: Part numbers enclosed in brackets () are not available individually, but may be sold in assemblies or kits.

January 1, 2015

Ref. Part Description	Qty.	700-E	700-S/H	700B
SNAP RINGS				
1 Snap Cover (excluding BRC)	1	211921-01	211921-01	211921-01
INTERNAL ASSEMBLY				
2 Rain Bird 751 Internal Assembly (A) (B)	1	214751-xx	214751-xx	214651-xx
NOZZLE HOUSING AND NOZZLES				
3 700 / 751 Nozzle Housing Screw	2	214754	214754	214754
4 Nozzle plug	1	211593	211593	211593
5 751 Nozzle Housing Less Nozzle	1	213760	213760	213760
6 Standard Range Nozzle and O-Ring Assembly (C)	1	213750-xx	213750-xx	213750-xx
6 Short Throw Range Nozzle and O-Ring Assembly (D)	1	213751-xx	213751-xx	213751-xx
7 O-Ring (Cover, Adjust, & Lever)	2	211236	211236	211236
8 751 FC/PC Arm-Lever Assembly	1	214752	214752	214752
9 Arc Adjust Stem	1	210420	210420	210420
BEARING GUIDE / MOTOR ASSEMBLY				
10 Bearing Guide Assembly, Standard	1	211147	—	—
10 Bearing Guide Assembly, Low Flow	1	—	211263	211263
11 Bearing Guide O-ring	1	211242	211242	211242
12 751 FC-PC Trip Rod	1	214753	214753	214753
13 Rain Bird 751 Riser Motor Assembly	1	21475100	21475100	21475100
14 700/750/751 Stator/Screen Kit	1	21040301	21040301	21040301
15 SAM Screen Kit Block Models	1	211292	211292	211292
19 Pop-up Seal (White)	1	201399	201399	201399
KITS AND ACCESSORIES				
1 Snap Cover, Yellow	1	211921-02	211921-02	211921-02
1 Snap Cover, White	1	211921-03	211921-03	211921-03
1 Snap cover, Purple	1	211921-04	211921-04	211921-04
YARDAGE MARKER				
7 O-ring (Cover, Adjust, & Lever)	2	211236	211236	211236
16 Rain Bird 751 Yardage Marker Blank (Black)	1	214755	214755	214755
DIFFUSER SCREW				
17 700 / 751 Diffuser Screw Only	1	214757	214757	214757
SPREADER NOZZLES				
18 Rear Spreader Nozzles	1	(E)	(E)	(E)

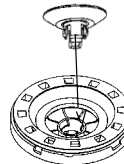
- (A) Specify Nozzle Size when ordering. Available in # 20, 22, 28, 32, 36, 40, 44, or 48.
- (B) For Non-Potable applications, use standard part and purple snap ring (Part # 211921-04)
- (C) Specify Nozzle Size (28, 32, 36, 40, 44, or 48)
- (D) Sprcify Nozzle Size (22 or 24)
- (E) Optional Spreader Nozzles 213701 (Green), 213702 (Orange), 213705 (Blue w/Diffuser),

Stator / Poppet Configurations - Dual Spreader

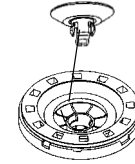
Color	Number	Electric Pressure Setting				Hyd, SAM, B
		60 (4,1)	70 (4,8)	80 (5,5)	100 (6,9)	
Gray	#20	S4	S4	S4	S4	S4
Red	#22	S8	S8	S8	S8	S8
White	#28	SPC	SPC	SPC	SPC	SPC
Blue	#32	SPO	SPO	SPO	SPO	SPO
Yellow	#36	SPO	SPO	SPO	SPO	SPO
Orange	#40	SNP	SNP	SNP	SNP	SNP
Green	#44	SNP	SNP	SNP	SNP	SNP
Black	#48	N/R	SNP	SNP	SPR	SNP

S4 = 4 Hole S8 = 8 Hole
 SPC = Stator with Poppet Closed SO = Screen Only
 SPO = Stator with Poppet Open SPR = Spacer and Screen
 SNP = Stator No Poppet N/R = Not a Recommended Pressure and Nozzle Setting

Stator with Poppet Closed
Should be tight when snapped in

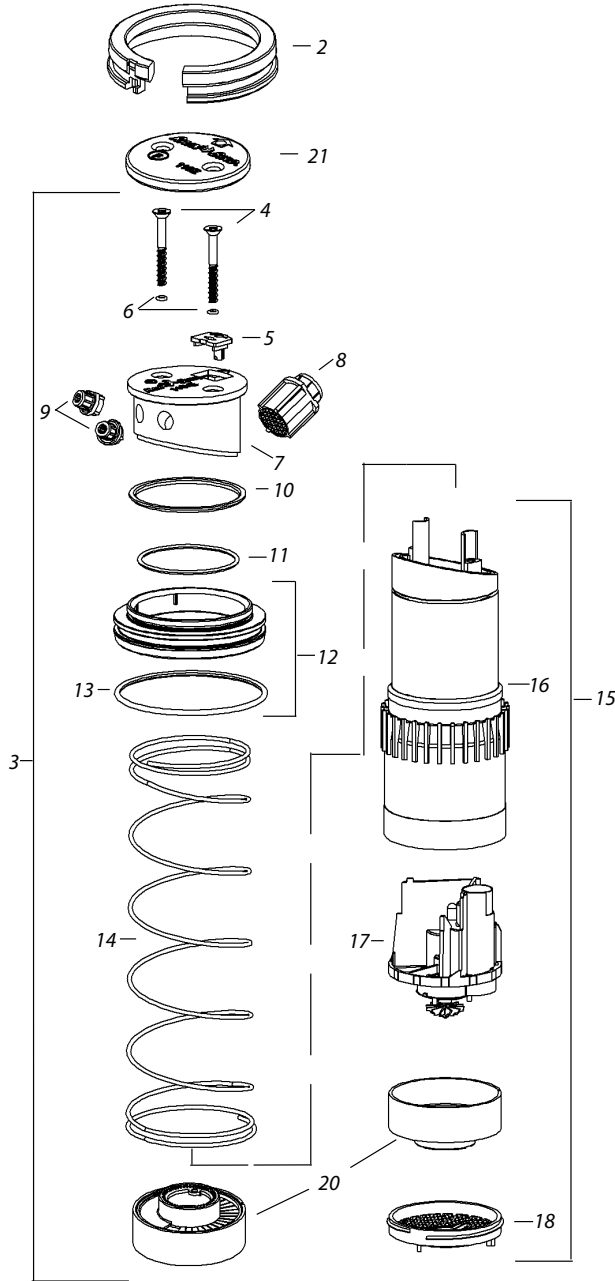


Stator with Poppet Open
Should be loose when snapped in



Note: Part numbers enclosed in brackets () are not available individually, but may be sold in assemblies or kits.

January 1, 2015



Ref.	Part Description	Qty	115-E
RUBBER COVER KIT			
2	Rubberized Snap Cover	1	212607
21	Rubber Cover, Housing	1	212491-01S
6	O-Ring, Screw	2	(212266S)
			209778

INTERNAL ASSEMBLY			
3	Internal Assembly	1	212830-xx

COVER ASSEMBLY			
4	Screw, Self Tapping #1/4-15	2	210975
5	Insert, Diffuser Housing	1	—
6	O-Ring, Screw	2	209778

NOZZLES (Please specify nozzle size when ordering - See below			
-	Nozzle/Housing Kit	1	212840-xx
7	Housing, Nozzle	1	—
8	Nozzle Assembly, Range	1	212604-xx
9	Nozzle Assembly, Spreader Dual	1	212605-xx
10	Seal, Retract (Nozzle Housing)	1	—
18	Screen, Riser	1	212178

BEARING/RISER-MOTOR ASSEMBLY			
11	O-Ring Nozzle Housing	1	212255S
12	Bearing Guide Assembly	1	—
13	O-Ring, Bearing Guide	1	212383
14	Spring, Retract	1	—
15	Riser Motor Assembly	1	—
16	Seal, Riser-Pop-Up	1	212172
17	Motor Housing	1	—
20	Stator Assembly - Common	1	212606

CASE ASSEMBLY (Please refer to EAGLE 900/950/1100/1150/115-E Series, catalog number 472)

xx - Indicates nozzle size when ordering (i.e., #48 Blue, #57 Yellow, #63 Orange, #66 Green)

***Stator Setting Configurations Factory**

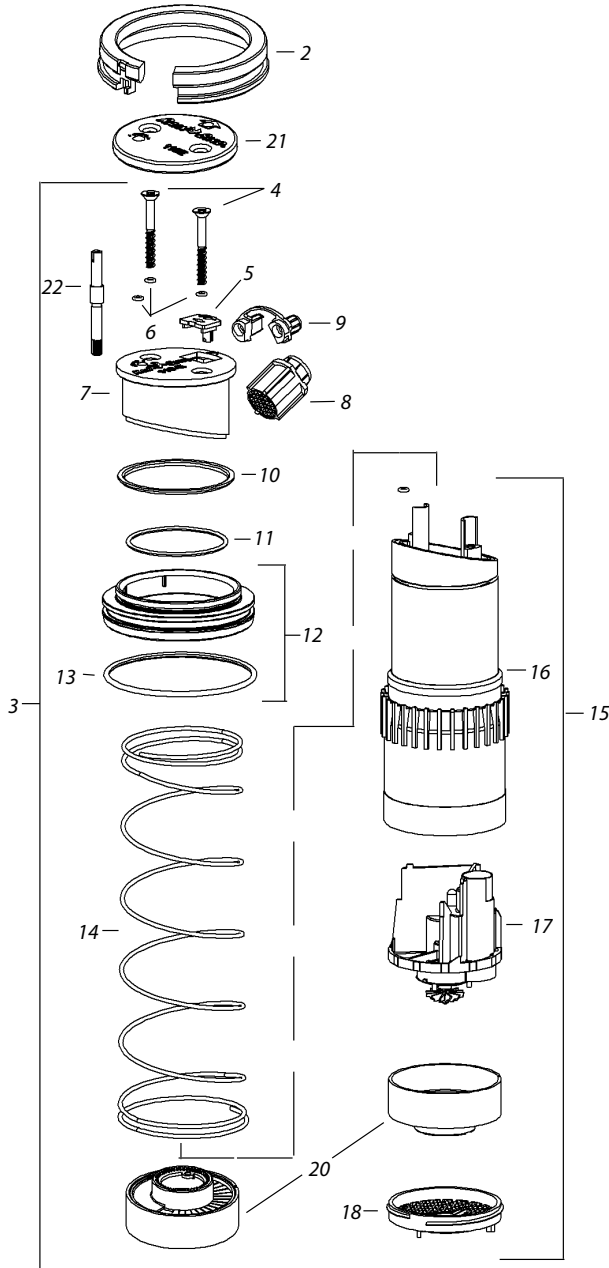
Color of Range Nozzle	Number	Electric Case Pressure Setting Psi (bars)		
		80(5.5)	100(6.9)	120(8.3)
Blue	#48			
	Set Stator to: ---	10	11	12
Yellow	#57			
	Set Stator to: ---	11	12	13
Orange	#63			
	Set Stator to: ---	13	15	16
Green	#66			
	Set Stator to: ---	13	16	16

* Stator settings to a lower number than factory will speed up rotation speed and shorten radius.
 * Stator settings to a larger number than factory will slow rotation speed or cause non-rotation.

Note: Part numbers enclosed in brackets () are not available individually, but may be sold in assemblies or kits.

January 1, 2015

115-E SERIES PART CIRCLE INTERNAL ASSEMBLY



Ref.	Part Description	Qty	115-E
RUBBER COVER KIT			
	RUBBER COVER KIT	1	212837
2	Rubberized Snap Cover	1	212491-01S
21	Rubber Cover, Housing	1	—
6	O-Ring, Screw	2	209778

INTERNAL ASSEMBLY			
3	Internal Assembly (A)	1	212831-xx

COVER ASSEMBLY			
4	Screw, Self Tapping #1/4-15	2	210975
5	Insert, Diffuser Housing	1	—
6	O-Ring, Screw	3	209778
22	Arc Adjustment Shaft	1	—

NOZZLES (Please specify nozzle size when ordering - See below)			
-	Nozzle/Housing Kit	1	212609-xx
7	Housing, Nozzle	1	—
8	Nozzle Assembly, Range	1	212604-xx
9	Nozzle Assembly, Spreader Dual	1	212611S
10	Seal, Retract (Nozzle Housing)	1	—
18	Screen, Riser	1	212178

BEARING/RISER-MOTOR ASSEMBLY			
11	O-Ring Nozzle Housing	1	212255S
12	Bearing Guide Assembly	1	—
13	O-Ring, Bearing Guide	1	212383
14	Spring, Retract	1	—
15	Riser Motor Assembly	1	212436S
16	Seal, Riser-Pop-Up	1	212172
17	Motor Housing (Replacement)	1	—
20	Stator Assembly - Common	1	212606

CASE ASSEMBLY (Please refer to EAGLE 900/950/1100/1150/115-E Series, catalog number 472)
 NS = Not Shown

xx - Indicates nozzle size when ordering (i.e., #48 Blue, #57 Yellow, #63 Orange, #66 Green)

***Stator Setting Configurations Factory**

Color of Range Nozzle	Number	Electric Case Pressure Setting Psi (bars)		
		80(5.5)	100(6.9)	120(8.3)
Blue	#48			
	Set Stator to: ---	6	7	8
Yellow	#57			
	Set Stator to: ---	8	9	10
Orange	#63			
	Set Stator to: ---	10	11	12
Green	#66			
	Set Stator to: ---	12	13	14

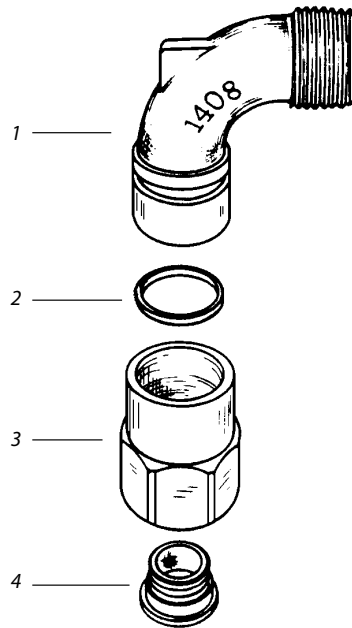
* Stator settings to a lower number than factory will speed up rotation speed and shorten radius.

* Stator settings to a larger number than factory will slow rotation speed or cause non-rotation.

Note: Part numbers enclosed in brackets () are not available individually, but may be sold in assemblies or kits.

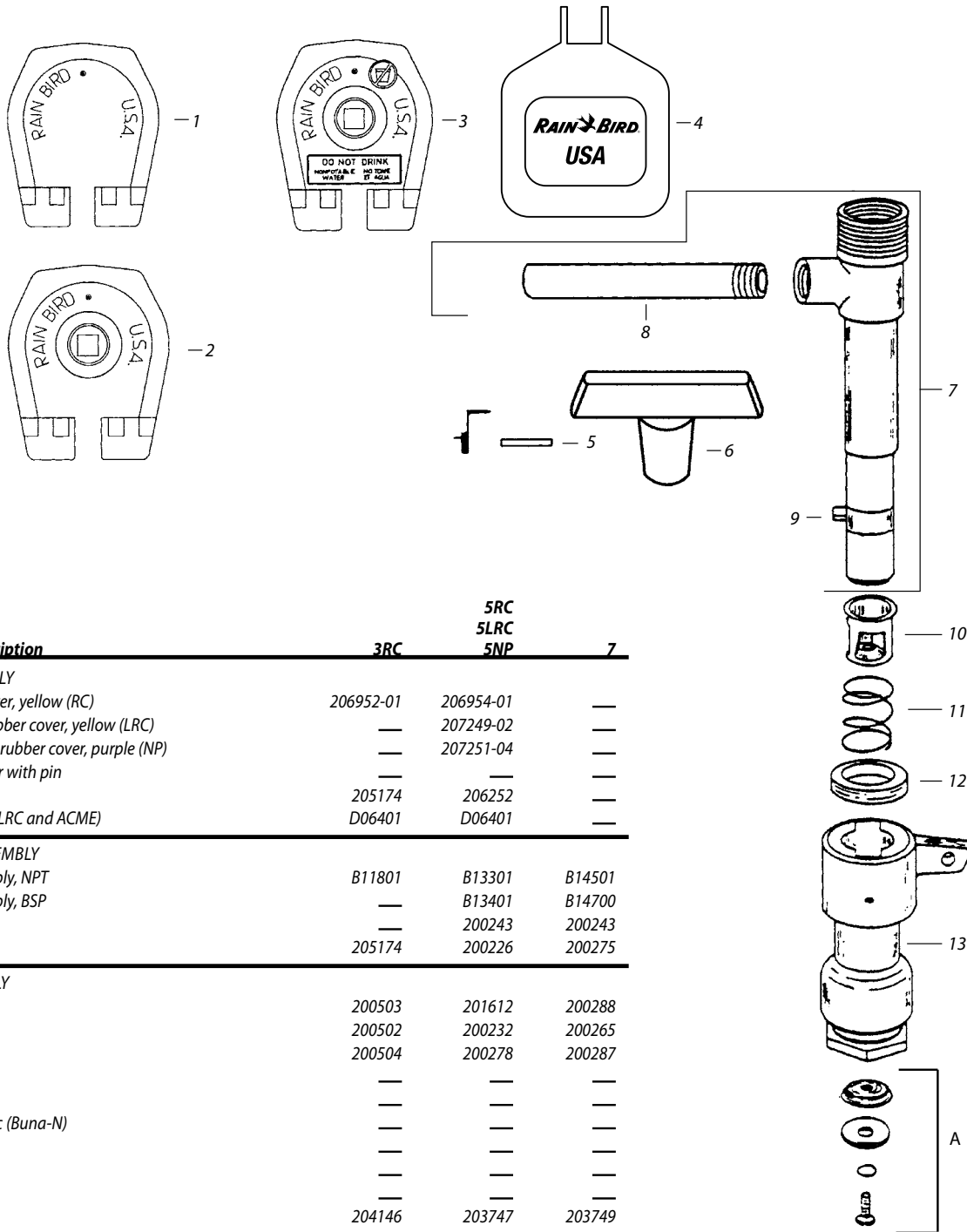
January 1, 2015

Ref.	Part Description	SH-0	BSP SH-0	SH-1	SH-2	BSP SH-2	SH-3
1	Elbow	(200449)	(201570)	(200449)	(200454)	(201572)	(200454)
2	O-Ring	200451	200451	200451	200456	200456	200456
3	Sleeve	(200783)	(202129)	(200785)	(200787)	(201571)	(200786)
4	Screw	(200784)	(200784)	(200784)	(200788)	(200788)	(200788)



Note: Part numbers enclosed in brackets () are not available individually, but may be sold in assemblies or kits.

January 1, 2015

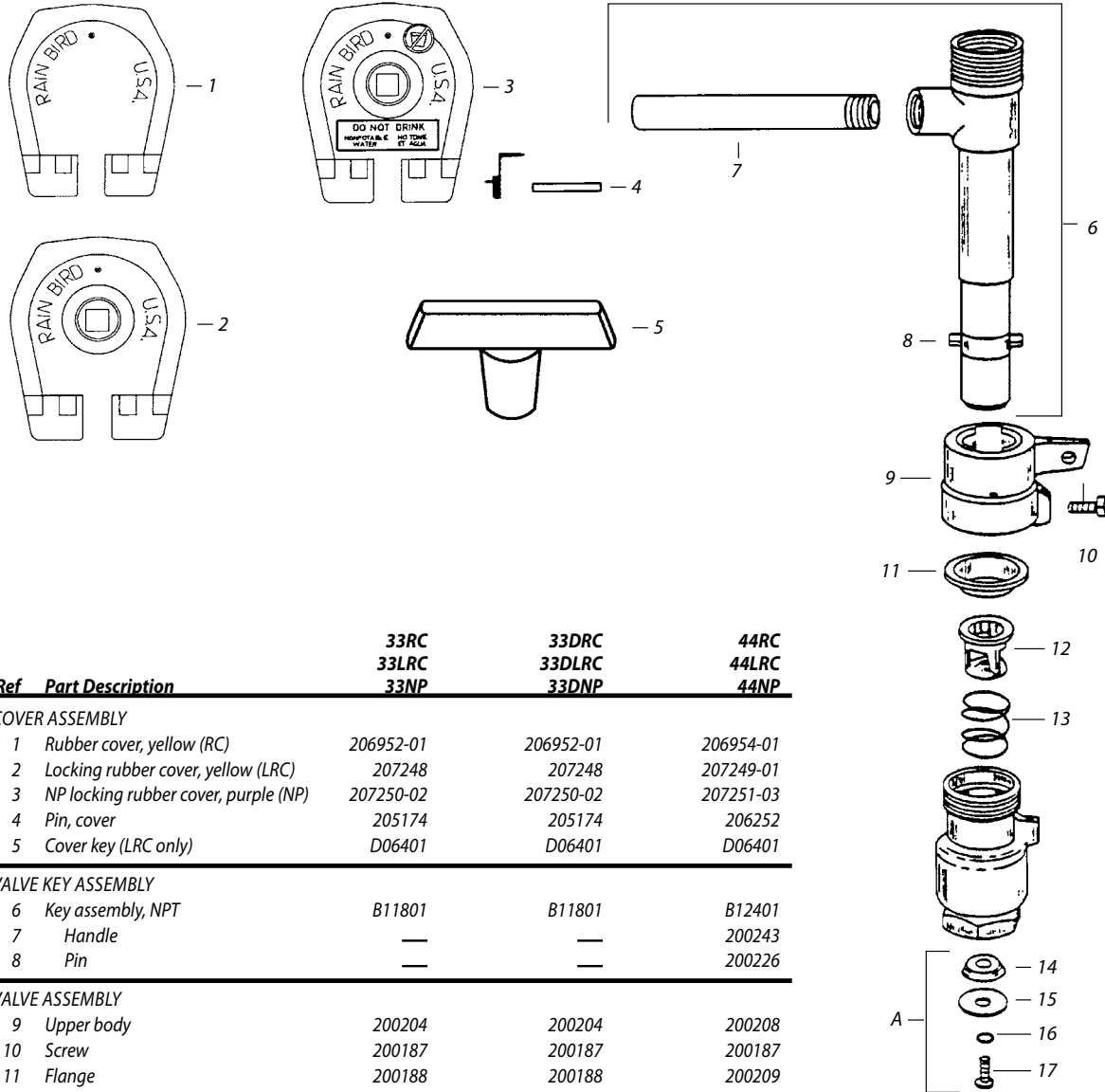


Ref. Part Description	3RC	5RC 5LRC 5NP	7
COVER ASSEMBLY			
1 Rubber cover, yellow (RC)	206952-01	206954-01	—
2 Locking rubber cover, yellow (LRC)	—	207249-02	—
3 NP locking rubber cover, purple (NP)	—	207251-04	—
4 Metal cover with pin	—	—	—
5 Pin, cover	205174	206252	—
6 Cover key (LRC and ACME)	D06401	D06401	—
VALVE KEY ASSEMBLY			
7 Key assembly, NPT	B11801	B13301	B14501
– Key assembly, BSP	—	B13401	B14700
8 Handle	—	200243	200243
9 Pin	205174	200226	200275
VALVE ASSEMBLY			
10 Cage	200503	201612	200288
11 Spring	200502	200232	200265
12 Gasket	200504	200278	200287
13 Body, NPT	—	—	—
– Body, BSP	—	—	—
14 Rubber disc (Buna-N)	—	—	—
15 Retainer	—	—	—
16 Washer	—	—	—
17 Screw	—	—	—
A Repair kit	204146	203747	203749
3 series includes 10 and 11			

Note: Part numbers enclosed in brackets () are not available individually, but may be sold in assemblies or kits.

January 1, 2015

TWO-PIECE QUICK COUPLER VALVES
33 AND 44 SERIES

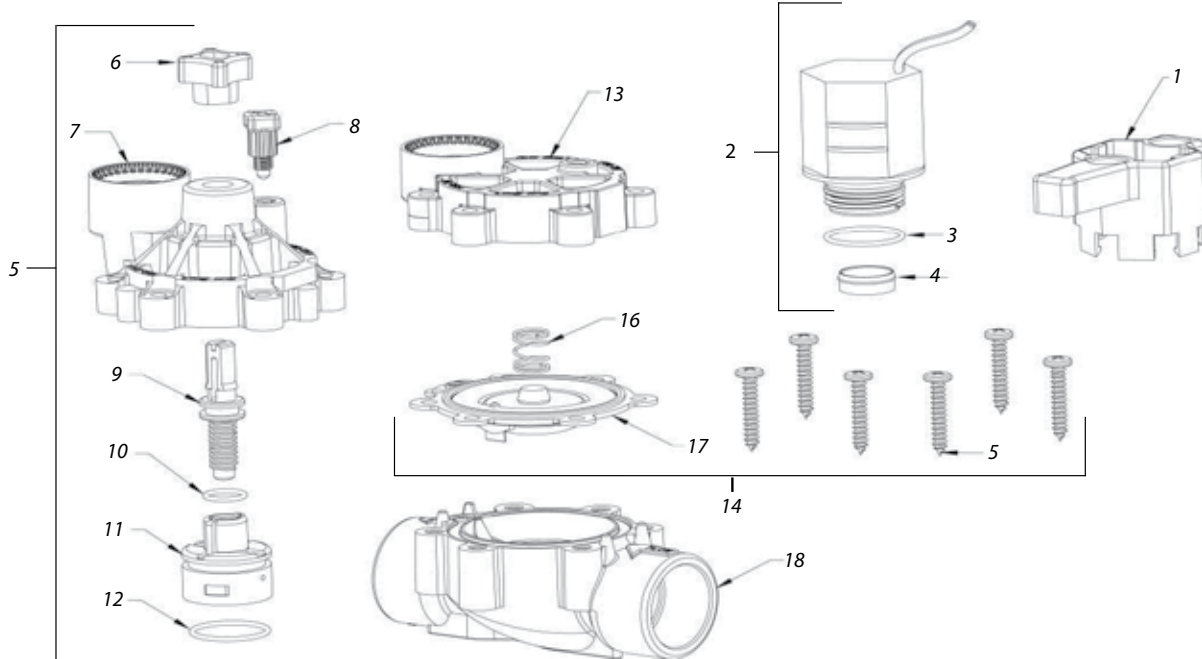


Ref	Part Description	33RC	33DRC	44RC
		33LRC	33DLRC	44LRC
		33NP	33DNP	44NP
COVER ASSEMBLY				
1	Rubber cover, yellow (RC)	206952-01	206952-01	206954-01
2	Locking rubber cover, yellow (LRC)	207248	207248	207249-01
3	NP locking rubber cover, purple (NP)	207250-02	207250-02	207251-03
4	Pin, cover	205174	205174	206252
5	Cover key (LRC only)	D06401	D06401	D06401
VALVE KEY ASSEMBLY				
6	Key assembly, NPT	B11801	B11801	B12401
7	Handle	—	—	200243
8	Pin	—	—	200226
VALVE ASSEMBLY				
9	Upper body	200204	200204	200208
10	Screw	200187	200187	200187
11	Flange	200188	200188	200209
12	Cage	200503	200503	200210
13	Spring	200502	200502	200211
14	Rubber disc (Buna-N)	—	—	200213
15	Retainer	—	—	200214
16	Washer	—	—	200215
17	Screw	—	—	205806
A	Repair kit	204146	204146	203747

(33 series includes 12 and 13)

Note: Part numbers enclosed in brackets () are not available individually, but may be sold in assemblies or kits.

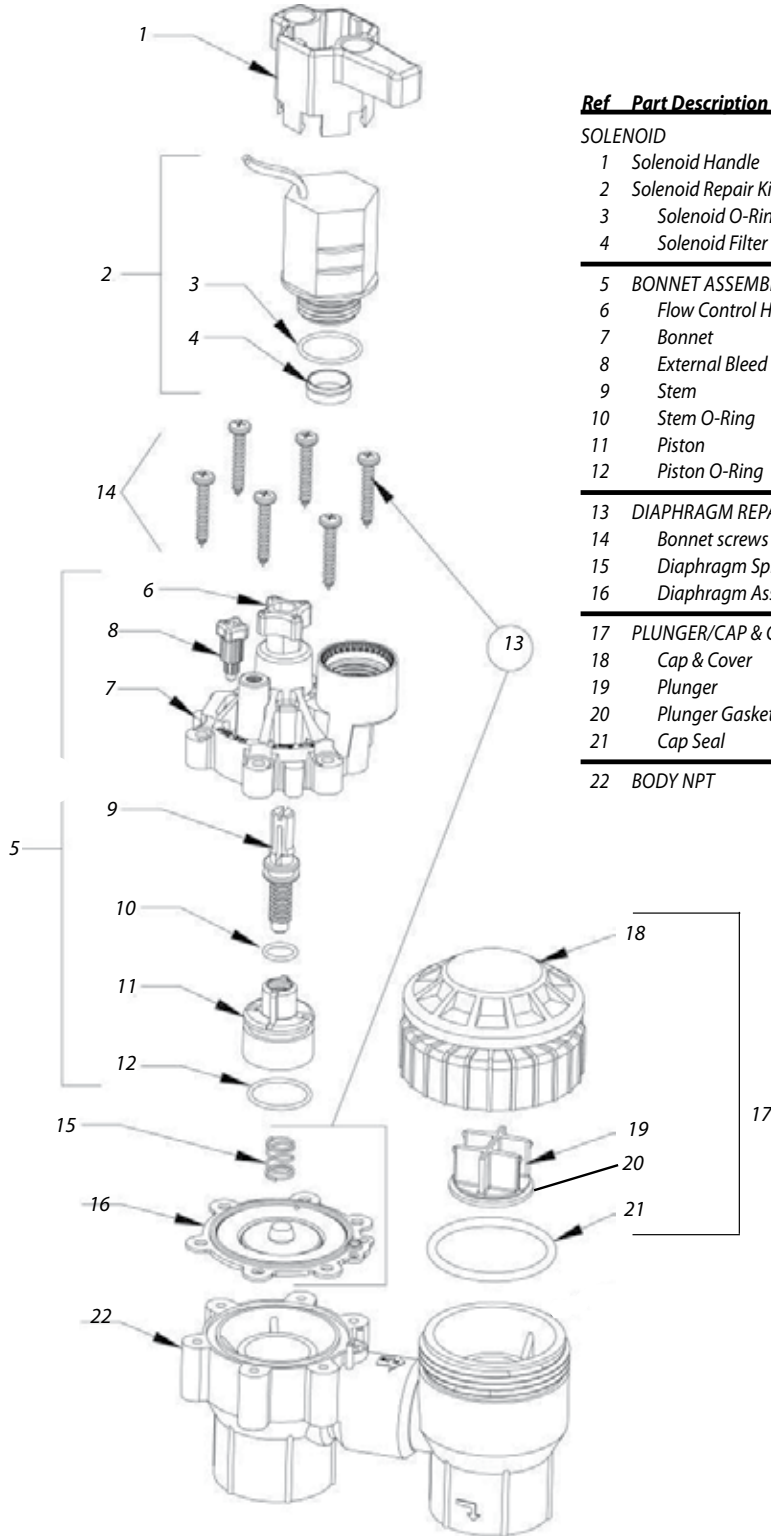
January 1, 2015



Ref.	Part Description	075-DV	100-DV	100-DVF
Solenoid				
1	Solenoid Handle	—	—	—
2	Solenoid Repair Kit	208588-01	208588-01	208588-01
3	Solenoid O-Ring	—	—	—
4	Solenoid Filter	—	—	—
BONNET				
5	Bonnet Assembly	—	—	—
6	Flow Control Handle	—	—	—
7	Bonnet with flow control	—	—	—
8	External Bleed Screw	—	—	—
9	Stem	—	—	—
10	Stem O-Ring	—	—	—
11	Piston	—	—	—
12	Piston O-Ring	—	—	—
13	Bonnet	—	—	—
14	DIAPHRAGM REPAIR KIT	210746-03	210746-03	210746-03
15	Bonnet screws (6)	—	—	—
16	Diaphragm Spring	—	—	—
17	Diaphragm Assembly w/Filter	—	—	—
—	Solenoid Filter	—	—	—
BODY				
18	Slip x Slip	—	—	—
—	NPT (not pictured)	—	—	—
—	BSP (not pictured)	—	—	—
—	Angle NPT (not pictured)	—	—	—
—	Angle BSP (not pictured)	—	—	—
—	Male x Male NPT (not pictured)	—	—	—
—	Male x Male BSP (not pictured)	—	—	—
—	1" Male NPT x 1" Barb (not pictured)	—	—	—
—	1" Male BSP x 1" Barb (not pictured)	—	—	—
—	1" Male NPT x 1¾" Barb (not pictured)	—	—	—

Note: Part numbers enclosed in brackets () are not available individually, but may be sold in assemblies or kits.

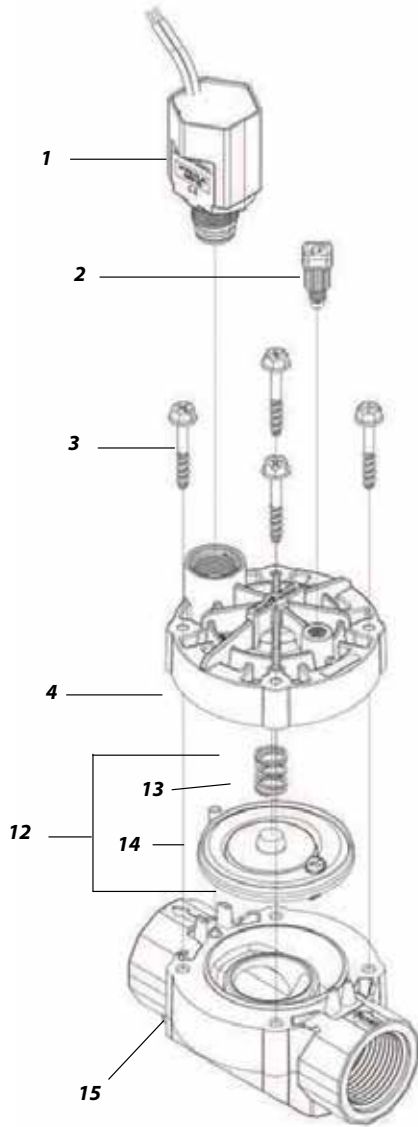
January 1, 2015



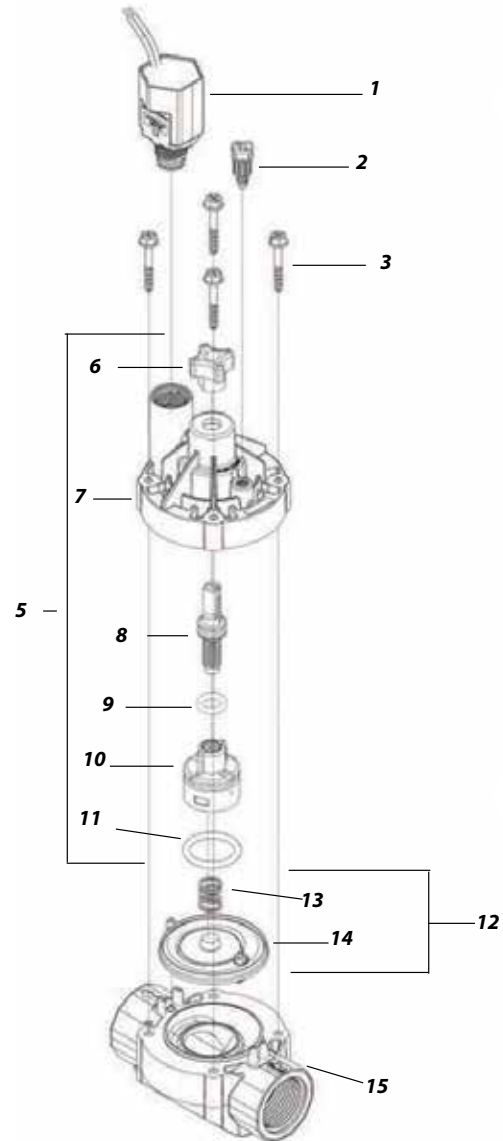
Ref	Part Description	075-ASVF	100-ASVF
SOLENOID			
1	Solenoid Handle	—	—
2	Solenoid Repair Kit	20858801	20858801
3	Solenoid O-Ring	—	—
4	Solenoid Filter	—	—
BONNET ASSEMBLY			
5	BONNET ASSEMBLY	—	—
6	Flow Control Handle	—	—
7	Bonnet	—	—
8	External Bleed Screw	—	—
9	Stem	—	—
10	Stem O-Ring	—	—
11	Piston	—	—
12	Piston O-Ring	—	—
DIAPHRAGM REPAIR KIT			
13	DIAPHRAGM REPAIR KIT	21074603	21074603
14	Bonnet screws (6)	—	—
15	Diaphragm Spring	—	—
16	Diaphragm Assembly w/Filter	—	—
PLUNGER/CAP & COVER ASSEMBLY			
17	PLUNGER/CAP & COVER ASSEMBLY	151933	151933
18	Cap & Cover	—	—
19	Plunger	—	—
20	Plunger Gasket	—	—
21	Cap Seal	—	—
22	BODY NPT	—	—

Note: Part numbers enclosed in brackets () are not available individually, but may be sold in assemblies or kits.

January 1, 2015



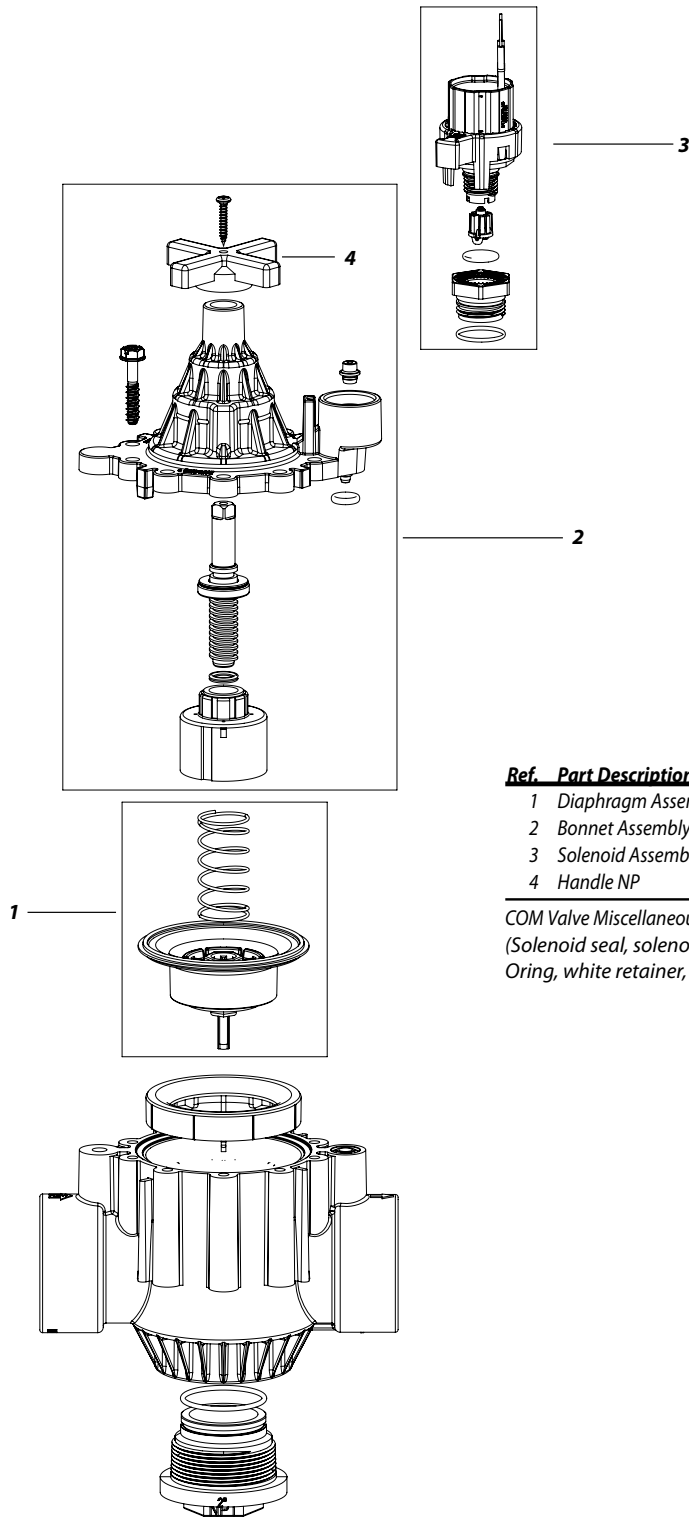
Ref.	Part Description	HV
1	Solenoid Repair Kit	236307
2	Bleed Screw	—
3	Multi-Drive Captured Bonnet Screws (4)	—
4	Bonnet	—
12	Diaphragm Repair Kit	231900
13	Spring	—
14	Diaphragm	—
15	Body	—



Ref.	Part Description	HVF
1	Solenoid Repair Kit	236307
2	Bleed Screw	—
3	Multi-Drive Captured Bonnet Screws (4)	—
5	Bonnet Assmely	—
6	Flow Control Handle Stem	—
7	Bonnet with Flow Control	—
8	Flow Control Stem	—
9	O-Ring	—
10	Pisto	—
11	O-Ring	—
12	Diaphragm Repair Kit	231900
13	Spring	—
14	Diaphragm	—
15	Body	—

Note: Part numbers enclosed in brackets () are not available individually, but may be sold in assemblies or kits.

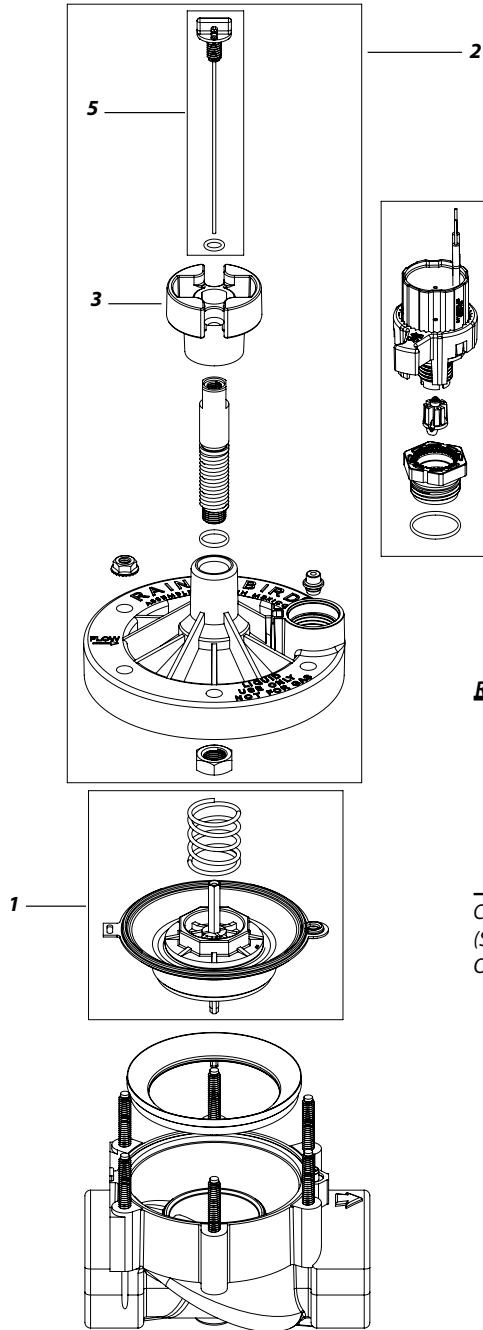
January 1, 2015



<u>Ref.</u>	<u>Part Description</u>	<u>100PGA</u>	<u>150PGA</u>	<u>200PGA</u>
1	Diaphragm Assembly	209792	209675	209005
2	Bonnet Assembly	210858	210454	210866
3	Solenoid Assembly	236239	236239	236239
4	Handle NP	231234	231236	231236
COM Valve Miscellaneous Parts Kit (Solenoid seal, solenoid Oring, adaptor Oring, white retainer, tan retainer, solenoid spring)		210464	210464	210464

Note: Part numbers enclosed in brackets () are not available individually, but may be sold in assemblies or kits.

January 1, 2015

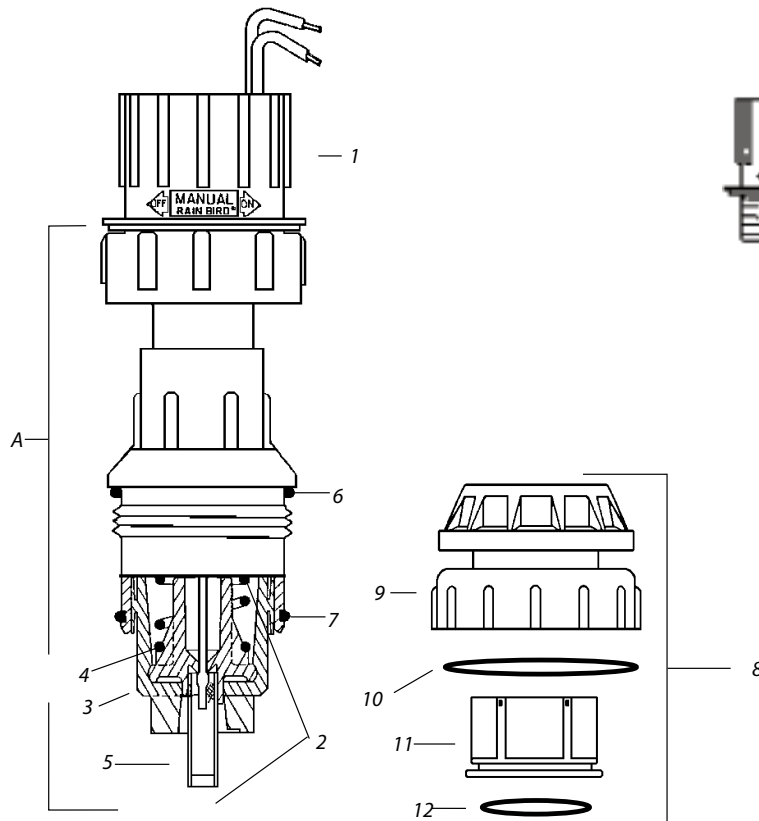


Ref.	Part Description	100	150	200
1	Diaphragm Assembly	208143	234882S	208605
		20814402	23486602S	20851802
		20814404S	23486604S	20851804S
2	Bonnet Assembly	20936701	20936702	20936702
3	Handle NP	231230	231232	231232
4	Solenoid Assembly	236239	236239	236239
5	Bleed Screw Assembly	204152	204152	204152

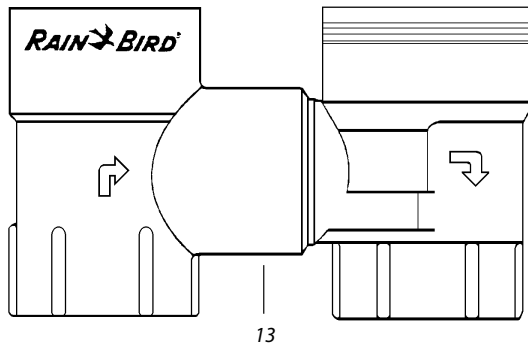
COM Valve Miscellaneous Parts Kit (210464)
(Solenoid seal, solenoid Oring, adaptor Oring, white retainer, tan retainer, solenoid spring)

Note: Part numbers enclosed in brackets () are not available individually, but may be sold in assemblies or kits.

January 1, 2015



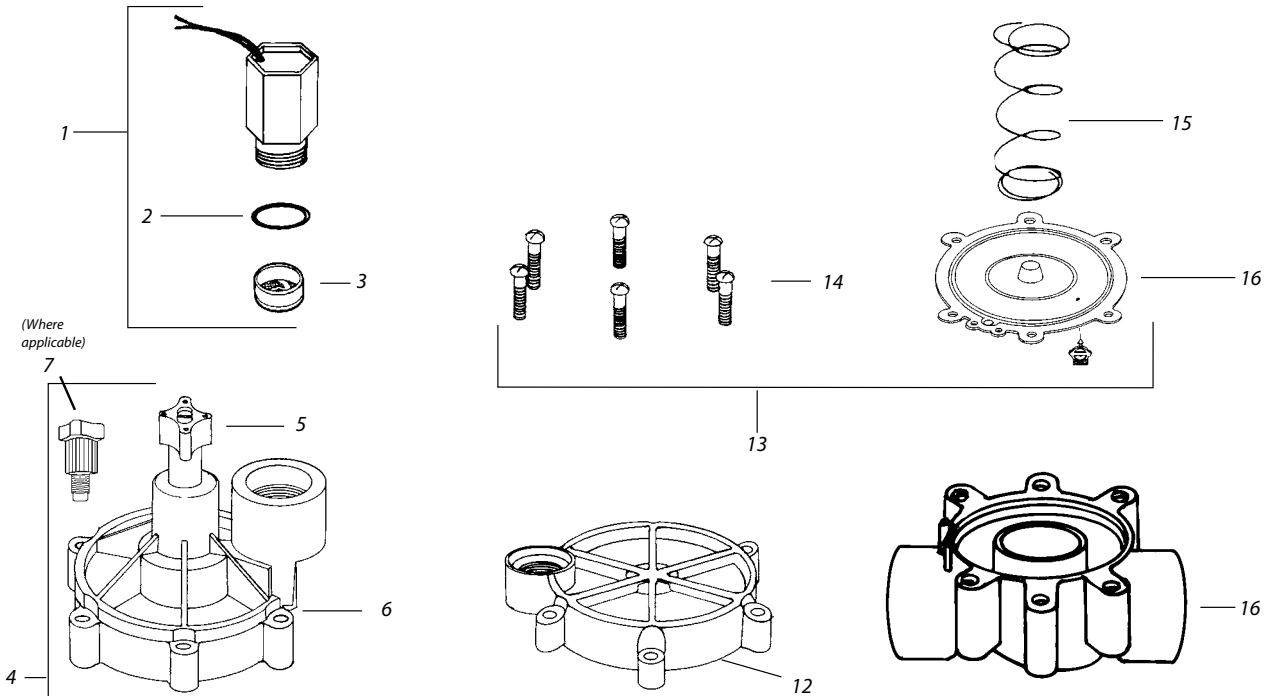
Please note: Old solenoid B60592 shown and associated actuator are no longer available. To replace use B60587 (See figure B).



Ref.	Part Description	APAS-075 ECV-075	APAS-100 ECV-100
1	SOLENOID REPLACEMENT KIT	B60599	B60599
-	SOLENOID O-RING	235532	235532
-	SOLENOID FILTER	(170368)	(170368)
2	PISTON REPAIR KIT	B40685	B40685
3	Piston	(208997)	(208997)
4	Piston Spring	(205829)	(205829)
5	Filter	(206092-01)	(206092-01)
6	Upper Bonnet O-Ring	(202850-05)	(202850-05)
7	Lower Bonnet O-Ring	(205269)	(205269)
8	CAP, COVER & PISTON ASSEMBLY	210067	210067
9	Cap & Cover Assembly	(140134)	(140134)
10	Gasket	(235309)	(235309)
11	Piston Vacuum Breaker	(231917)	(231917)
12	Sealing Washer	(234932)	(234932)
13	Body	233192	233195
(A)	AVA-1 Actuator & Piston Assembly	145235	145235

Note: Part numbers enclosed in brackets () are not available individually, but may be sold in assemblies or kits.

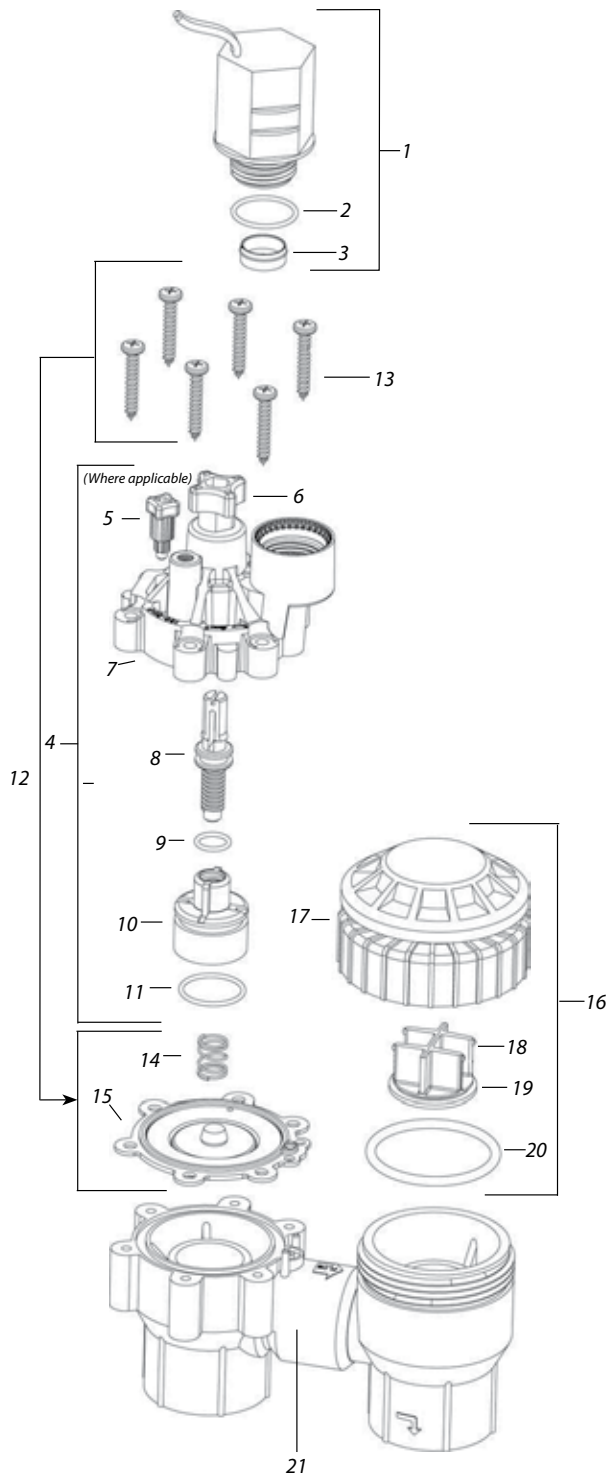
January 1, 2015



Ref.	Part Description	CP-075	CP-100	CPF-075	CPF-100
1	SOLENOID REPAIR KIT	B60599	B60599	B60599	B60599
2	Solenoid O-Ring	235532	235532	235532	235532
3	Solenoid Filter	(170368)	(170368)	(170368)	(170368)
4	BONNET REPAIR KIT	—	—	209398	209398
5	Flow Control Handle	—	—	208393	208393
6	Bonnet Assembly	—	—	(170170)	(170170)
7	External Bleed Screw	—	—	(234999)	(234999)
8	Stem	—	—	(207922)	(207922)
9	Stem O-Ring	—	—	(208487)	(208487)
10	Piston	—	—	(232709)	(232709)
11	Piston O-Ring	—	—	(208654)	(208654)
12	Bonnet	(232708)	(232708)	—	—
13	DIAPHRAGM REPAIR KIT	B60488	B60488	B60488	B60488
14	Bonnet Screws (Qty: 6)	210295	210295	210295	210295
15	Diaphragm Spring	(206944)	(206944)	(206944)	(206944)
16	Diaphragm Assembly w/Filter	(170817)	(170817)	(170817)	(170817)
16	BODY				
-	NPT	(208465-03)	(208771-01)	(208465-03)	(208771-01)
-	BSP	—	(208771-02)	—	(208771-02)
-	Slip x Slip	—	(208771-03)	—	(208771-03)

Note: Part numbers enclosed in brackets () are not available individually, but may be sold in assemblies or kits.

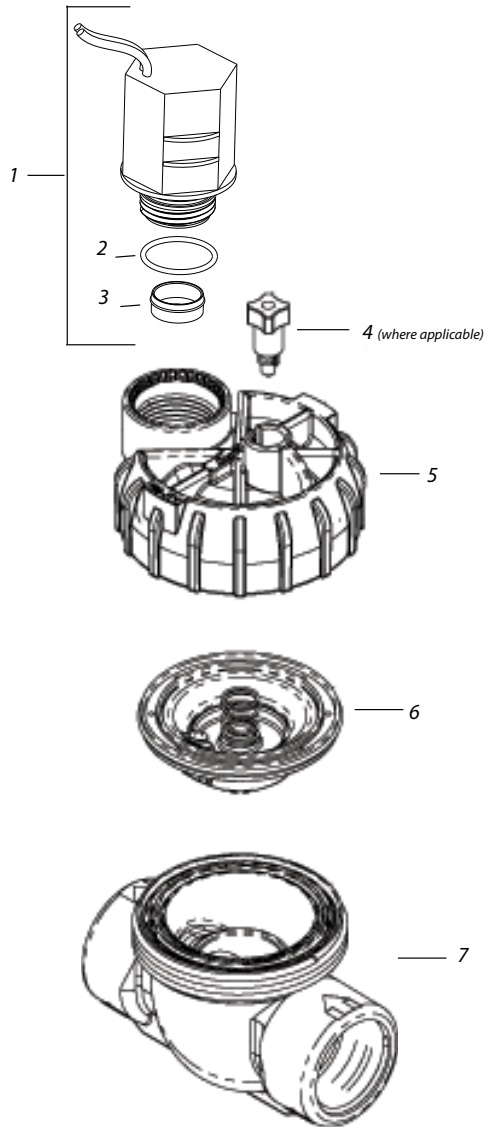
January 1, 2015



Ref.	Part Description	75-DAS	100-DA
1	SOLENOID REPAIR KIT	B60599	B60599
2	Solenoid O-Ring	235532	235532
3	Solenoid Filter	(170368)	(170368)
4	BONNET REPAIR KIT	209398	209398
5	External Bleed Screw	234999	234999
6	Flow Control Handle	208393	208393
7	Bonnet	(210334)	(210334)
8	Stem	(207922)	(207922)
9	Stem O-Ring	(232350)	(232350)
10	Piston	(232709)	(232709)
11	Piston O-Ring	(208654)	(208654)
12	DIAPHRAGM REPAIR KIT	B60488	B60488
13	Bonnet Screws (Qty: 6)	210295	210295
14	Diaphragm Spring	(206944)	(206944)
15	Diaphragm Assembly w/Filter	(170817)	(170817)
16	CAP & COVER PLUNGER ASSEMBLY	151932	151933
17	Cap & Cover	(140260)	(140253)
18	Plunger	(231917)	(231917)
19	Plunger Gasket	(231916)	(231916)
20	Cap Seal	(115629)	(115629)
21	BODY NPT	(140258)	(140121)

Note: Part numbers enclosed in brackets () are not available individually, but may be sold in assemblies or kits.

January 1, 2015

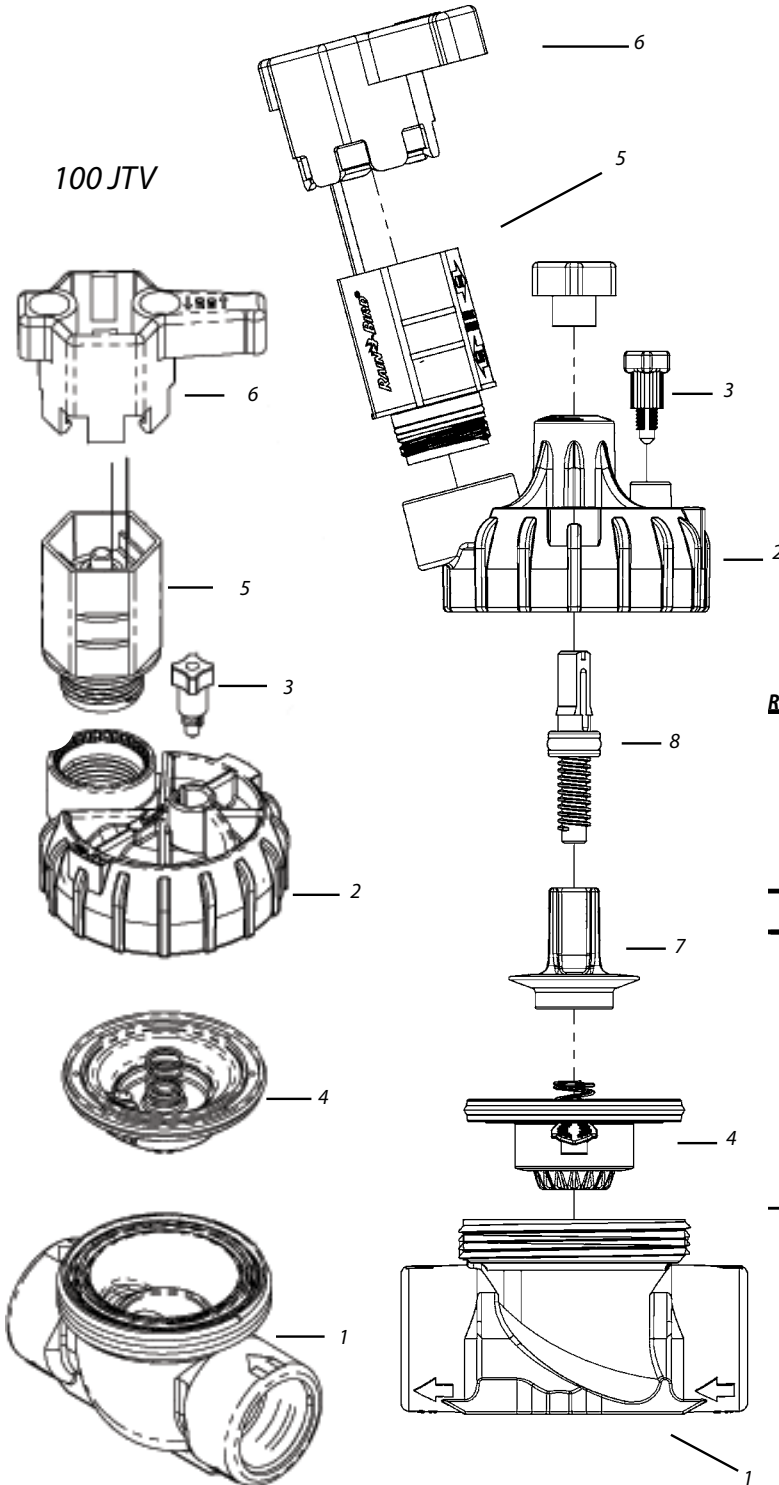


Ref.	Part Description	JTV100	JTV100SS
1	Solenoid Repair Kit	B60599	
2	Solenoid o-ring	235532	
3	Solenoid filter	(170368)	
4	External Bleed Screw	(234999)	
5	Bonnet	(231761-01)	
6	Diaphragm Repair Kit (w/spring)	B36330	
7	Body		
-	NPT	(231760-01)	
-	Slip X Slip	(231760-03)	

Note: Part numbers enclosed in brackets () are not available individually, but may be sold in assemblies or kits.

January 1, 2015

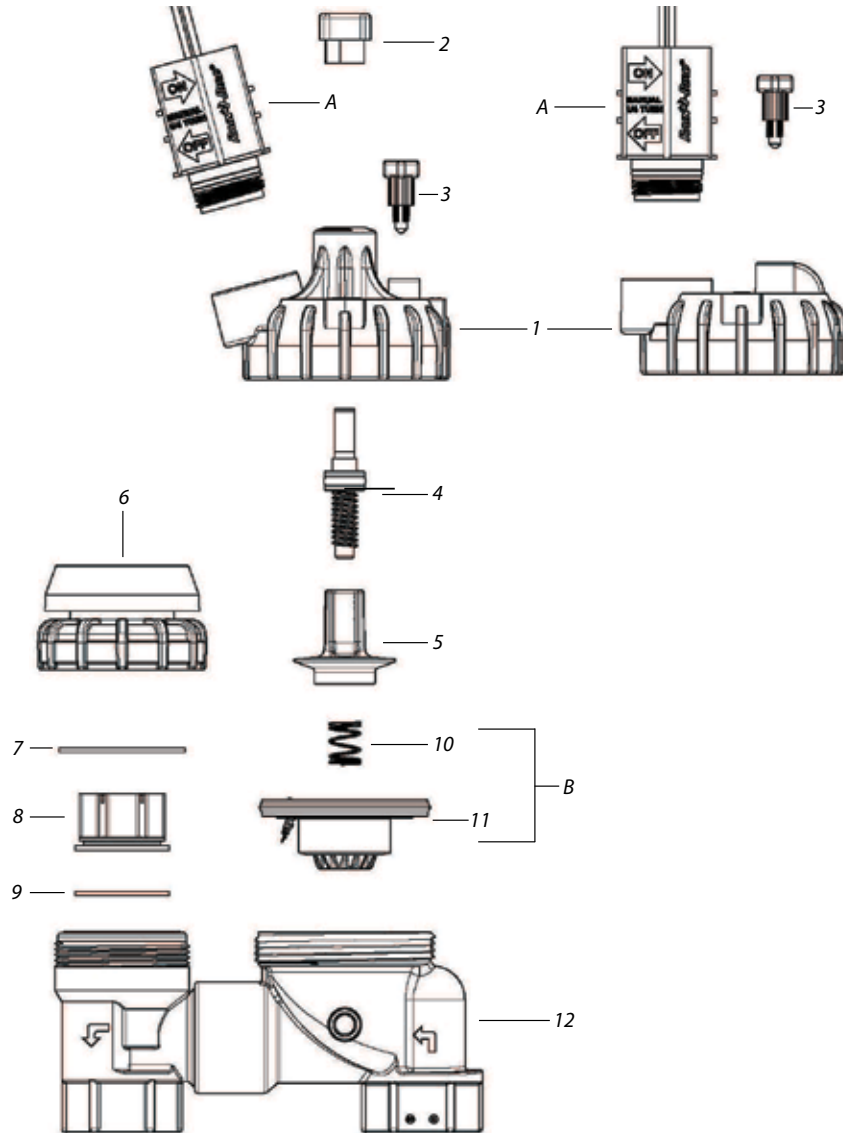
100 JTVF - Flow Control



Ref.	Part Description	JTV/JTVF
1	BODY	
-	- NPT	—
-	- BSP	—
-	- SS	—
-	- MM	—
-	- MB	—
2	BONNET	
-	- Non-Flow Control	—
-	- Flow Control	—
3	Screw, Bleed	—
4	Diaphragm Assembly	231771
5	Solenoid Repair Kit	20858801
-	- Solenoid O-Ring	—
-	- Solenoid Filter	—
6	Handle, Solenoid	—
7	Piston, flow control	—
8	Stem, flow control	—

Note: Part numbers enclosed in brackets () are not available individually, but may be sold in assemblies or kits.

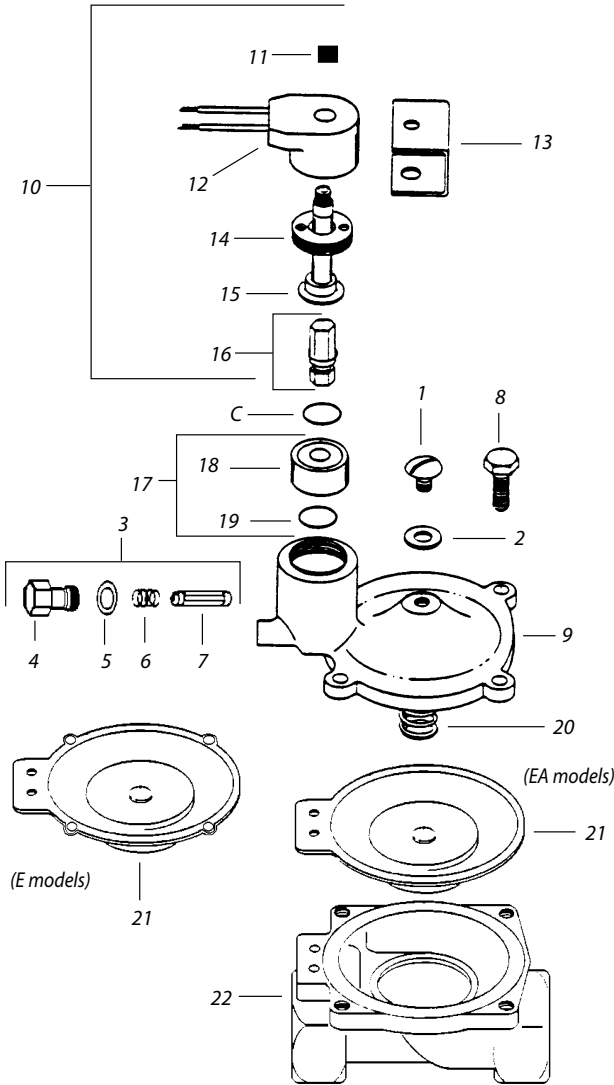
January 1, 2015



Ref. Part Description	JTV/AS-075	JTV/AS-100	JTV/ASF-075	JTV/ASF-100	100-JTV/AVB	075-JTV/AVB
A SOLENOID ASSY	B60599	B60599	B60599	B60599	B60599	B60599
- Solenoid O-Ring	235532	235532	235532	235532	235532	235532
- Solenoid Filter	(170358)	(170368)	(170368)	(170368)	(170368)	(170368)
1 Bonnet	(231761-01)	(231761-01)	(232949-01)	(232949-01)	(232949-01)	(232949-01)
2 Flow Control Handle	—	—	(240065)	(240065)	(240065)	(240065)
3 Screw, Bleed	(234999)	(234999)	(234999)	(234999)	(234999)	(234999)
4 Flow Control Stem	—	—	(233517)	(233517)	(233517)	(233517)
5 Flow Control Piston	—	—	(232950)	(232950)	(232950)	(232950)
6 Cap & Cover Assy	(233800)	(233800)	(233800)	(233800)	(233680)	(233680)
7 Cap Washer	(234868)	(234868)	(234868)	(234868)	(234868)	(234868)
8 Vacuum Breaker Piston	(231917)	(231917)	(231917)	(231917)	(231917)	(231917)
9 Piston Washer	(234932)	(234932)	(234932)	(234932)	(234932)	(234932)
B DIAPHRAGM ASSY	B36330	B36330	B36330	B36330	B36330	B36330
10 Diaphragm Spring	(206944)	(206944)	(206944)	(206944)	(206944)	(206944)
11 Diaphragm	(232770)	(232770)	(232770)	(232770)	(232770)	(232770)
12 Body	—	—	—	—	—	—

Note: Part numbers enclosed in brackets () are not available individually, but may be sold in assemblies or kits.

January 1, 2015

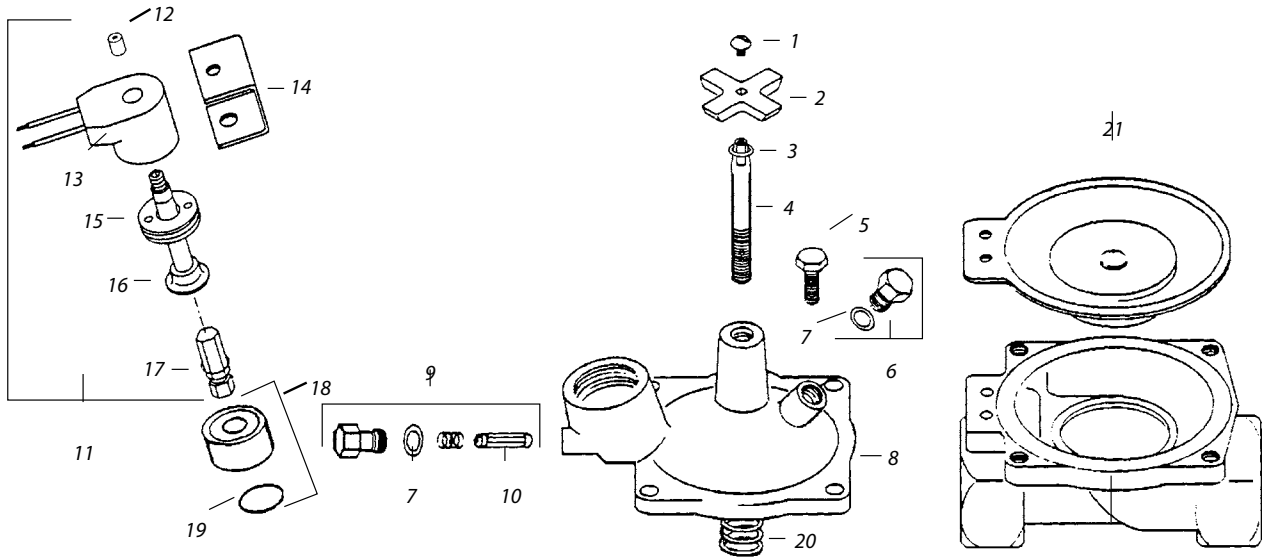


Ref.	Part Description	75E	100E	75EA	100EA
BONNET ASSEMBLY					
1	Bleed Screw	202502	202502	202502	202502
2	Bleed Gasket	—	—	—	—
3	Filter Screen Assy	202653	202653	202653	202653
4	Filter Body	—	—	—	—
5	O-Ring	—	—	—	—
6	Spring	—	—	—	—
7	Filter	206092-02	206092-02	206092-02	206092-02
8	Bonnet Bolt (4)	202507	202507	202507	202507
9	Bonnet	(A)	(A)	(A)	(A)
SOLENOID ASSEMBLY					
10	Solenoid Assy	206920-01	206920-01	206920-01	206920-01
11	Rubber Retainer	627167	627167	627167	627167
12	Coil	602118	602118	602118	602118
13	U-Frame	—	—	—	—
14	Base Nut (Brass)	602142	602142	602142	602142
15	Tube	—	—	—	—
16	Plunger/Spring Assy	—	—	—	—
C	Space Seal	(C)	(C)	(C)	(C)
17	Fluid Resistor Kit	(B) 207399	(B) 207399	(B) 207399	(B) 207399
18	Fluid Resistor	—	—	—	—
19	O-Ring	(203316)	(203316)	(203316)	(203316)
LOWER ASSEMBLY					
20	Diaphragm Spring	202528	202528	202528	202528
21	Diaphragm Assembly	203564	203564	202868	202868
22	Body	(A)	(A)	—	—

(A) Not available. No replacement.
 (B) Old style fluid resistor and space seal are replaced by new style fluid resistor and o-ring. Use Kit # 207399.
 (C) Please note: Old space seal #202538 may be used if additional solenoid plunger clearance is needed.

Note: Part numbers enclosed in brackets () are not available individually, but may be sold in assemblies or kits.

January 1, 2015

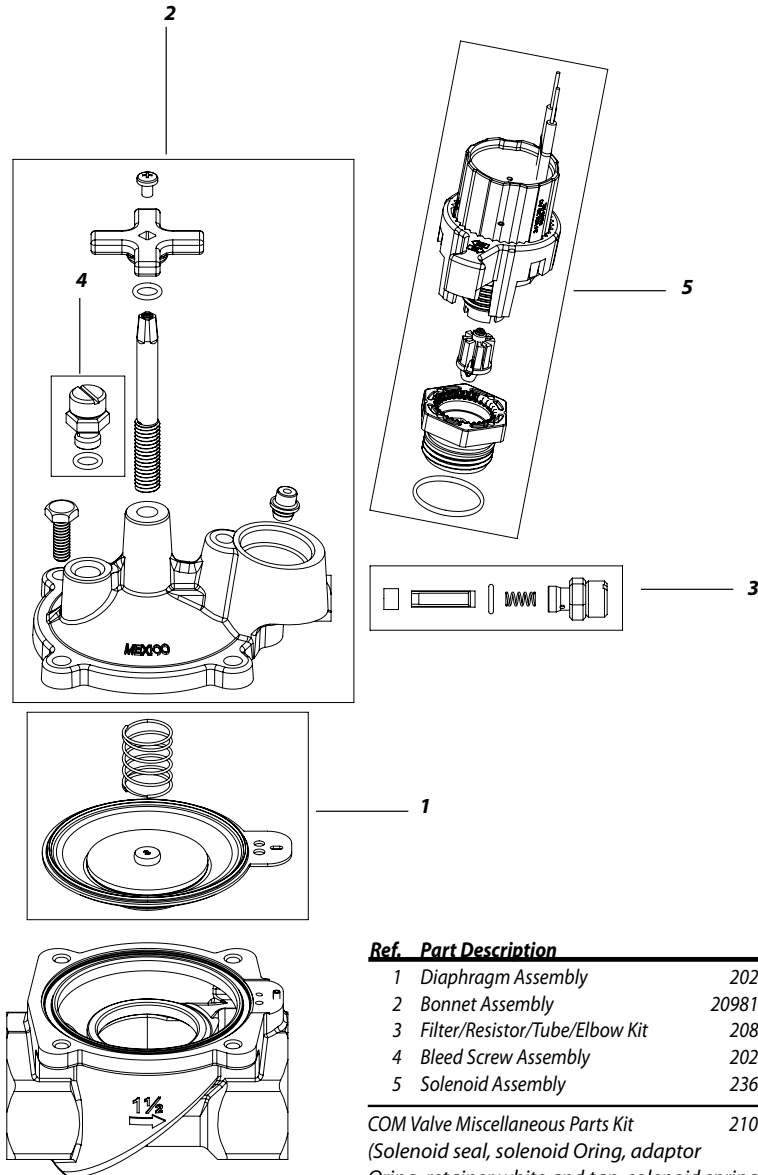


Ref. Part Description	75EF	100EF	125EF	150EF	200EF	75G 75EFA	100G 100EFA	125G 125EFA	150G 150EFA	200G 200EFA
BONNET ASSEMBLY										
1 Screw	202502	202502	202502	202502	202502	202502	202502	202502	202502	202502
2 Handle, flow control NP Handle (sold separately)	209356	209356	209356	209356	209356	209356	209356	209356	209356	209356
3 O-ring, flow control	202515	202515	202515	202515	202515	202515	202515	202515	202515	202515
4 Stem, flow control	—	—	202667	202667	202667	202600	202600	202667	202667	202667
5 Bolts (A)	202507	202507	202507	202507	202507	202507	202507	202507	202507	202507
6 Bleed screw assembly	202669	202669	202669	202669	202669	202669	202669	202669	202669	202669
7 O-ring, bleed screw	—	—	—	—	—	—	—	—	—	—
8 Bonnet	—	—	—	—	—	—	—	—	—	—
- Bonnet, B style	209814-01	209814-01	—	209814-03	209814-04	—	—	209814-02	209814-03	209814-04
- Bonnet assembly, B style	209368-01	209368-01	—	209368-03	209368-04	—	—	209368-02	209368-03	209368-04
- Solenoid, EZ Bleed (B style)	209532-02	209532-02	—	209532-02	209532-02	—	—	209532-02	209532-02	209532-02
9 Filter assembly	202653	202653	202653	202653	202653	202653	202653	202653	202653	202653
7 O-ring, bleed screw	—	—	—	—	—	—	—	—	—	—
10 Filter	206092-02	206092-02	206092-02	206092-02	206092-02	206092-02	206092-02	206092-02	206092-02	206092-02
SOLENOID ASSEMBLY										
11 SOLENOID ASSEMBLY	206920-01	206920-01	206920-01	206920-01	206920-01	206920-01	206920-01	206920-01	206920-01	206920-01
12 Rubber retainer	627167	627167	627167	627167	627167	627167	627167	627167	627167	627167
13 Coil	602118	602118	602118	602118	602118	602118	602118	602118	602118	602118
14 U-Frame	—	—	—	—	—	—	—	—	—	—
15 Nut, base (brass)	602142	602142	602142	602142	602142	602142	602142	602142	602142	602142
16 Tube, welded	—	—	—	—	—	—	—	—	—	—
17 Plunger/spring assembly	—	—	—	—	—	—	—	—	—	—
18 Fluid resistor assembly	207399	207399	207400	207401	207401	207399	207399	207400	207401	207401
19 O-ring	203316	203316	203316	203316	203316	203316	203316	203316	203316	203316
LOWER ASSEMBLY										
20 Diaphragm spring	202528	202528	202516	202542	202542	202528	202528	202516	202542	202542
21 Diaphragm assembly	203564	203564	202511	202520	203500	202868	202868	203604	202614	202615
22 Body, NPT	—	—	—	—	—	—	—	—	—	—

(A) 200 series requires 6 bolts, all others require 4 bolts.-

Note: Part numbers enclosed in brackets () are not available individually, but may be sold in assemblies or kits.

January 1, 2015

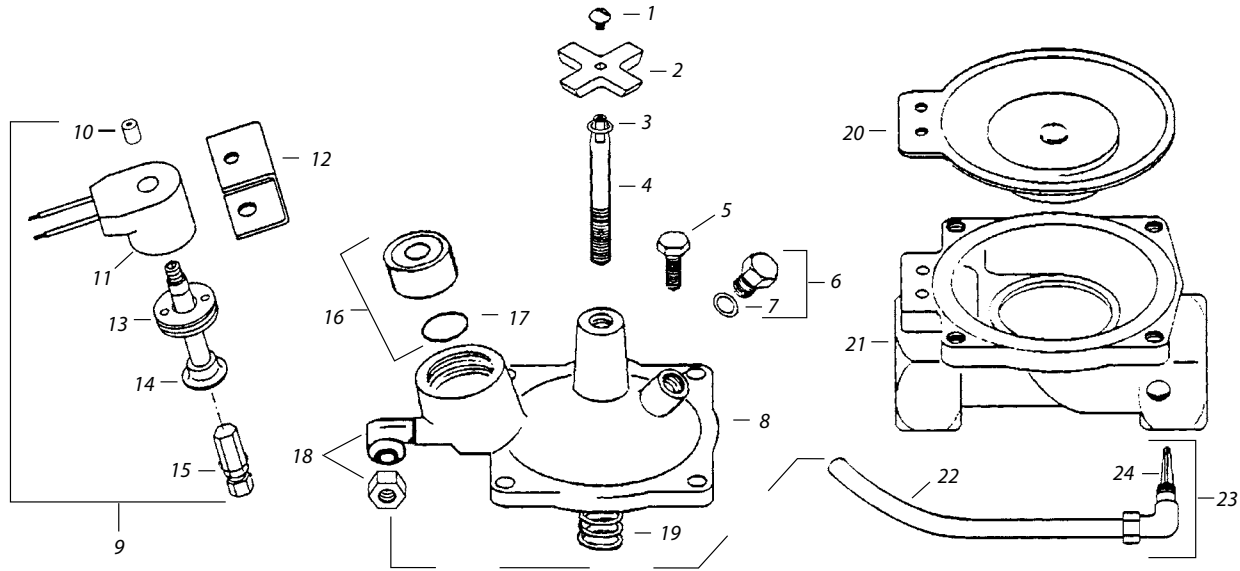


Ref.	Part Description	100	125	150	200
1	Diaphragm Assembly	202868	203604	202614	202615
2	Bonnet Assembly	20981401	20981402	20981403	20981404
3	Filter/Resistor/Tube/Elbow Kit	208554	208554	208554	208554
4	Bleed Screw Assembly	202669	202669	202669	202669
5	Solenoid Assembly	236239	236239	236239	236239

COM Valve Miscellaneous Parts Kit 210464 210464 210464 210464
(Solenoid seal, solenoid Oring, adaptor Oring, retainer white and tan, solenoid spring)

Note: Part numbers enclosed in brackets () are not available individually, but may be sold in assemblies or kits.

January 1, 2015

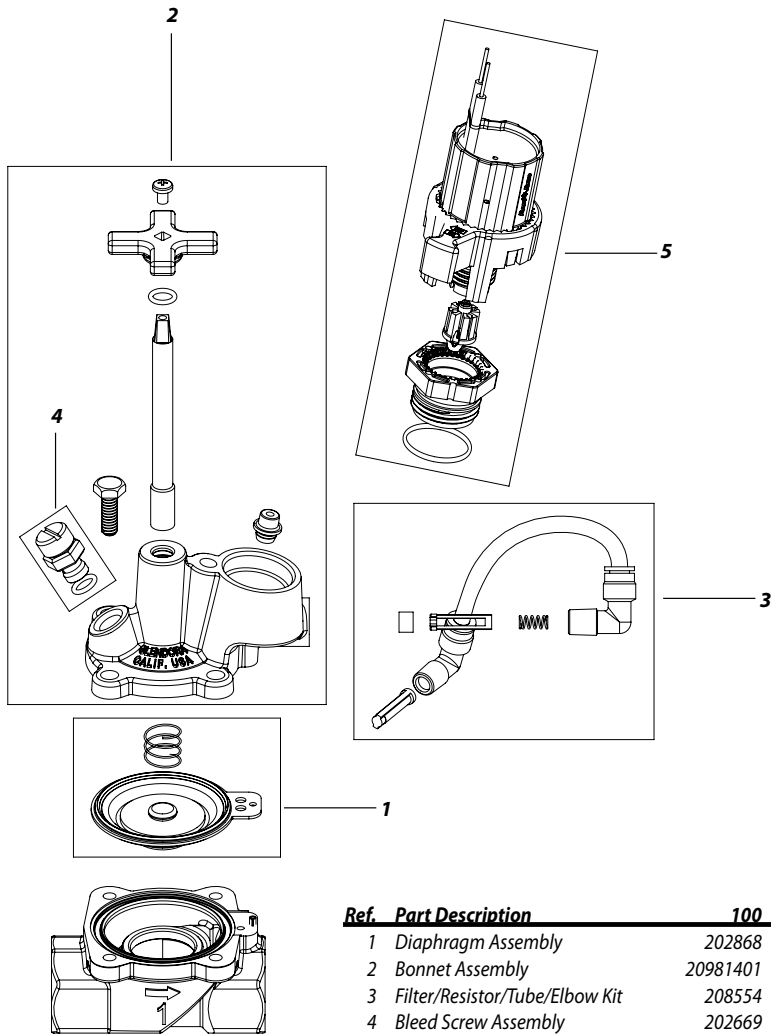


Ref. Part Description	125EF-CP	150EF-CP	200EF-CP	100EFA-CP	125EFA-CP	150EFA-CP	200EFA-CP
BONNET ASSEMBLY							
1 Screw	202502	202502	202502	202502	202502	202502	202502
2 Handle, flow control	209356	209356	209356	209356	209356	209356	209356
- NP Handle (sold separately)	231238	231238	231238	231238	231238	231238	231238
3 O-ring, flow control	202515	202515	202515	202515	202515	202515	202515
4 Stem, flow control	202667	202667	202667	202600	202667	202667	202667
5 Bolts (A)	202507	202507	202507	202507	202507	202507	202507
6 Bleed screw assembly	202669	202669	202669	202669	202669	202669	202669
7 O-ring, bleed screw	—	—	—	—	—	—	—
8 Bonnet	—	—	—	—	—	—	—
- Bonnet, B style	—	209814-03	209814-04	—	209814-02	209814-03	209814-04
- Bonnet assembly, B style	—	209369-03	209369-04	209369-01	209369-02	209369-03	209369-04
- Solenoid, EZ Bleed (B style)	—	209532-02	209532-02	—	209532-02	209532-02	209532-02
SOLENOID ASSEMBLY							
9 Solenoid Assembly	206920-01	206920-01	206920-01	206920-01	206920-01	206920-01	206920-01
10 Rubber retainer	627167	627167	627167	627167	627167	627167	627167
11 Coil	602118	602118	602118	602118	602118	602118	602118
12 U-Frame	—	—	—	—	—	—	—
13 Nut, base (brass)	602142	602142	602142	602142	602142	602142	602142
- Nut, base (plastic)	—	—	—	602606	602606	602606	602606
14 Tube, welded	—	—	—	—	—	—	—
15 Plunger/spring assembly	—	—	—	—	—	—	—
16 Fluid resistor assembly	207400	207401	207401	207399	207400	207401	207401
17 O-ring	203316	203316	203316	203316	203316	203316	203316
LOWER ASSEMBLY							
18 Elbow	202581	202581	202581	202581	202581	202581	202581
19 Diaphragm spring	202516	202542	202542	202528	202516	202542	202542
20 Diaphragm	202511	202520	203500	202868	203604	202614	202615
21 Body, NPT	—	—	—	—	—	—	—
22 Nylon tube	202598	202598	202598	202598	202598	202598	202598
23 Filter assembly	202579	202579	202579	202579	202579	202579	202579
24 Filter	206092-02	206092-02	206092-02	206092-02	206092-02	206092-02	206092-02

(A) 200 series requires 6 bolts, all others require 4 bolts.-

Note: Part numbers enclosed in brackets () are not available individually, but may be sold in assemblies or kits.

January 1, 2015

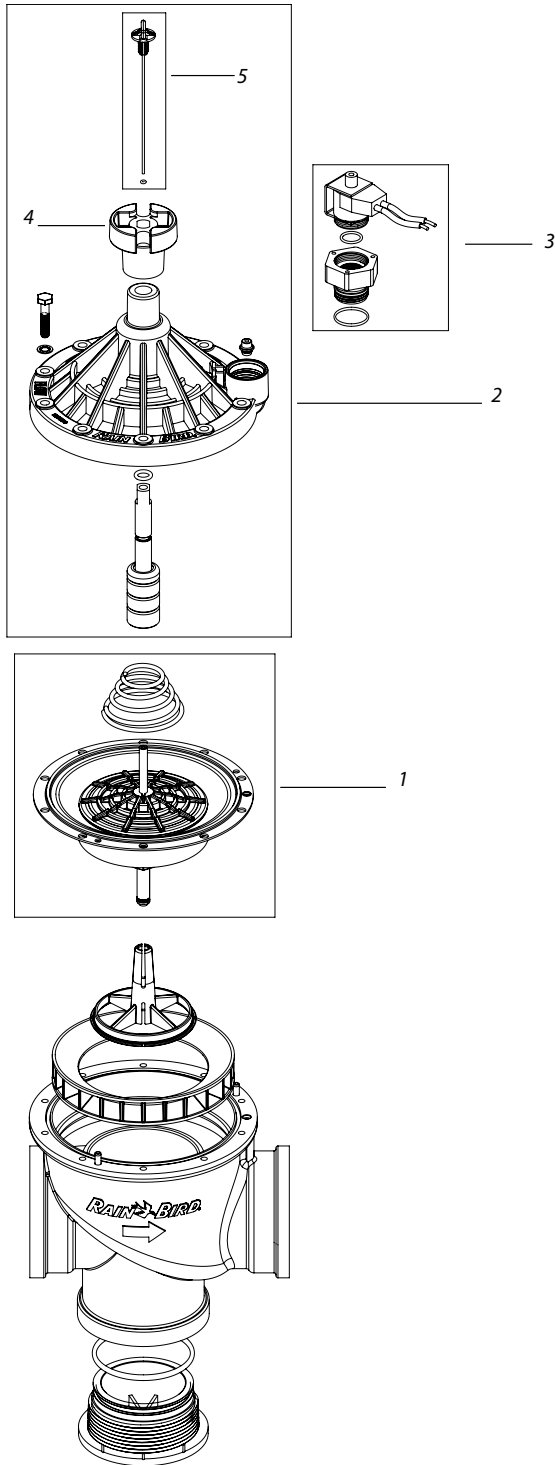


Ref.	Part Description	100	125	150	200
1	Diaphragm Assembly	202868	203604	202614	202615
2	Bonnet Assembly	20981401	20981402	20981403	20981404
3	Filter/Resistor/Tube/Elbow Kit	208554	208554	208554	208554
4	Bleed Screw Assembly	202669	202669	202669	202669
5	Solenoid Assembly	236239	236239	236239	236239

COM Valve Miscellaneous Parts Kit 210464 210464 210464 210464
 (Solenoid seal, solenoid Oring, adaptor Oring, white retainer, tan retainer, solenoid spring)

Note: Part numbers enclosed in brackets () are not available individually, but may be sold in assemblies or kits.

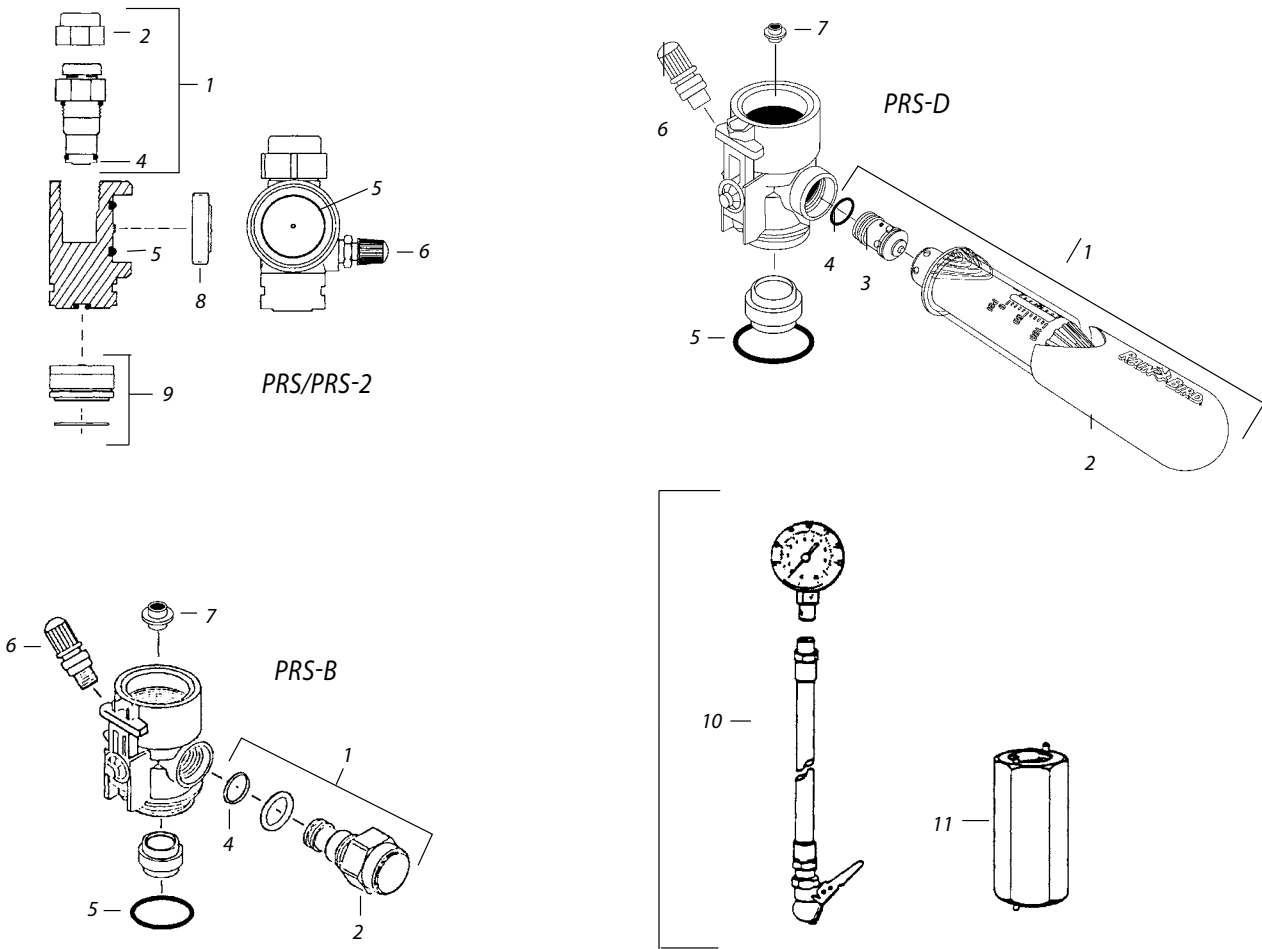
January 1, 2015



<u>Ref. Part Description</u>	<u>300BPE</u>	<u>300BPES</u>
1 Diaphragm Assembly	231543	231542
2 Bonnet Assembly	231548	231548
3 BPE Solenoid Assembly	B31800	B31800
4 NP Handle	240134	240134
5 Bleed Screw Assembly	204152	204152

Note: Part numbers enclosed in brackets () are not available individually, but may be sold in assemblies or kits.

January 1, 2015

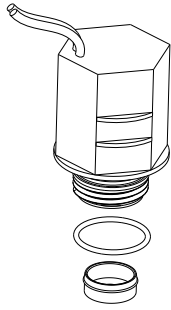


Ref.	Part Description	PRS	PRS-2	PRS-B	PRS-D
CARTRIDGE					
1	Cartridge assembly	—	—	—	—
2	Cap	—	—	—	—
3	Seat assembly	—	—	—	—
4	O-ring, seat	203026	203026	203026	203026
HOUSING					
5	O-ring, housing	—	—	209502	209502
6	Schrader valve	—	—	—	—
7	Solenoid seal	—	—	208629	208629
8	Nut, plastic	602606	—	—	—
9	Fluid resistor (1")	207399	—	—	—
—	Fluid resistor (1 1/4")	207400	—	—	—
—	Fluid resistor (1 1/2" and 2")	207401	—	—	—
TOOLS					
10	Pressure hose gauge (PHG)	—	—	—	—
11	Solenoid wrench	B33003	B33003	—	—

Note: Part numbers enclosed in brackets () are not available individually, but may be sold in assemblies or kits.

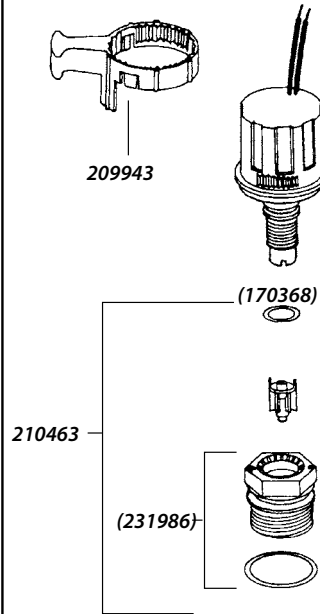
January 1, 2015

ASVF / JTV / DV SOLENOID - 208588-01



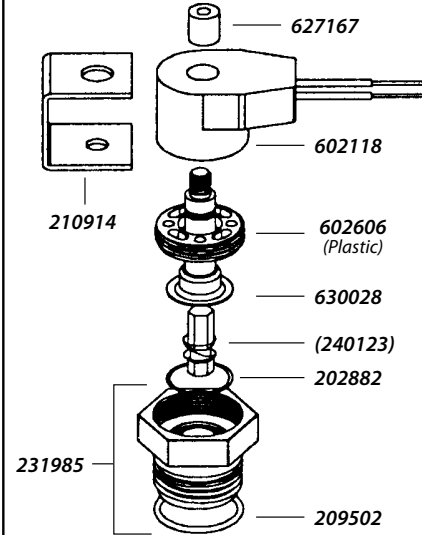
E-Z BLEED KIT - 209532-02

Used on
PGA / PEB / PESB / GB / EFB-CP Valves



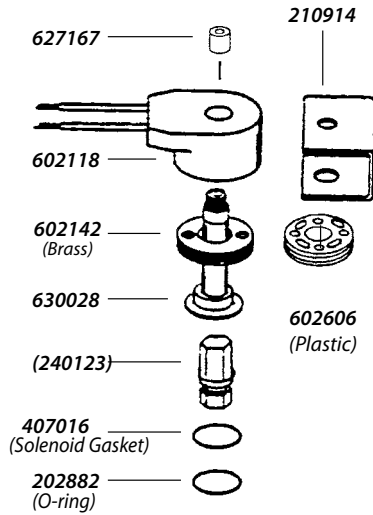
B TO A SOLENOID ADAPTER - B31800

Used on
PGA / PEB / PESB / GB /
EFB-CP / BPE / BPES Valves



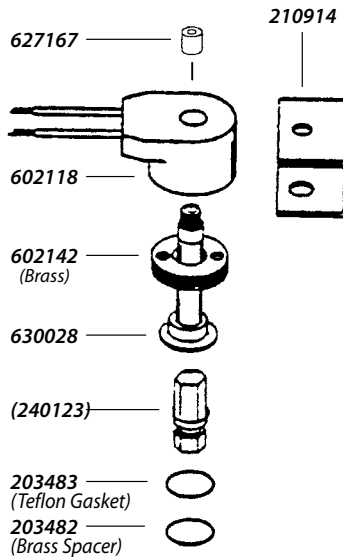
UNIVERSAL KIT - 206920-01

Used on
E / EA / EF / EFA / G / PE / EP Valves
DR Rotors



**K-7 CONVERSION KIT - 203671
(ITT SOLENOID REPLACEMENT)**

Used on
61000 Series Valves
EAV / EGV / ETV Valves



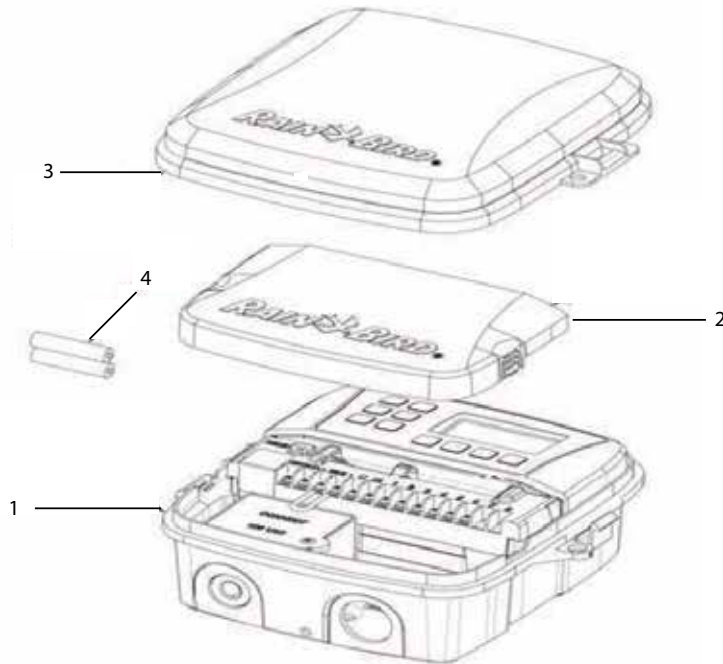
HV SOLENOID - 236307

Used on
100HV / 100HVF Valves



Note: Part numbers enclosed in brackets () are not available individually, but may be sold in assemblies or kits.

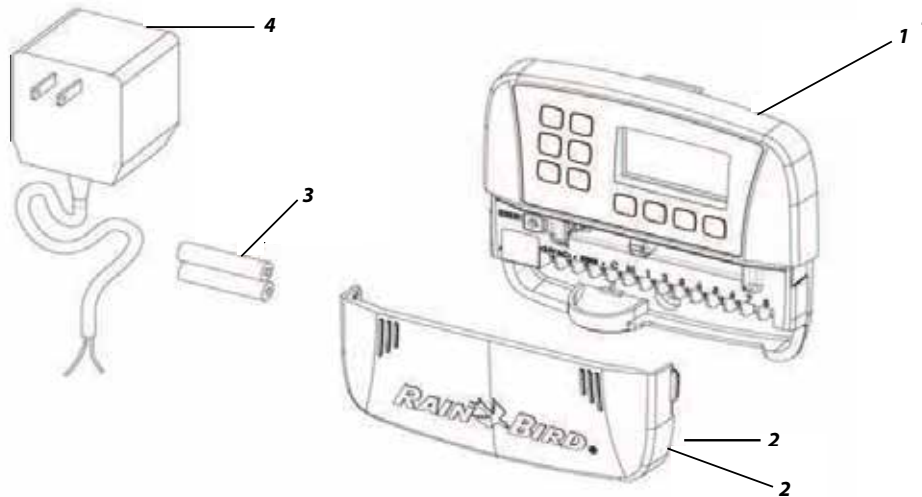
January 1, 2015



Ref. Part Description	Qty.	RZX-4	RZX-6	RZX-8	
1 Outdoor Controller Assembly	1	(638411-01)	(638411-02)	(638411-03)	
2 Wire Cover, Outdoor	1	(638327-01)	(638327-01)	(638327-01)	
3 Door, Outdoor, LCRC	1	(638329-01)	(638329-01)	(638329-01)	
4 Battery, AAA, Alkaline, 1.5V	2	(638355-01)	(638355-01)	(638355-01)	
Accessories					
- User Manual	1	(640251-01)	(640251-01)	(640251-01)	Available for download at www.rainbird.com
- Quick Reference Manual	1	(638687-01)	(638687-01)	(638687-01)	Available for download at www.rainbird.com

Note: Part numbers enclosed in brackets () are not available individually, but may be sold in assemblies or kits.

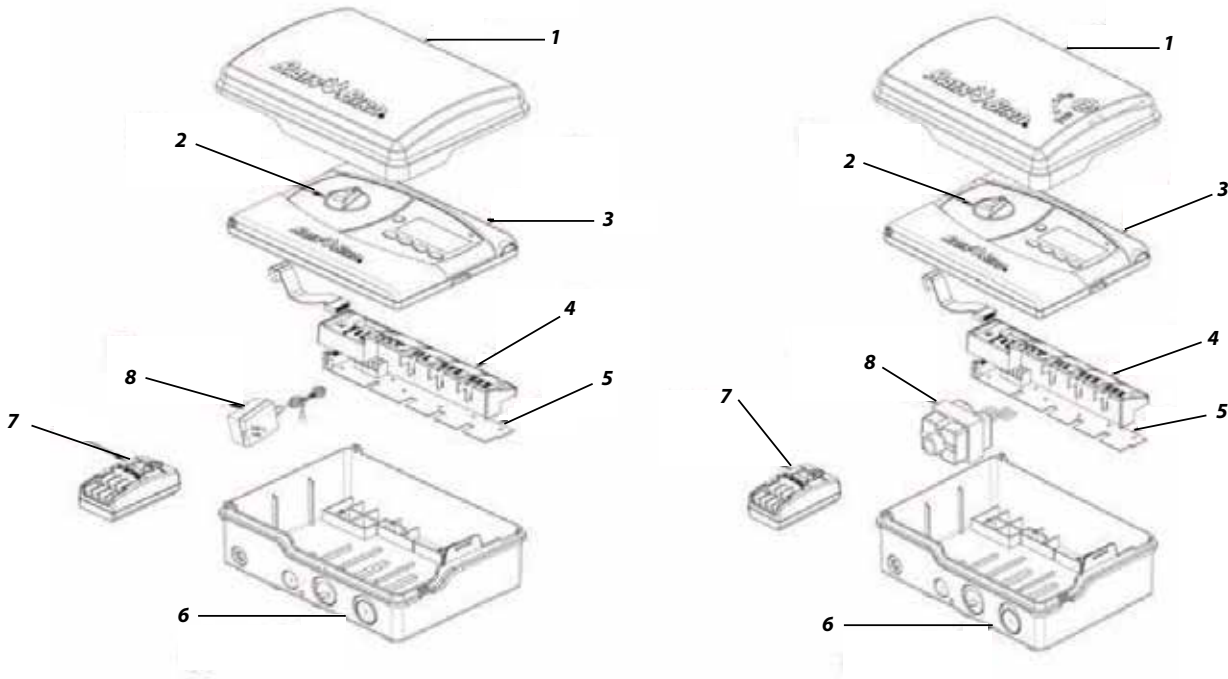
January 1, 2015



Ref.	Description	Qty.	RZX-4i	RZX-6i	RZX-8i
1	Front Panel Assembly	1	(638410-01)	(638410-02)	(638410-03)
2	Wire Cover, Indoor	1	(638324-01)	(638324-01)	(638324-01)
3	Battery, AAA, Alkaline, 1.5V	1	(638355-01)	(638355-01)	(638355-01)
4	Transformer 120 VAC, 60 HZ	1	638587-01	638587-01	638587-01
5	Transformer Intl (type C) 230V	1	638336-01	638336-01	638336-01
6	Transformer Arg, Iram 2063 230V	1	638336-02	638336-02	638336-02
Accessories					
-	User Manual	1	(640251-xx)	(640251-xx)	(640251-xx) Available for download at www.rainbird.com
-	Quick Reference Manual	1	(638687-xx)	(638687-xx)	(638687-xx) Available for download at www.rainbird.com

Note: Part numbers enclosed in brackets () are not available individually, but may be sold in assemblies or kits.

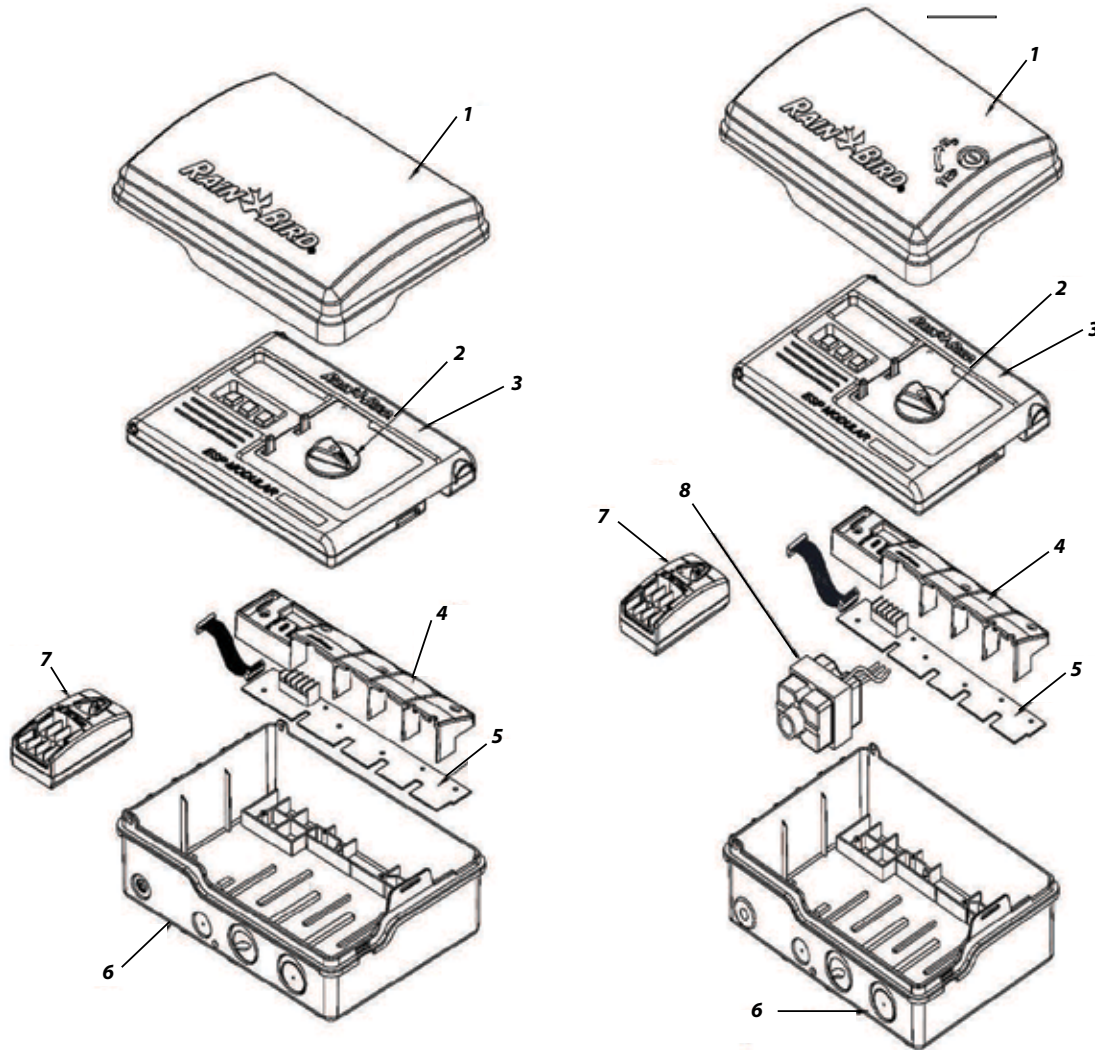
January 1, 2015



Ref.	Description	Qty.	ESP-ME(INDOOR)	ESP-ME (OUTDOOR)
1	Door Assembly	1	(638461-01)	(638461-02)
2	Panel Assembly, ESPME	1	(638460-01)	(638460-01))
3	Knob Selector	1	(635684)	(635684)
4	Cover, Backplane, ESPME	1	(638487-01)	(638487-01)
5	PWB Assembly, Backplane	1	635575-01	635575-01
6	Housing, Rear, ESPME	1	(638492-01)	(638492-01)
7	Module Zero Assembly	1	635695-01	635695-01
8	Transformer	1	637569-01	637570
Accessories				
-	User Manual	1	Available for download at www.rainbird.com	
-	3 Station Expansion Module	1	F38200	F38200
-	6 Station Expansion Module	1	F38260	F38260

Note: Part numbers enclosed in brackets () are not available individually, but may be sold in assemblies or kits.

January 1, 2015



Ref.	Part Description	Qty.	ESP-4Mi (Indoor)	ESP-4M (Outdoor)
1	Door Assembly	1	(635910-01)	(635693-01)
2	Knob Selector, ESP-Modular	1	(635684)	(635684)
3	Panel Assembly	1	(F38010)	(F38010)
4	Backplane cover, ESP Modular, Gray	1	(635680)	(635680)
5	Backplane PWB Assembly	1	635575-01	635575-01
6	Cabinet Case, ESP-Modular	1	(635676)	(635676)
7	Module Zero Assembly	1	635695	635695
8	Transformer 120VAC, 60Hz	1	637567-01	635570-R

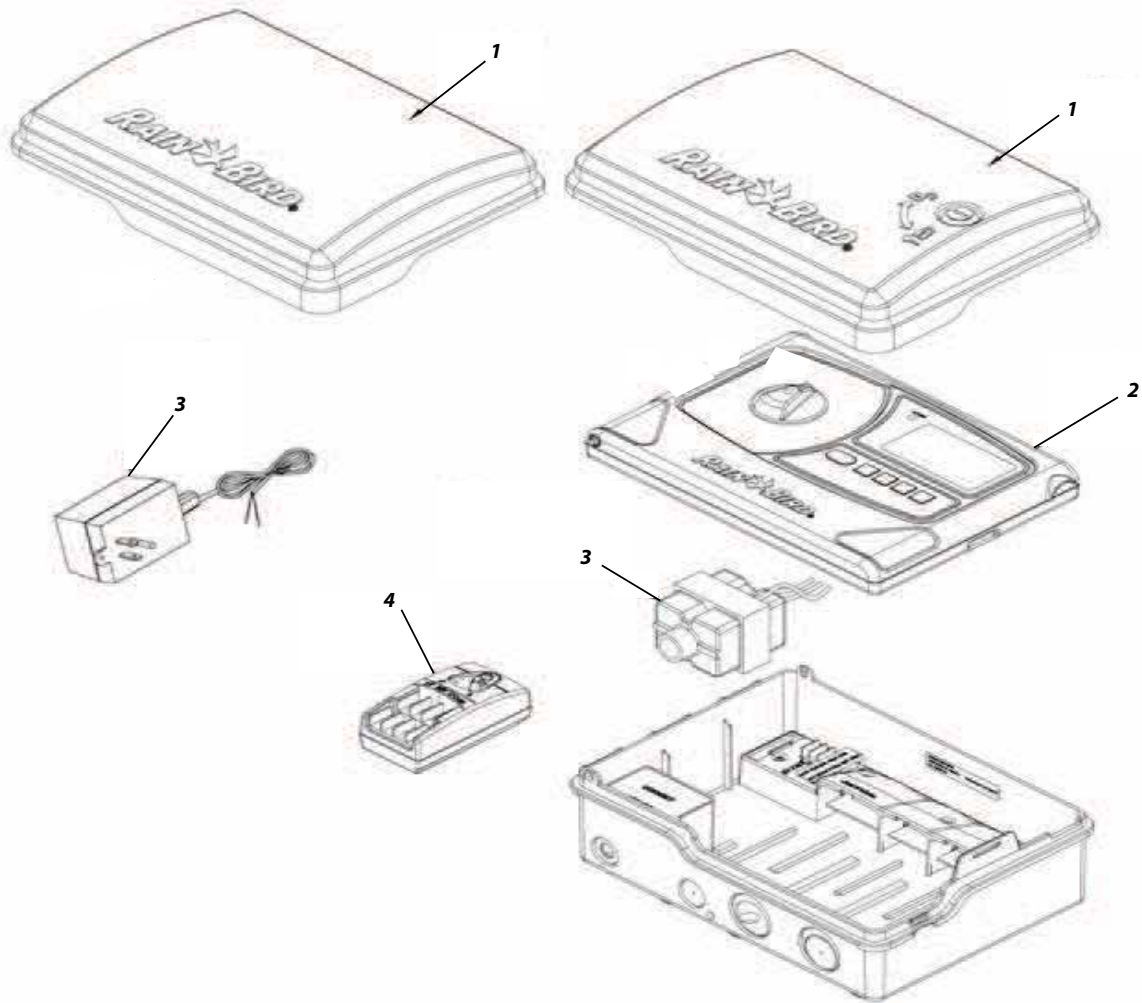
Accessories

-	Programming Chart	1	(635674)	(635674)
-	Manual, English/Spanish/French	1	(635673)	(635673)
-	Transformer, Indoor, ESP-Modular	1	(635640)	—
-	Contractor Default Card	1	(636136)	(636136)
-	3 Station Expansion Module, ESP-Modular		F38200	F38200

Available for download at
www.rainbird.com

Note: Part numbers enclosed in brackets () are not available individually, but may be sold in assemblies or kits.

January 1, 2015



Ref.	Description	Qty.	ESP-SMT (Indoor)	ESP-SMT (Outdoor)
1	DOOR, ESP-SMT	1	(637694-01S)	(637526-01S)
2	PANEL ASSEMBLY	1	63734701S	63734701S
3	TRANSFORMER 120VAC, 60Hz (INDOOR)	1	637567-01	635570-12
4	Module Zero Assembly	1	635695	635695

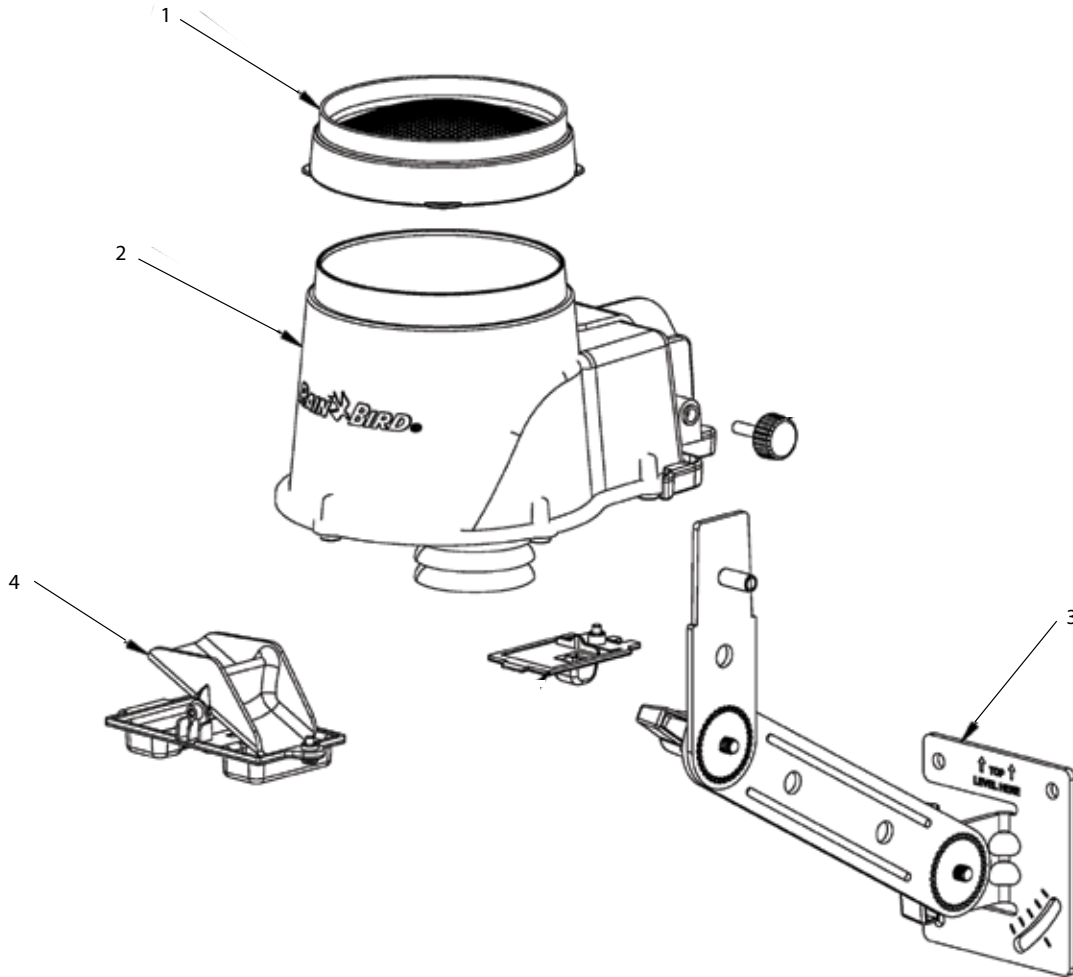
ACCESSORIES

-	3 Station Expansion Module	1	F38200	F38200
-	User Manual (English)	1		
-	Site Profile Chart (English)	1		
-	User Manual (Spanish)	1		
-	Site Profile Chart (Spanish)	1		

Available for download at www.rainbird.com

Note: Part numbers enclosed in brackets () are not available individually, but may be sold in assemblies or kits.

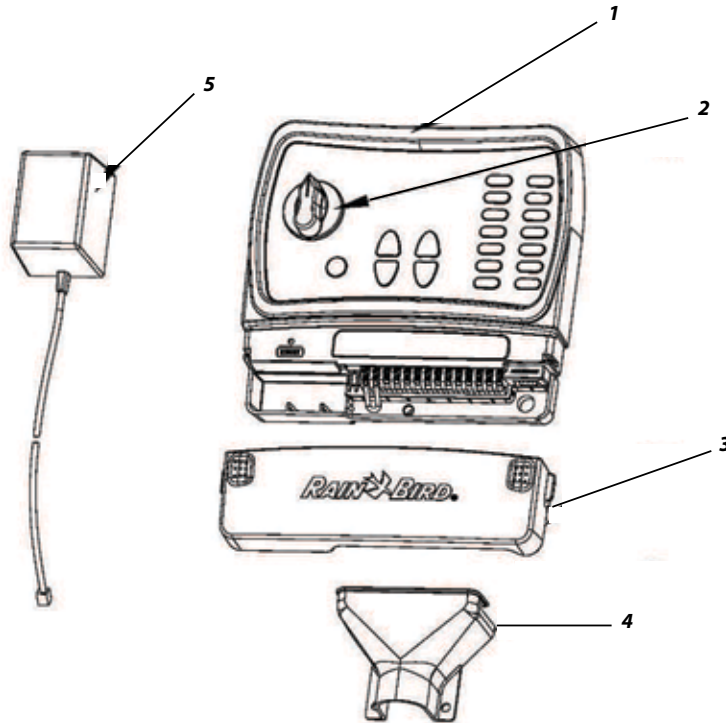
January 1, 2015



Ref.	Part Description	Qty.	ESP-SMT SENSOR
1	Debris Screen, ESP-SMT	1	(637339-01S)
2	Weather Sensor Assembly (Includes Tipping Rain Bucket, Debris Screen and Wire Cover with captive screw)	1	(637338-01S)
3	Mounting Bracket Assembly (Includes Mounting Hardware and Knob)	1	(637352-01S)
4	Tipping Rain Bucket Assembly	1	(637337-01S)

Note: Part numbers enclosed in brackets () are not available individually, but may be sold in assemblies or kits.

January 1, 2015

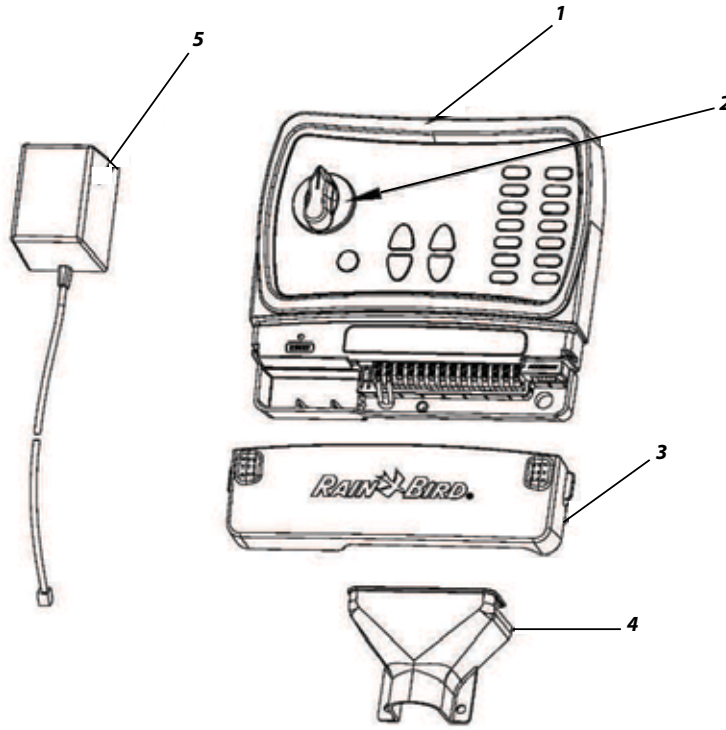


Ref. Part Description	Qty.	STP400iEU	STP600iEU	STP900iEU
1 Front Panel Assembly	1	(637508-04)	(637508-05)	(637508-06)
2 Rotary Knob, STP	1	(637471-02)	(637471-02)	(637471-02)
3 Wiring Cover	1	637155-01	637155-01	637155-01
Accessories				
4 Wiring Skirt	1	633943	633943	633943
5 Transformer Assembly 120VAC, 60Hz	1	634152-01	634152-01	634152-01
- STP Manual, ENG / FRE / SPA / POR / ITA	1	(637589-01)	(637589-01)	(637589-01)
- STP Manual, GER / DUT / GRE / TUR	1	(637589-02)	(637589-02)	(637589-02)
- STP Language Card FRE / ITA	1	(637590-01)	(637590-01)	(637590-01)
- STP Language Card SPA / POR	1	(637590-02)	(637590-02)	(637590-02)
- STP Language Card GER / DUT	1	(637590-03)	(637590-03)	(637590-03)
- STP Language Card GRE / TUR	1	(637590-04)	(637590-04)	(637590-04)

Available for download
at www.rainbird.com

Note: Part numbers enclosed in brackets () are not available individually, but may be sold in assemblies or kits.

January 1, 2015

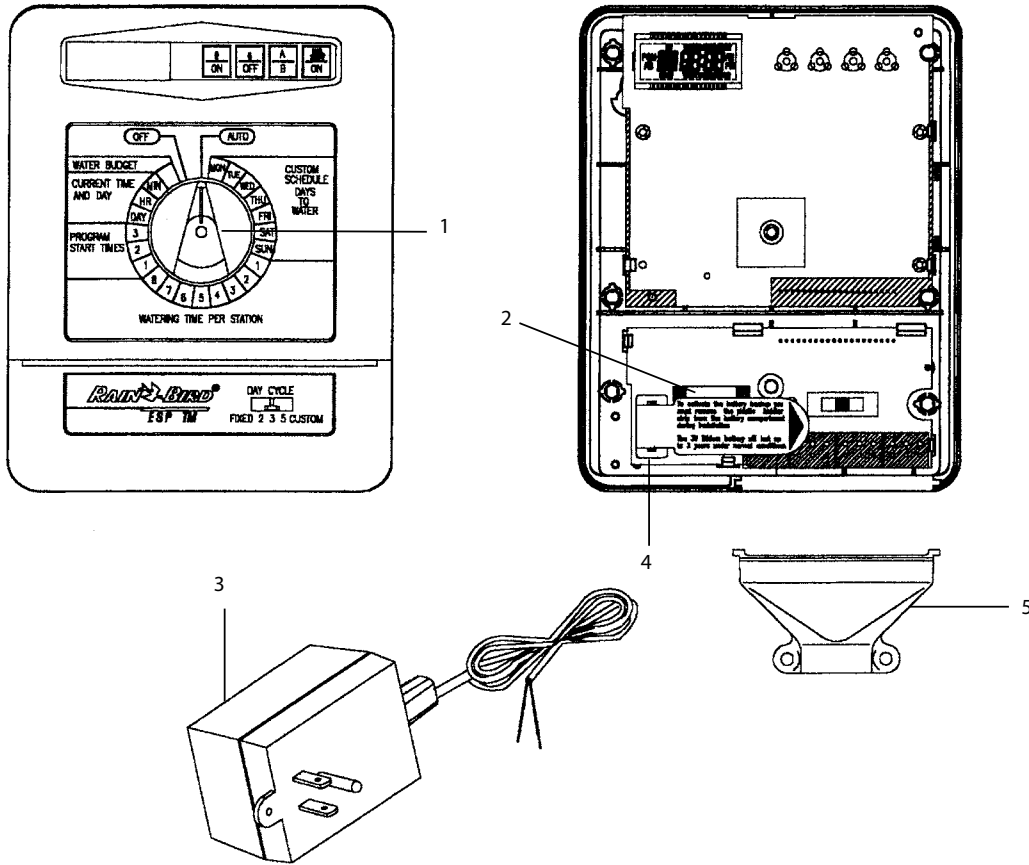


Ref.	Part Description	Qty.	STP400i	STP600i	STP900i
1	Front Panel Assembly	1	(637508-01)	(637508-02)	(637508-03)
2	Rotary Knob, STP	1	(637471-02)	(637471-02)	(637471-02)
3	Wiring Cover	1	637155-01	637155-01	637155-01
Accessories					
4	Wiring Skirt	1	633943	633943	633943
5	Transformer Assembly 120VAC, 60Hz	1	637473-01S	637473-01S	637473-01S
-	STP Manual, ENG	1	(637418-01)	(637418-01)	(637418-01)
-	STP Manual, SPA	1	(637418-02)	(637418-02)	(637418-02)
-	STP Language Card SPA	1	(637417-01)	(637417-01)	(637417-01)

Available for download
at www.rainbird.com

Note: Part numbers enclosed in brackets () are not available individually, but may be sold in assemblies or kits.

January 1, 2015



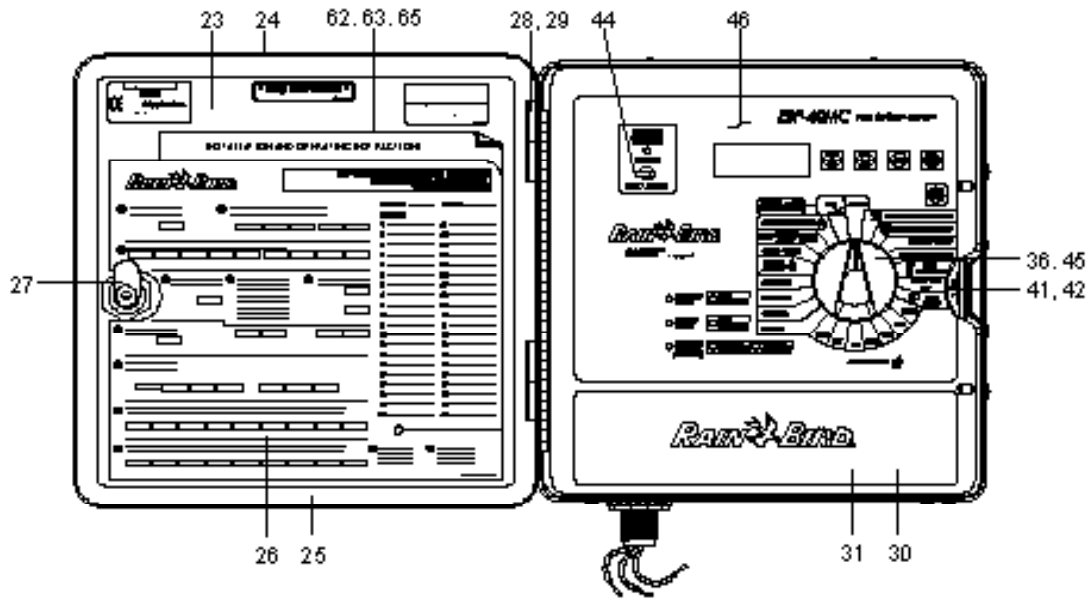
Ref	Description	Qty	Manufactured	Manufactured on or
			Feb 09 & earlier	after March 2009
			ESP-4TM	ESP-4TM
			ESP-6TM	ESP-6TM
			ESP-8TM	ESP-8TM
1	Function Selector Knob	1	(630946)	(630946)
2	Fuse, 250V, 0.75 Amp, 3AG	1	(650097-13)	—
3	Transformer, (Plug In) 120 VAC, 0.65A	1	633188	637817-01S
4	Battery - Sony CR2025 3 Volt Lithium Cell	1	(651472)	(651472)
	Wiring Skirt	1	633943	633943
-	Instruction Manual	1	(632993)	(632993)

Available for download at www.rainbird.com

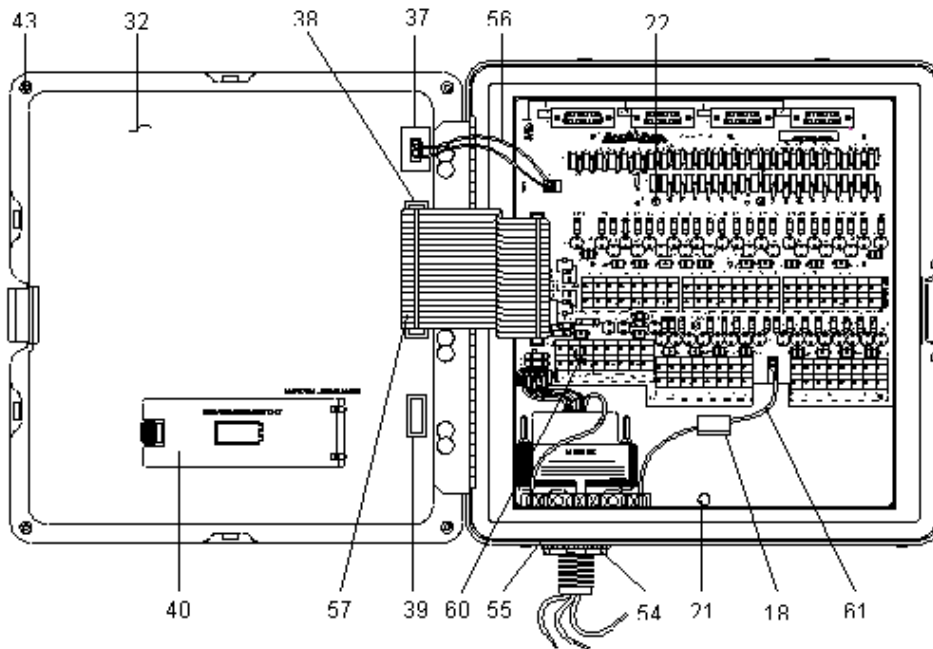
Note: Part numbers enclosed in brackets () are not available individually, but may be sold in assemblies or kits.

January 1, 2015

ESP-MC Front Panel in Closed Position



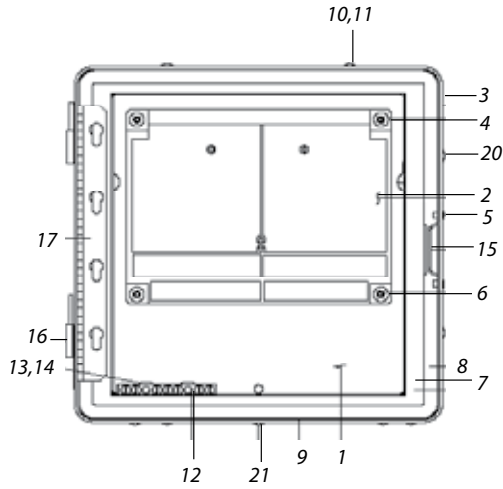
ESP-MC Front Panel in Open Position



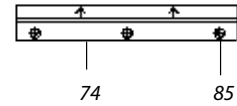
Note: Part numbers enclosed in brackets () are not available individually, but may be sold in assemblies or kits.

January 1, 2015

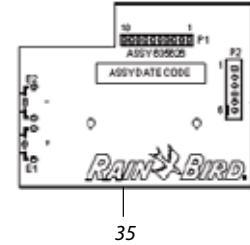
ESP-MC Cabinet Assembly



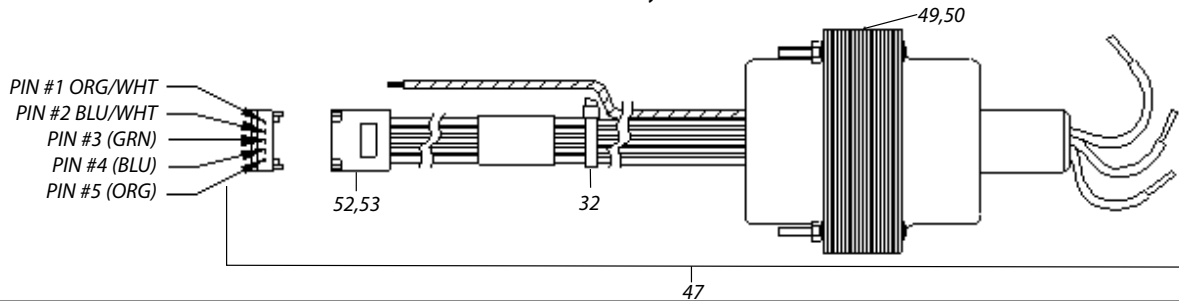
Bracket Wall-Mount Assembly



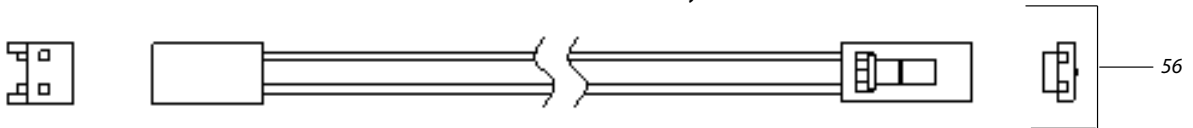
ESP-MC Battery Board Assembly



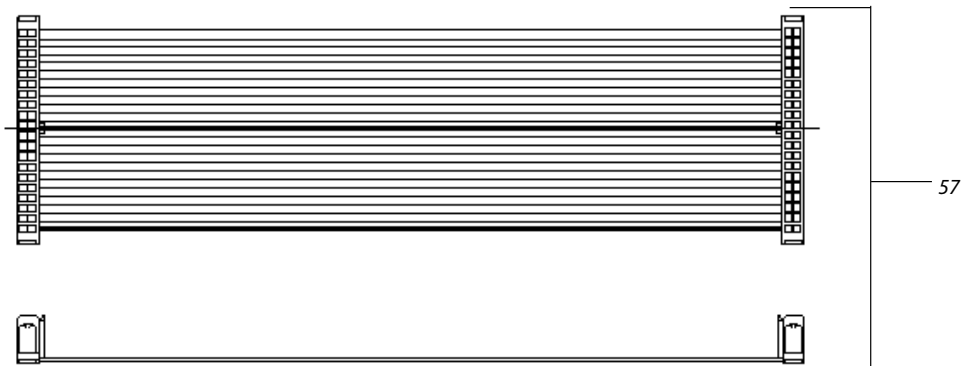
Transformer Assembly - ESP-MC



ESP-MC Sensor Cable Assembly



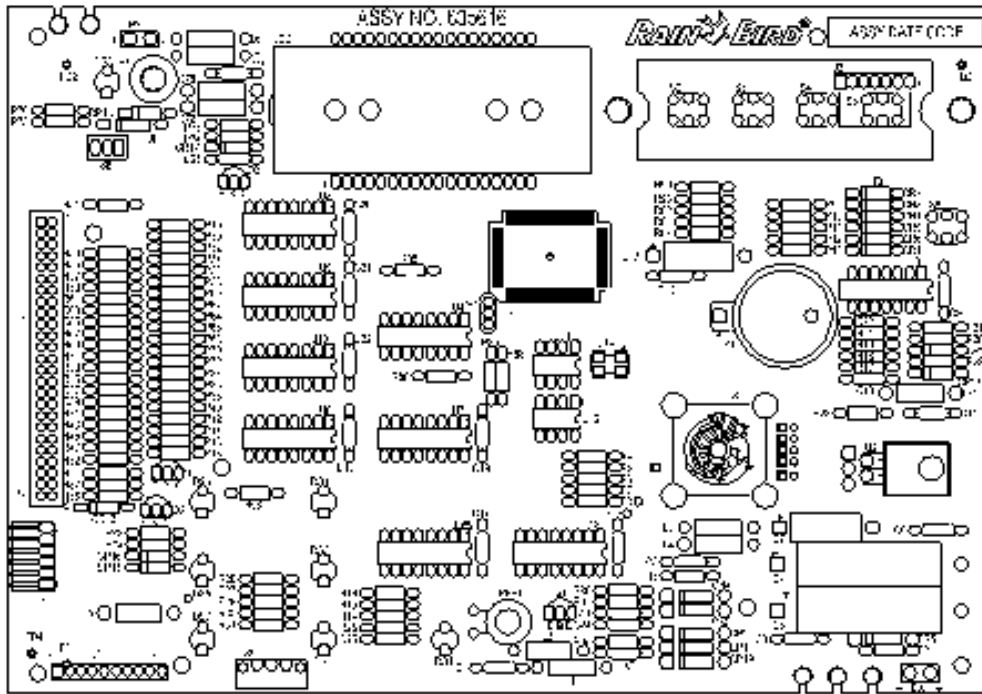
ESP-MC Cable Harness Assembly



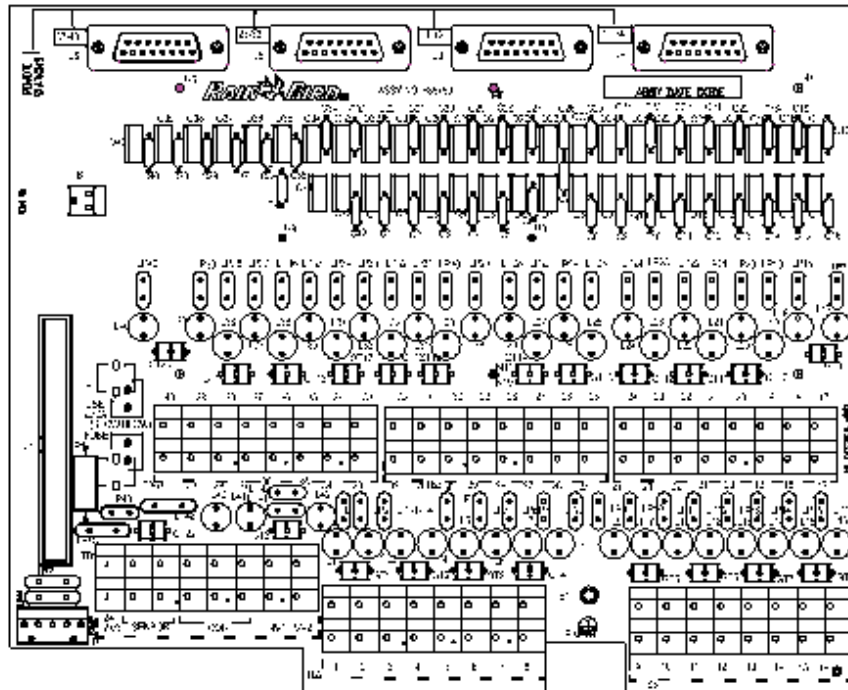
Note: Part numbers enclosed in brackets () are not available individually, but may be sold in assemblies or kits.

January 1, 2015

Control PWB Assembly



Terminal PWB Assembly



Note: Part numbers enclosed in brackets () are not available individually, but may be sold in assemblies or kits.

January 1, 2015

Ref	Description	Qty	ESP-12MC	ESP-24MC	ESP-40MC
1	ESP-MC CABINET ASSEMBLY	1	(633583)	(633583)	(633583)
2	Spacer, Terminal Board	1	(631919)	(631919)	(631919)
3	Cabinet, Draw Formed	1	(634126-03)	(634126-03)	(634126-03)
4	Washer, Flat #10	4	(650023-13)	(650023-13)	(650023-13)
5	Rivet Semitubular Oval Head	6	(650401)	(650401)	(650401)
6	Rivet Blind	4	(650434-13)	(650434-13)	(650434-13)
7	Seal, Panel-Frame	1	(635590)	(635590)	(635590)
8	Frame	1	(635591)	(635591)	(635591)
9	Seal, Frame-Cabinet	1	(635592)	(635592)	(635592)
10	Fastener, Push-in	8	(651594)	(651594)	(651594)
11	Washer, Fastener Seal Push-in	8	(635634)	(635634)	(635634)
12	Grounding Bar	1	(651440)	(651440)	(651440)
13	Washer, #8 Lock External Tooth	2	(650163-03)	(650163-03)	(650163-03)
14	Screw, #8-32x.625 Pan Head	2	(650106-46)	(650106-46)	(650106-46)
15	Strike, Lock	1	(635744)	(635744)	(635744)
16	Hinge, Male	2	(629227-01)	(629227-01)	(629227-01)
17	Hinge, Panel	1	(635593)	(635593)	(635593)
18	Wire Clip	1	(651446-02)	(651446-02)	(651446-02)
19	Corrosion Inhibitor Foam	1	(651331)	(651331)	(651331)
20	Plug Hole, .187 Nylon White	2	(650485-02)	(650485-02)	(650485-02)
21	Plug Hole, .250 Nylon White	4	(650485-04)	(650485-04)	(650485-04)
22	Screw, Hi-Lo #7-19x1/2 Pan Head	3	(650183-63)	(650183-63)	(650183-63)
23	ESP-MC DOOR ASSEMBLY	1	(635740-09)	(635740-09)	(635740-09)
24	Door Painted Gray	1	(629113-03)	(629113-03)	(629113-03)
25	Gasket "D" Shape	1	(651573)	(651573)	(651573)
26	Pocket, Door	1	(633174)	(633174)	(633174)
27	Lock, Cam	1	650755	650755	650755
28	Hinge, Female	2	(635745)	(635745)	(635745)
29	Rivet, Semitubular Oval Head	4	(650401)	(650401)	(650401)
30	ESP-MC FRONT PANEL ASSY	1	K01718	K01918	K02218
31	Front Panel	1	(635584)	(635584)	(635584)
32	Back Cover	1	(635588)	(635588)	(635588)
33	Seal Panel	1	(635587)	(635587)	(635587)
34	Control Board Assembly	1	(635616-02)	(635616-04)	(635616-06)
35	Battery Board Assembly	1	(635626-01)	(635626-01)	(635626-01)
36	Knob, Function Selector	1	(630946)	(630946)	(630946)
37	Gasket, Sensor Connector	1	(635733)	(635733)	(635733)
38	Gasket, Flat Cable Connector	1	(635734)	(635734)	(635734)
39	Gasket, Maxicom Connector	1	(635735)	(635735)	(635735)
40	Door, Battery	1	(635589)	(635589)	(635589)
41	Latch	1	(635620)	(635620)	(635620)
42	Spring Latch	1	(651609)	(651609)	(651609)
43	Screw, #4-24x5/16 Washer Head	4	(650563-23)	(650563-23)	(650563-23)
44	Boot, Sensor Switch	1	(635632)	(635632)	(635632)
45	Boot, Rotary Switch	1	(635633)	(635633)	(635633)
46	Overlay, Membrane Switch	1	(635594-02)	(635594-04)	(635594-06)

Note: Part numbers enclosed in brackets () are not available individually, but may be sold in assemblies or kits.

January 1, 2015

Ref	Description	Qty	ESP-12MC	ESP-24MC	ESP-40MC
47	Transformer Assembly 60 Hz	1	633148-01	633148-01	633148-01
48	Transformer Assembly 50 Hz	1	633148-02	633148-02	633148-02
49	Transformer 120 Volts	1	(633146)	(633146)	(633146)
50	Transformer 230 Volts	1	(633147)	(633147)	(633147)
51	Cable Tie, Nylon 7/8 Bundle	1	(650131)	(650131)	(650131)
52	Housing Crimp Terminal 5 Circ.	1	(650873-02)	(650873-02)	(650873-02)
53	Terminal Crimp Molex	5	(650323)	(650323)	(650323)
54	Locknut Conduit	1	(628013)	(628013)	(628013)
55	Washer Lock External Tooth	1	(651389)	(651389)	(651389)
CABLE ASSEMBLIES ESP-MC					
56	Cable Sensor Assembly	1	(635624-01)	(635624-01)	(635624-01)
57	Cable Assembly Ribbon	1	(635622)	(635622)	(635622)
58	Control PWB Assy ESP-MC	1	(635616-02)	(635616-04)	(635616-06)
C3,8,9,10,14					
16,17,20,24	Capacitor, .1uF, 50V	9	(650085-55)	(650085-55)	(650085-55)
C21	Capacitor, 1uF, 50V	1	(650085-55)	(650085-55)	(650085-55)
C22	Capacitor, 1uF, 50V	1	—	(650085-55)	(650085-55)
C18	Capacitor, 1uF, 50V	1	—	—	(650085-55)
C19	Capacitor, 1uF, 50V	1	—	—	(650085-55)
C1,2,11,23,25	Capacitor, .01uF, 100V	5	(650882-01)	(650882-01)	(650882-01)
C4	Capacitor Elect. 1000uF, 25V	1	(651054-12)	(651054-12)	(651054-12)
C5	Capacitor Elect. 330uF, 25V	1	(650624)	(650624)	(650624)
C6	Capacitor NPO	1	(650833-13)	(650833-13)	(650833-13)
C7,15	Capacitor Elect. 47uF, 10V	2	(650044-03)	(650044-03)	(650044-03)
CR1,5,19	Diode, 1N4002	6	(650077-02)	(650077-02)	(650077-02)
VR1	Diode Zener, 1N5232B	1	(650038-71)	(650038-71)	(650038-71)
CR6	Diode Switch, 1N4148	1	(650037-01)	(650037-01)	(650037-01)
CR7	Diode Switch, 1N4148	1	(650037-01)	(650037-01)	(650037-01)
CR8	Diode Switch, 1N4148	1	—	(650037-01)	—
CR9	Diode Switch, 1N4148	1	—	—	(650037-01)
CR11,18	Diode Switch, 1N4148	8	(650037-01)	(650037-01)	(650037-01)
DS1-DS8	Led, Red .200 Centers	8	(650910)	(650910)	(650910)
L1-L7	Inductor Ferrite	7	(650300-05)	(650300-05)	(650300-05)
P2	Sensor Cable	1	(635623-01)	(635623-01)	(635623-01)
Q1,Q2	Transistor PNP	2	(650369)	(650369)	(650369)
Q3,Q4	Transistor PNP 625 mW	2	(650367)	(650367)	(650367)
R2	Resistor 1/4 W, 3.3k Ohms	1	(650079-85)	(650079-85)	(650079-85)
R19,91	Resistor 1/4 W, 10k Ohms	2	(650079-97)	(650079-97)	(650079-97)
R3,74,					
75,96,97	Resistor 1/4 W, 220k Ohms	5	(650080-30)	(650080-30)	(650080-30)
R20,21,22,84,					
87,88,89,90	Resistor 1/4 W, 4.7k Ohms	8	(650079-89)	(650079-89)	(650079-89)
R4-16,73,					
81,82,93,94	Resistor 1/4 W, 100k Ohms	18	(650080-22)	(650080-22)	(650080-22)
R18,80,83,86	Resistor 1/4 W, 47k Ohms	4	(650080-14)	(650080-14)	(650080-14)
R95,R17	Resistor 1/4 W, 1k Ohms	2	(650079-73)	(650079-73)	(650079-73)
R23,R85	Resistor 1/4 W, 10 Ohms	2	(650079-25)	(650079-25)	(650079-25)
R25-R31	Resistor 1/4 W, 470 Ohms	7	(650079-65)	(650079-65)	(650079-65)
R24,32,					
98,49,56	Resistor 1/4 W, 150 Ohms	11	(650079-53)	(650079-53)	(650079-53)
R57-60	Resistor 1/4 W, 150 Ohms	4	(650079-53)	(650079-53)	(650079-53)
R61-64	Resistor 1/4 W, 150 Ohms	4	—	(650079-53)	(650079-53)
R65-72	Resistor 1/4 W, 150 Ohms	8	—	(650079-53)	(650079-53)
R33-36	Resistor 1/4 W, 150 Ohms	4	—	—	(650079-53)
R37-40	Resistor 1/4 W, 150 Ohms	4	—	—	(650079-53)
R41-44	Resistor 1/4 W, 150 Ohms	4	—	—	(650079-53)

Note: Part numbers enclosed in brackets () are not available individually, but may be sold in assemblies or kits.

January 1, 2015

Ref	Description	Qty	ESP-12MC	ESP-24MC	ESP-40MC
R45-48	Resistor 1/4 W, 150 Ohms	4	—	—	(650079-53)
R78,79	Resistor 1/4 W, 150 Ohms	2	(650202-73)	(650202-73)	(650202-73)
S7	Switch, Rotary	1	(630609)	(630609)	(630609)
TS1	Trransorb Bi-Directional P6KE6.8	1	(650595-01)	(650595-01)	(650595-01)
U1	Microcomp, Toshiba, OTP	1	(633088)	(633088)	(633088)
U2	Regulator, Low Dropout, L4947H	1	(650962)	(650962)	(650962)
(U2)	Rivet, Blind Dome .125 Dia.	1	(650139-05)	(650139-05)	(650139-05)
(U2)	Washer, flat #5	1	(650023-03)	(650023-03)	(650023-03)
U3	I.C. Quad OP AMP, LM324	1	(650358)	(650358)	(650358)
U4	3-8 Line Decoder, 74HC259	1	(650699)	(650699)	(650699)
U5,U8	8 Bit Addressable Latch, 74HC259	2	(650889)	(650889)	(650889)
U9	8 Bit Addressable Latch, 74HC259	1	(650889)	(650889)	(650889)
U10	8 Bit Addressable Latch, 74HC259	1	—	(650889)	(650889)
U6	8 Bit Addressable Latch, 74HC259	1	—	—	(650889)
U7	8 Bit Addressable Latch, 74HC259	1	—	—	(650889)
U11	I.C. Real Time Clock, DS1302	1	(651011)	(651011)	(651011)
U12	I.C. EEPROM-4K Byte Serial	1	(651012)	(651012)	(651012)
U13	I.C. 8 Bit Input Mux	1	(651014)	(651014)	(651014)
B1	Battery, Lithium, 3V	1	(651009)	(651009)	(651009)
(B1)	Holder, Battery	1	(651010)	(651010)	(651010)
Y1	Resonator, Ceramic, 8 Mhz	1	(651013)	(651013)	(651013)
RPF1	Polyswitch, RXE, 60V, .65A	1	(651055-08)	(651055-08)	(651055-08)
R92	Resistor 1/4W, 8.2k Ohms	1	(650079-95)	(650079-95)	(650079-95)
S9	Switch, Slide	1	(651292)	(651292)	(651292)
C26	Capacitor, NPO 220pF, 100V	1	(650883-17)	(650883-17)	(650883-17)
R76	Resistor 1/4W, 2k Ohms	1	(650079-80)	(650079-80)	(650079-80)
LCD1	Liquid Crystal Display	1	(635361)	(635361)	(635361)
(LCD1)	Spacer, LCD	1	(635339)	(635339)	(635339)
J3	Header, Right Angle .100 Centers	1	(650530-07)	(650530-07)	(650530-07)
J1	Transition Socket, 10 Pins	1	(651607)	(651607)	(651607)
S8	Toggle Switch	1	(651606)	(651606)	(651606)
P1	Ribbon Cable Assembly	1	(635621)	(635621)	(635621)
U14	Crystal Osc. SMT Quartz, 32.768Khz1	(651665)	(651665)	(651665)	(651665)
59	Terminal PWB Assy ESP-MC		(636015-02)	(636015-04)	(636015-06)
LP43	MOV 50V, 2500A	1	(651272)	(651272)	(651272)
C1-8,41,42	Capacitor .01uF, 100V	10	(650882-01)	(650882-01)	(650882-01)
C9-C12	Capacitor .01uF, 100V	4	(650882-01)	(650882-01)	(650882-01)
C13-16	Capacitor .01uF, 100V	4	—	(650882-01)	(650882-01)
C17-24	Capacitor .01uF, 100V	8	—	(650882-01)	(650882-01)
C25-28	Capacitor .01uF, 100V	4	—	—	(650882-01)
C29-32	Capacitor .01uF, 100V	4	—	—	(650882-01)
C33-36	Capacitor .01uF, 100V	4	—	—	(650882-01)
C37-40	Capacitor .01uF, 100V	4	—	—	(650882-01)
L1-8,41,42,43	Inductor, 22uH, 1.28A	11	(635771-10)	(635771-10)	(635771-10)
L9-12	Inductor, 22uH, 1.28A	4	(635771-10)	(635771-10)	(635771-10)
L13-16	Inductor, 22uH, 1.28A	4	—	(635771-10)	(635771-10)
L17-24	Inductor, 22uH, 1.28A	8	—	(635771-10)	(635771-10)
L25-28	Inductor, 22uH, 1.28A	4	—	—	(635771-10)
L29-32	Inductor, 22uH, 1.28A	4	—	—	(635771-10)
L33-36	Inductor, 22uH, 1.28A	4	—	—	(635771-10)
L37-40	Inductor, 22uH, 1.28A	4	—	—	(635771-10)

Note: Part numbers enclosed in brackets () are not available individually, but may be sold in assemblies or kits.

January 1, 2015



Ref	Description	Qty	ESP-12MC	ESP-24MC	ESP-40MC
LP1,8,41,42	Mov, 50V, 2500A	10	(651272)	(651272)	(651272)
LP9-12	Mov, 50V, 2500A	4	(651272)	(651272)	(651272)
LP13-16	Mov, 50V, 2500A	4	—	(651272)	(651272)
LP17-24	Mov, 50V, 2500A	8	—	(651272)	(651272)
LP25-28	Mov, 50V, 2500A	4	—	—	(651272)
LP29-32	Mov, 50V, 2500A	4	—	—	(651272)
LP33-36	Mov, 50V, 2500A	4	—	—	(651272)
LP37-40	Mov, 50V, 2500A	4	—	—	(651272)
LP44	Mov, 47V, 1000A	1	(650875)	(650875)	(650875)
LP45-47	Mov, 56V, 1000A	2	(624624)	(624624)	(624624)
Q1-8,41,42	Triac, 6A	10	(651138)	(651138)	(651138)
Q9-12	Triac, 6A	4	(651138)	(651138)	(651138)
Q13-16	Triac, 6A	4	—	(651138)	(651138)
Q17-24	Triac, 6A	8	—	(651138)	(651138)
Q25-28	Triac, 6A	4	—	—	(651138)
Q29-32	Triac, 6A	4	—	—	(651138)
Q33-36	Triac, 6A	4	—	—	(651138)
Q37-40	Triac, 6A	4	—	—	(651138)
R1	Resistor, 2W, .1 Ohms	1	(650766-01)	(650766-01)	(650766-01)
J1	Header, Polzd. .100 Centers	1	(650872-50)	(650872-50)	(650872-50)
TB1-TB2	Terminal Block, .300 SPC, 1 POS	16	(651000-01)	(651000-01)	(651000-01)
TB3	Terminal Block, .300 SPC, 1 POS	8	(651000-01)	(651000-01)	(651000-01)
TB4	Terminal Block, .300 SPC, 1 POS	8	—	(651000-01)	(651000-01)
TB5	Terminal Block, .300 SPC, 1 POS	8	—	—	(651000-01)
TB6	Terminal Block, .300 SPC, 1 POS	8	—	—	(651000-01)
(F1)	Fuse Clip (120 V)	2	(650098)	(650098)	(650098)
F1	Fuse, Slow Blow, 120 V, 2.5 Amp	1	(650431-28)	(650431-28)	(650431-28)
(F1)	Fuse Clip (220 V)	2	(651515)	(651515)	(651515)
F1	Fuse, Slow Blow, 220 V, 2.5 Amp	1	(650966-14)	(650966-14)	(650966-14)
GT1-4,21,22	Gas Tube, 300V, 20kA	6	(651427)	(651427)	(651427)
GT5-6	Gas Tube, 300V, 20kA	2	(651427)	(651427)	(651427)
GT7-8	Gas Tube, 300V, 20kA	2	—	(651427)	(651427)
GT9-12	Gas Tube, 300V, 20kA	4	—	(651427)	(651427)
GT13-14	Gas Tube, 300V, 20kA	2	—	—	(651427)
GT15-16	Gas Tube, 300V, 20kA	2	—	—	(651427)
GT17-18	Gas Tube, 300V, 20kA	2	—	—	(651427)
GT19-20	Gas Tube, 300V, 20kA	2	—	—	(651427)
LP46	Mov, 35V, 1000A	2	(624624)	(624624)	(624624)
J2	Header, Snap-in Pegs, 2 Pin	1	(651491-02)	(651491-02)	(651491-02)
J7	Header, Snap-in Pegs, 5 Pins	1	(651491-05)	(651491-05)	(651491-05)
J3	Connector, DB-15, Straight	1	(651659)	(651659)	(651659)
J4	Connector, DB-15, Straight	1	—	(651659)	(651659)
J5	Connector, DB-15, Straight	1	—	—	(651659)
J6	Connector, DB-15, Straight	1	—	—	(651659)
60	Sensor Jumper Wire	1	(633442)	(633442)	(633442)
61	Grounding Wire, 12 AWG	1	(634943-11)	(634943-11)	(634943-11)
Accessories ESP-MC					
62	Operation Manual	1	634593	634593	634593
63	Poster Installation Instruc. ESP-MC	1	634529	634529	634529
65	Card, Customer Registration	1	632354	632354	632354
66	Battery Nicad	1	650929	650929	650929
67	Wire Nuts Kit	1	(634613)	(634613)	(634613)
68	Mounting Screw Kit	1	(633182)	(633182)	(633182)
69	Mounting Plate Assy.	1	(635005-02)	(635005-02)	(635005-02)

Note: Part numbers enclosed in brackets () are not available individually, but may be sold in assemblies or kits.

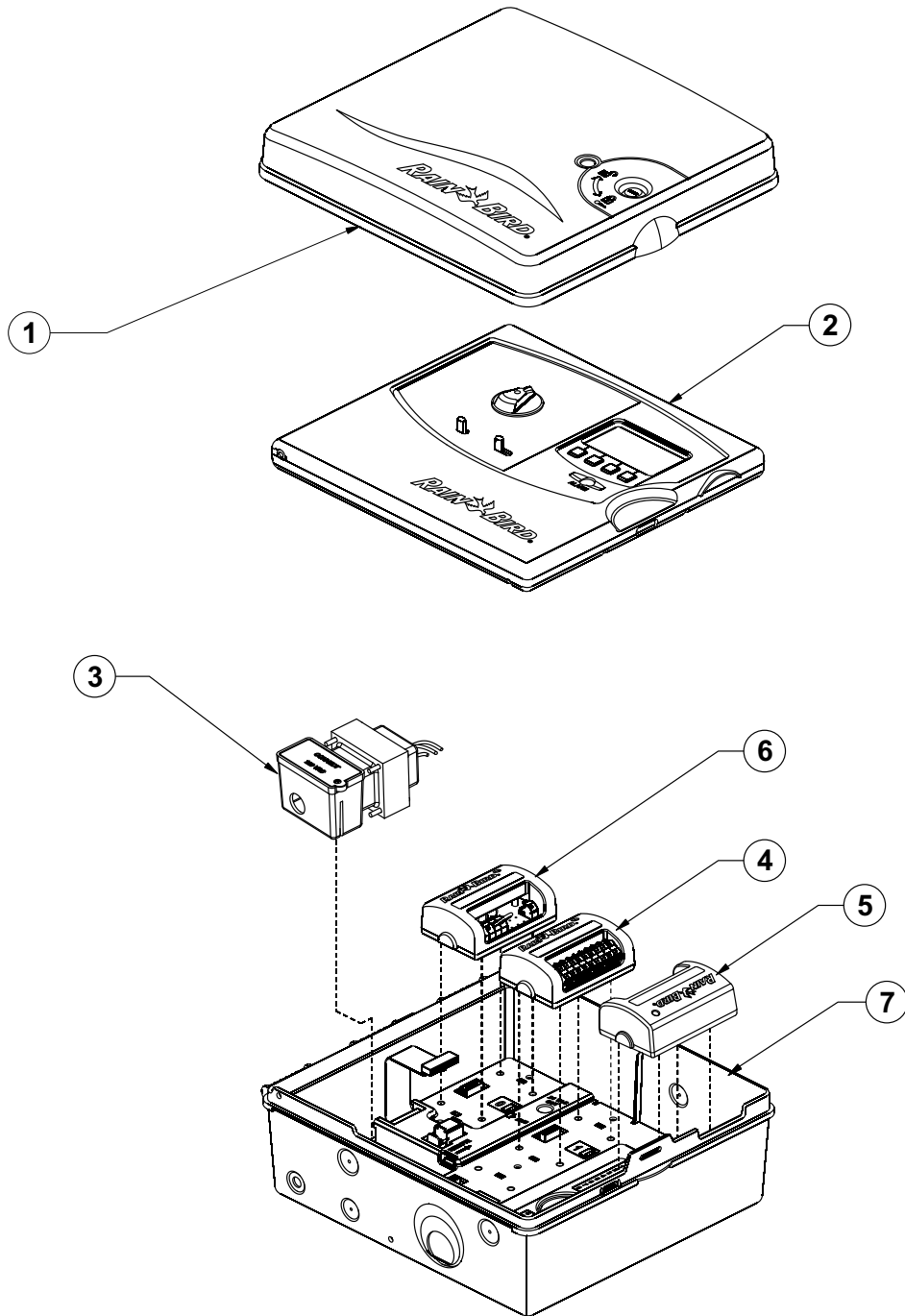
January 1, 2015



Your Irrigation Superstore
Email: irrigate@schumacherirrigation.com
www.schumacherirrigation.com

Toll Free: 800-246-3685

Phone: 402-246-3685
Fax: 402-246-2072



Note: Part numbers enclosed in brackets () are not available individually, but may be sold in assemblies or kits.

January 1, 2015

Ref.	Description	Qty.	ESPLXM	IESPLXM	ESPLXMAUS
			F42100	F42150	F42180
1	Door Assembly	1	636157-010	636157-010	636157-010
-	Hook, Manual Holder	1	(635056)	(635056)	(635056)
-	Door, ESP-LX Modular (indoor)	1	—	—	—
-	Overlay, LED, ESP-LX Modular	1	(636195)	(636195)	(636195)
-	Overlay, Quick Ref. ESP-LX Modular	1	(636283)	(636283)	(636283)
-	Cam, Lock	1	(651656)	(651656)	(651656)
-	Door, ESP-LX Modular Outdoor	1	(636614)	(636614)	(636614)
2	Front Panel Assembly, ESP-LX Modular		F42110	F42110	F42110
-	Front Panel ESP-LX Modular	1	(636158-01)	(636158-01)	(636158-01)
-	Label, Date Code & Serial Number	1	(635600-20)	(635600-20)	(635600-20)
-	Select Knob, ESP-LX Modular	1	(635684)	(635684)	(635684)
-	Slide Switch ACT ESP-LX Modular	2	(635685)	(635685)	(635685)
-	PWB Assy, Main CPU, ESP-LX Modular	1	(636030-010)	(636030-010)	(636030-010)
-	Switch 4 Pos Slide	2	(630651)	(630651)	(630651)
-	Label, Bar Code 39, Date Code	1	(631356-01)	(631356-01)	(631356-01)
-	Retainer Clip, COIN Cell	1	(635535)	(635535)	(635535)
-	PWB FAB, Main CPU, ESP-LX	1	(636031-010)	(636031-010)	(636031-010)
-	Rotary Switch, Gray Code	1	(636285)	(636285)	(636285)
-	Switch, P.B.	4	(650748-01)	(650748-01)	(650748-01)
-	LED, Clear Red Super Bright	1	(650910-R)	(650910-R)	(650910-R)
-	RES 2W 22 OHM 5%	1	(650955-33)	(650955-33)	(650955-33)
-	Battery, Lithium, 3.0 Volts	1	(651009)	(651009)	(651009)
-	Resistor, Surf MT, 100K OHM, 1/10	5	(651129)	(651129)	(651129)
-	Resistor, SMD 1/10W, 0805	9	(651586-14)	(651586-14)	(651586-14)
-	Thick Film Chip Resistor, 0805, 5%	2	(651586-21)	(651586-21)	(651586-21)
-	Thick Film Chip 1K	1	(651586-26)	(651586-26)	(651586-26)
-	Thick Film Chip 10K	14	(651586-37)	(651586-37)	(651586-37)
-	Thick Film Chip Resistor, 0805, 5%	8	(651586-80)	(651586-80)	(651586-80)
-	Multilayer Ceramic Chip	17	(651587-03)	(651587-03)	(651587-03)
-	Resonator, Ceramic, 8SMT	1	(651684)	(651684)	(651684)
-	Resistor 5%, 1/4W SMD, 1206	1	(651686-33)	(651686-33)	(651686-33)
-	Resistor 5% 1/4W SMD 12	1	(651686-89)	(651686-89)	(651686-89)
-	Capacitor, Ceramic Chip, 0805	3	(651708-05)	(651708-05)	(651708-05)
-	Capacitor, Tantalum, SMT 16V	5	(651738-01)	(651738-01)	(651738-01)
-	Capacitor, Tantalum, SMT 16V	4	(651738-03)	(651738-03)	(651738-03)
-	Capacitor, Ceramic Chip, SMD	2	(651739-25)	(651739-25)	(651739-25)
-	Switching Diode, Dual SMT, SOT23	4	(651741)	(651741)	(651741)
-	ZIF, HOR-MNT T-Contact	1	(651742)	(651742)	(651742)
-	Header, Dual, Right Angle, TH	1	(651745-12)	(651745-12)	(651745-12)
-	Resistor, Power, Axial, 1W	1	(651748-15)	(651748-15)	(651748-15)
-	IC, Transparent Latch, SMT	2	(651752)	(651752)	(651752)
-	SRAM 32KB, SOJ-28, IDT71V256SA20	1	(651753)	(651753)	(651753)
-	Decoder 3-8, SO-16, T&R	1	(651754)	(651754)	(651754)
-	NOR Gate, SMT SOIC-14	1	(651755)	(651755)	(651755)
-	Timekeeping Chip, 3.3V	1	(651757)	(651757)	(651757)
-	Transistor, PNP, 600MA	1	(651765)	(651765)	(651765)

Note: Part numbers enclosed in brackets () are not available individually, but may be sold in assemblies or kits.

January 1, 2015

Ref.	Description	Qty.	ESPLXM	IESPLXM	ESPLXMAUS
			F42100	F42150	F42180
-	Tactile Switch, TH-2Pin	1	(651766)	(651766)	(651766)
-	Diode, Rectifier, SMD	3	(651787)	(651787)	(651787)
-	Voltage Regulator, DPAK	1	(651791)	(651791)	(651791)
-	Diode Zener, 1/2W SOD	1	(651794-20)	(651794-20)	(651794-20)
-	Capacitor, Electrolytic, SMD, 35V	1	(651796-10)	(651796-10)	(651796-10)
-	Capacitor, Electrolytic, SMD, 25V	1	(651797-09)	(651797-09)	(651797-09)
-	Cap Tantalum, SMD 6.3V	2	(651875-01)	(651875-01)	(651875-01)
-	Cap Ceramic Chip SMD, 1206, X7R	2	(651876)	(651876)	(651876)
-	Resistor, SMD, 1/10W	1	(51880-50)	(51880-50)	(51880-50)
-	Resistor, SMD, 1/10W	1	(651880-71)	(651880-71)	(651880-71)
-	Thick Film Chip Resistor, 0805, 1%	1	(651882-30)	(651882-30)	(651882-30)
-	Thick Film Chip Resistor, 0805, 1%	2	(651882-38)	(651882-38)	(651882-38)
-	Thick Film Chip Resistor, 0805, 1%	9	(651882-68)	(651882-68)	(651882-68)
-	Thick Film Chip Resistor, 0805, 1%	1	(651883-59)	(651883-59)	(651883-59)
-	Micro-Cntr, SMT TQFP-64	1	(651886)	(651886)	(651886)
-	OPAMP LMV 358, SMT, SOIC-8	1	(651991)	(651991)	(651991)
-	Battery Snap, 9V	1	(651993)	(651993)	(651993)
-	Cap, Ceramic Chip, SMD, 0805 X7R	1	(652001-30)	(652001-30)	(652001-30)
-	Crystal, SMT, 6PF, 32.768Khz	1	(652152)	(652152)	(652152)
-	Inductor, Chip, Multilayer, 0805	1	(652153-04)	(652153-04)	(652153-04)
-	Display Visual Area 82X41 mm	1	(636083)	(636083)	(636083)
-	Panel Top ESP-LX Modular	1	(636146)	(636146)	(636146)
-	Panel, Bottom ESP-LX Modular	1	(636147)	(636147)	(636147)
-	IQ Door	1	(636149)	(636149)	(636149)
-	Lens/Gasket, LCD, ESP-LX Modular	1	(636153)	(636153)	(636153)
-	Keypad, 4 Postions	1	(636155)	(636155)	(636155)
-	Overlay, Main Panel, ESP-LX Modular	1	(636194)	(636194)	(636194)
-	Overlay, LED, ESP-LX Modular	1	(636195)	(636195)	(636195)
-	Screw, SLFTPG, PNH, #4-24.500L	6	(650104-03)	(650104-03)	(650104-03)
-	ESP-LX Modular Hardware Package	1	(636263-01)	(636263-01)	(636263-02)
-	Screw, TRHD Phil, Type A, 1 1/4	4	(651021-16)	(651021-16)	(651021-16)
-	Plastic Anchor 10-12 X 1" ESPM	4	(651393-03)	(651393-03)	(651393-03)
-	Cabinet Assy, ESP-LX Modular	1	(636266-01)	(636266-04)	(636266-03)
3	Transformer Assembly, ESP-LXM	1	637118-010	637118-020	637118-030
-	J-Box	1	(636145)	(636145)	(636145)
-	Transformer, Power, 120Vac	1	(636209)	-	-
-	J-Box Cover	1	(636181-01)	(636181-02)	(636181-03)
-	Transformer, Power, 230Vac	1	-	(636210-02)	(636210-06)
4	8-Station Module, ESP-LX Modular	1	F42210	F42210	F42210
-	PWB Assy, Generic Module, ESP-LXM	1	(636039-010)	(636039-010)	(636039-010)
-	PWB FAB, Generic Module, ESP-LXM	1	(636040-010)	(636040-010)	(636040-010)
-	LED, Clear Red, Super Bright	1	(650910)	(650910)	(650910)
-	Terminal Blk, W/ANG LED Condu.	8	(651000-01)	(651000-01)	(651000-01)
-	Resistor, Surf MT, 100K OHM, 1/10	1	(651129)	(651129)	(651129)
-	Triac, 6AMP, 400V, Isolated Tab	8	(651138)	(651138)	(651138)
-	MOV, 47 V, 1000 A	8	(651467)	(651467)	(651467)

Note: Part numbers enclosed in brackets () are not available individually, but may be sold in assemblies or kits.

January 1, 2015

Ref.	Description	Qty.	ESPLXM	IESPLXM	ESPLXMAUS
			F42100	F42150	F42180
-	Resistor, SMD 1/10W, 0805	8	(651586-14)	(651586-14)	(651586-14)
-	Thick Film Chip Resistor, 0805, 5%	1	(651586-21)	(651586-21)	(651586-21)
-	Thick Film Chip 1K	8	(651586-26)	(651586-26)	(651586-26)
-	Thick Film Chip 1M OHMS	1	(651586-49)	(651586-49)	(651586-49)
-	Resistor 5% 1/4W SMD 12	1	(651686-89)	(651686-89)	(651686-89)
-	Shrouded Header, Low Profile, TH, 2X5	1	(651768-03)	(651768-03)	(651768-03)
-	Schottky Diode, Dual SMT	3	(651786)	(651786)	(651786)
-	Diode, Rectifier, SMD	1	(651787)	(651787)	(651787)
-	Transistor, PNP, 350 MW	1	(651788)	(651788)	(651788)
-	Resistor, SMD, 1/2W	1	(651789-26)	(651789-26)	(651789-26)
-	Resistor, SMD, 1/2W	1	(651789-47)	(651789-47)	(651789-47)
-	8-Bit Micro, TQFP-32	1	(651790)	(651790)	(651790)
-	Voltage Regulator, DPAK	1	(651791)	(651791)	(651791)
-	Diode Zener, 1/2W SOD	1	(651794-20)	(651794-20)	(651794-20)
-	Resonator, Ceramic, 8SMT	1	(651684)	(651684)	(651684)
-	Capacitor, Electrolytic, SMD, 35V	1	(651796-07)	(651796-07)	(651796-07)
-	Capacitor, Electrolytic, SMD, 25V	1	(651797-07)	(651797-07)	(651797-07)
-	Cap Tantalum, SMD 6.3V	1	(651875-01)	(651875-01)	(651875-01)
-	Resistor, SMD, 1/10W	1	(651880-50)	(651880-50)	(651880-50)
-	Resistor, SMD, 1/10W	1	(651880-71)	(651880-71)	(651880-71)
-	Thick Film Chip Resistor, 0805, 1%	7	(651882-01)	(651882-01)	(651882-01)
-	Thick Film Chip 220 ohms	8	(651586-17)	(651586-17)	(651586-17)
-	Thick Film Chip Resistor, 0805, 1%	2	(651883-43)	(651883-43)	(651883-43)
-	TB,0.300 Spc,W/2 ANG LED Conductor,Blk	1	(651994-01)	(651994-01)	(651994-01)
-	Inductor,Radial,High Current(3.9To10,000UH)	8	(652032-18)	(652032-18)	(652032-18)
-	Inductor, Chip, Multilayer, 0805	1	(652153-040)	(652153-040)	(652153-040)
-	Transistor, N-Channel Mosfet, SOT23	2	(652168-010)	(652168-010)	(652168-010)
-	Capacitor, Softterm, 0805, X7R	7	(652288-370)	(652288-370)	(652288-370)
-	Capacitor, Softterm, 0805, X7R	3	(652289-250)	(652289-250)	(652289-250)
5	4-Station Module, ESP-LX Modular	1	F42200	F42200	F42200
-	PWB Assy, Generic Module, ESP-LXM	1	(636039-010)	(636039-010)	(636039-010)
-	PWB FAB, Generic Module, ESP-LXM	1	(636040-010)	(636040-010)	(636040-010)
-	LED, Clear Red, Super Bright	1	(650910)	(650910)	(650910)
-	Terminal Blk, W/ANG LED Condu.	4	(651000-01)	(651000-01)	(651000-01)
-	Resistor, Surf MT, 100K OHM, 1/10	1	(651129)	(651129)	(651129)
-	Triac, 6AMP, 400V, Isolated Tab	4	(651138)	(651138)	(651138)
-	MOV, 47 V, 1000 A	4	(651467)	(651467)	(651467)
-	Capacitor, Ceramic Chip, SMD	3	(651739-25)	(651739-25)	(651739-25)
-	Resistor, SMD 1/10W, 0805	8	(651586-14)	(651586-14)	(651586-14)
-	Thick Film Chip Resistor, 0805, 5%	1	(651586-21)	(651586-21)	(651586-21)
-	Thick Film Chip 220 ohms	4	(651586-17)	(651586-17)	(651586-17)
-	Thick Film Chip 1K	4	(651586-26)	(651586-26)	(651586-26)
-	Thick Film Chip 1M OHMS	1	(651586-49)	(651586-49)	(651586-49)
-	Multilayer Ceramic Chip	7	(651587-03)	(651587-03)	(651587-03)
-	Resistor 5% 1/4W SMD 12	1	(651686-89)	(651686-89)	(651686-89)
-	Shrouded Header, Low Profile, TH, 2X5	1	(651768-03)	(651768-03)	(651768-03)

Note: Part numbers enclosed in brackets () are not available individually, but may be sold in assemblies or kits.

January 1, 2015

Ref.	Description	Qty.	ESPLXM	IESPLXM	ESPLXMAUS
			F42100	F42150	F42180
-	Schottky Diode, Dual SMT	3	(651786)	(651786)	(651786)
-	Diode, Rectifier, SMD	1	(651787)	(651787)	(651787)
-	Transistor, PNP, 350 MW	1	(651788)	(651788)	(651788)
-	Resistor, SMD, 1/2W	1	(651789-26)	(651789-26)	(651789-26)
-	Resistor, SMD, 1/2W	1	(651789-47)	(651789-47)	(651789-47)
-	8-Bit Micro, TQFP-32	1	(651790)	(651790)	(651790)
-	Voltage Regulator, DPAK	1	(651791)	(651791)	(651791)
-	Diode Zener, 1/2W SOD	1	(651794-20)	(651794-20)	(651794-20)
-	Resonator, Ceramic, 8SMT	1	(651684)	(651684)	(651684)
-	Capacitor, Electrolytic, SMD, 35V	1	(651796-07)	(651796-07)	(651796-07)
-	Capacitor, Electrolytic, SMD, 25V	1	(651797-07)	(651797-07)	(651797-07)
-	Cap Tantalum, SMD 6.3V	1	(651875-01)	(651875-01)	(651875-01)
-	Resistor, SMD, 1/10W	1	(651880-50)	(651880-50)	(651880-50)
-	Resistor, SMD, 1/10W	1	(651880-71)	(651880-71)	(651880-71)
-	Thick Film Chip Resistor, 0805, 1%	7	(651882-01)	(651882-01)	(651882-01)
-	Thick Film Chip Resistor, 0805, 1%	2	(651883-43)	(651883-43)	(651883-43)
-	TB,0.300 Spc,W/2 Ang Led Conductor, Black	1	(651994-01)	(651994-01)	(651994-01)
-	Inductor, Chip, Multilayer, 0805	1	(652153-040)	(652153-040)	(652153-040)
-	Transistor, N-Channel Mosfet, SOT23	2	(652168-010)	(652168-010)	(652168-010)
-	Capacitor, Softterm, 0805, X7R	7	(652288-370)	(652288-370)	(652288-370)
6	Module Assy, Base, ESP-LX Modular	1	636161-010	636161-010	636161-010
-	Sensor, Jumper Wire-E-Class	1	(633574)	(633574)	(633574)
-	PWB Assy, Module 0, ESP-LX Modular	1	(636036-010)	(636036-010)	(636036-010)
-	PWB FAB, Module 0, ESP-LX Modular	1	(636037-010)	(636037-010)	(636037-010)
-	LED, Clear Red Super Bright	1	(650910)	(650910)	(650910)
-	Polyswitch, RXE Series	1	(651055-08)	(651055-08)	(651055-08)
-	Resistor, Surf MT, 100K OHM, 1/10	1	(651129)	(651129)	(651129)
-	Triac, 6AMP, 400V, Isolated Tab	1	(651138)	(651138)	(651138)
-	MOV, 47 V, 1000 A THK<0.15"	3	(651467)	(651467)	(651467)
-	Resistor, SMD, 1/10W	1	(651586-10)	(651586-10)	(651586-10)
-	Thick Film Chip Resistor, 0805, 5%	1	(651586-21)	(651586-21)	(651586-21)
-	Thick Film Chip 1K	1	(651586-26)	(651586-26)	(651586-26)
-	Thick Film Chip 10K	1	(651586-37)	(651586-37)	(651586-37)
-	Thick Film Chip RES 1/2	2	(651614-26)	(651614-26)	(651614-26)
-	Cap. Ceramic Chip, SMD	2	(651739-25)	(651739-25)	(651739-25)
-	Switching Diode, Dual SMT, SOT23	1	(651741)	(651741)	(651741)
-	Receptacle, TH, 2X5	1	(651771-03)	(651771-03)	(651771-03)
-	TB, 0.300 Spc, W/1 ANG LED Conductor	1	(651772-01)	(651772-01)	(651772-01)
-	Transistor, PNP, 350 MW	1	(651788)	(651788)	(651788)
-	Diode Zener, 1/2W SOD	1	(651794-24)	(651794-24)	(651794-24)
-	Cap Tantalum, SMD 6.3V	1	(651875-01)	(651875-01)	(651875-01)
-	TB,0.300 Spc,W/1 Ang Led Conductor,Black	1	(651995-01)	(651995-01)	(651995-01)
-	Inductor,Radial,High Current(3.9-10,000UH)	2	(652032-18)	(652032-18)	(652032-18)
-	Module Top, ESP-LX Modular	1	(636150-010)	(636150-010)	(636150-010)
-	Module Bottom, ESP-LX Modular	1	(636151-010)	(636151-010)	(636151-010)
-	ID Strip, Module, ESP-LX M (Light Gray)	1	(636152-010)	(636152-010)	(636152-010)

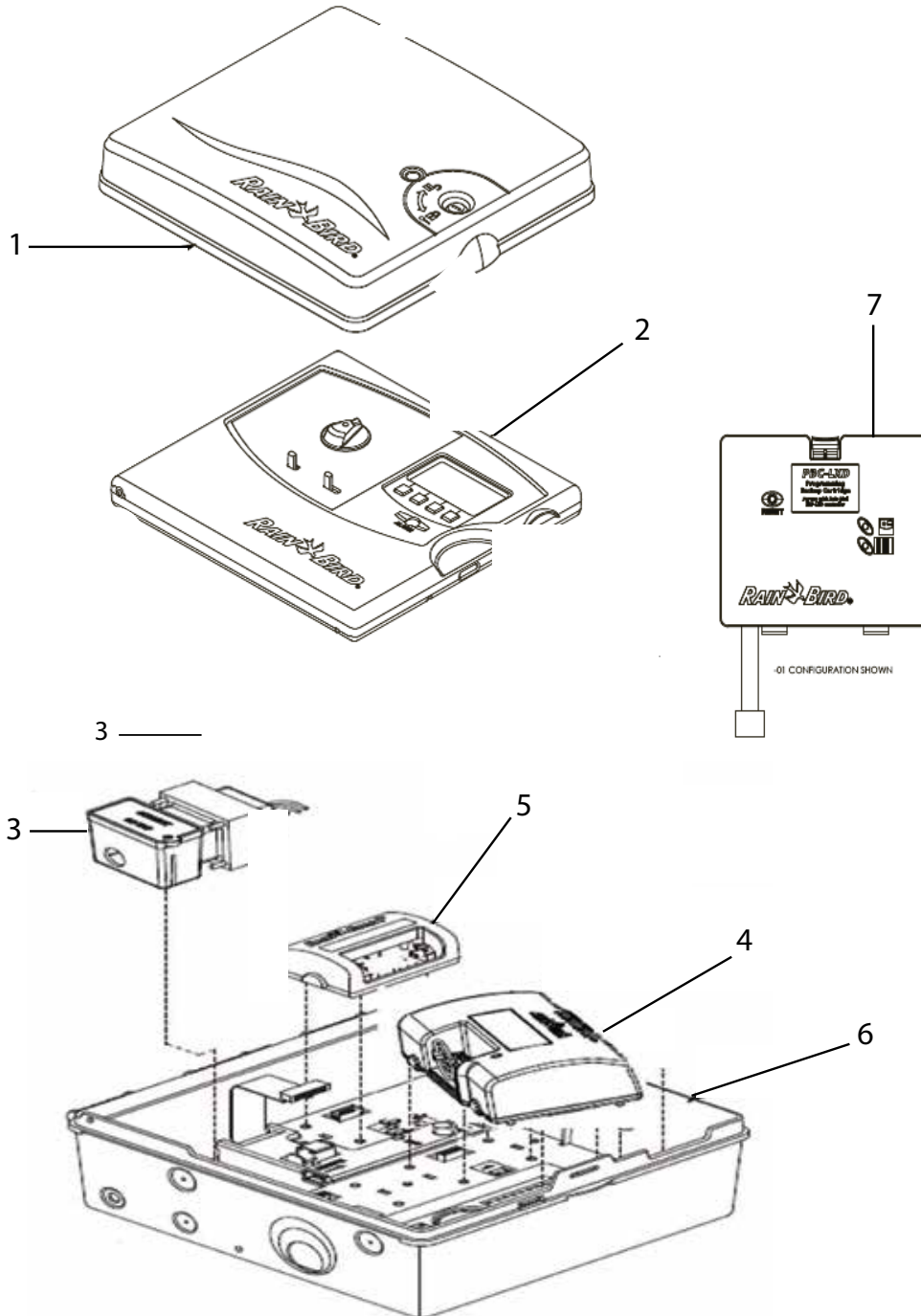
Note: Part numbers enclosed in brackets () are not available individually, but may be sold in assemblies or kits.

January 1, 2015

Ref.	Description	Qty.	ESPLXM	IESPLXM	ESPLXMAUS
			F42100	F42150	F42180
-	Button Module ESP-LX M	2	(636180-010)	(636180-010)	(636180-010)
-	Screw, SLFTPG, PNH, #4-24, 500L	2	(650104-03)	(650104-03)	(650104-03)
7	Rear Housing Assy, ESP-LXM	1	(636267-020)	(636267-010)	(636267-010)
-	PWB Assembly Backplane ESP-LXM	1	(636033-010)	(636033-010)	(636033-010)
-	PWB FAB, Backplane, ESP-LXM	1	(636034-010)	(636034-010)	(636034-010)
-	Harness, Flat Cable 24 POS	1	(636089)	(636089)	(636089)
-	Terminal Block W/Protection, 3-Position	1	(636817-010)	(636817-010)	(636817-010)
-	Wire, A.I.	20	(650625-03)	(650625-03)	(650625-03)
-	RES, Metal Oxide .10HM 2W 2%	1	(650766-01)	(650766-01)	(650766-01)
-	Cap, .01 UF 100V	2	(650882-01)	(650882-01)	(650882-01)
-	Resistor, 1/4W, 1%, Metal	1	(650983-32)	(650983-32)	(650983-32)
-	Resistor, 1/4W, 1%, Metal	1	(650983-52)	(650983-52)	(650983-52)
-	Resistor, 1/4W, 1%, Metal	1	(650983-70)	(650983-70)	(650983-70)
-	Resistor, 1/4W, 1%, Metal	1	(650983-87)	(650983-87)	(650983-87)
-	Polyswitch, RXE Series	1	(651055-08)	(651055-08)	(651055-08)
-	Polyswitch, RXE Series	1	(651055-16)	(651055-16)	(651055-16)
-	MOV, 50 Vac, 2500 A, 10 mm	1	(651272)	(651272)	(651272)
-	Single Terminal Blck Rising CL	1	(651327)	(651327)	(651327)
-	MOV, 47 V, 1000 A THK<0.15"	1	(651467)	(651467)	(651467)
-	Header Right Angle Lock	1	(651630-05)	(651630-05)	(651630-05)
-	Shrouded Header, Low Profile, TH, 2X5	1	(651768-03)	(651768-03)	(651768-03)
-	Receptacle, TH, 2X5	4	(651771-03)	(651771-03)	(651771-03)
-	Conector, 3mm, Header W/Clips, Dual, V, Lf	1	(652191-05)	(652191-05)	(652191-05)
-	Housing, Rear, ESP-LX Modular (Indoor)	1	—	—	—
-	Backplane Cover, ESP-LX Modular	1	(636148-010)	(636148-010)	(636148-010)
-	Screw, SLFTPG, PNH, #4-24, 500L	8	(650104-03)	(650104-03)	(650104-03)
-	Screw, SLFTPG, PNH, #4-24, 500L	2	(650104-03)	(650104-03)	(650104-03)
-	Screw PHL PNH Hi-Lo 6-19X3/8	1	(650183-46)	(650183-46)	—
-	Wire Nut 22-14, E-Class	3	—	—	—
Accessories					
	Programming Chart, Eng/Span	1	636282		
	Manual, Eng/Span	1	636281-010		
	Quick Reference Guide, Eng/Span	1	(636283-010)		

Note: Part numbers enclosed in brackets () are not available individually, but may be sold in assemblies or kits.

January 1, 2015



Note: Part numbers enclosed in brackets () are not available individually, but may be sold in assemblies or kits.

January 1, 2015

Ref.	Part Description	QTY	ESPLXD	IESPLXD	IESPLXDEU	IESPLXDA
			F43100	F43110	F43120	F43130
1	Door Assembly, LXD (English)	1	(636157-05)	(636157-05)	(636157-03)	(636157-05)
2	Front Panel Assembly, LXD	1	F43180	(637798-04)	(637798-04)	(637798-04)
3	Transformer Assembly, ESP-LXD	1	637118010S	637118020S	637118020S	637118030S
4	Decoder Module, ESP-LXD	1	F43170	F43170	F43170	F43170
5	SM75, Moduel Assembly, ESP-LXD	1	F43150	F43150	F43150	F43150
6	Rear Housing Assembly, ESP-LXM (No Transformer)	1	(636267-01)	(636267-01)	(636267-01)	(636267-01)
7	PBC, Module Assembly, ESP-LXD	1	F43200	F43200	F43200	F43200

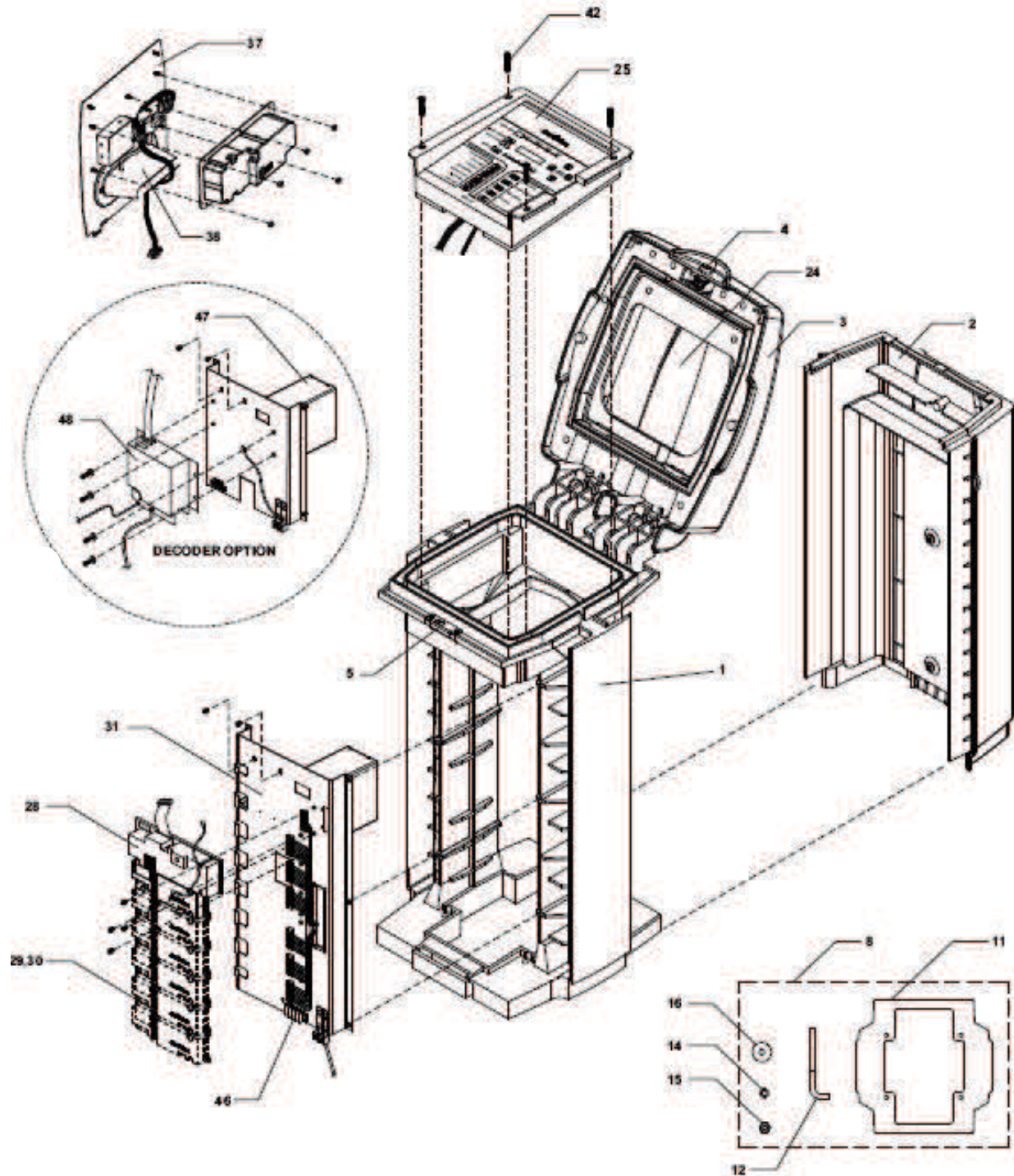
ACCESSORIES

ESP-LXD Controller Literature Envelope, English	D39892	D39892	D39892	D39892
ESP-LXD Controller Literature Envelope, Spanish	D39893	D39893	D39893	D39893
ESP-LXD Controller Literature Envelope, French	D39894	D39894	D39894	D39894
ESP-LXD Controller Literature Envelope, German	D39895	D39895	D39895	D39895
ESP-LXD Controller Literature Envelope, Portuguese	D39896	D39896	D39896	D39896
ESP-LXD Controller Literature Envelope, Italian	D39897	D39897	D39897	D39897

Note: Part numbers enclosed in brackets () are not available individually, but may be sold in assemblies or kits.

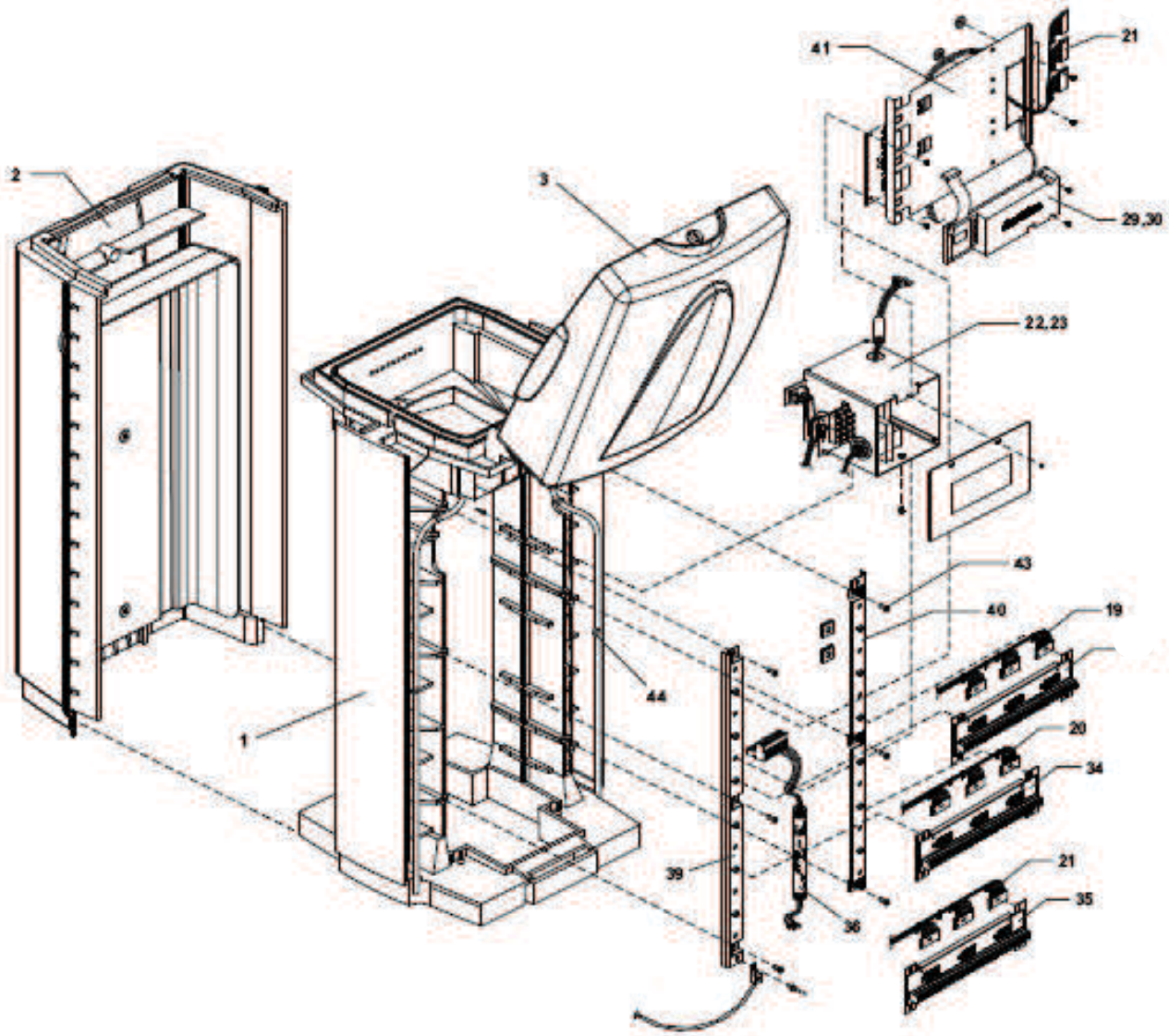
January 1, 2015

CONTROLLER ASSEMBLY WITH PEDESTAL (PAR+ES)



Note: Part numbers enclosed in brackets () are not available individually, but may be sold in assemblies or kits.

January 1, 2015



Note: Part numbers enclosed in brackets () are not available individually, but may be sold in assemblies or kits.

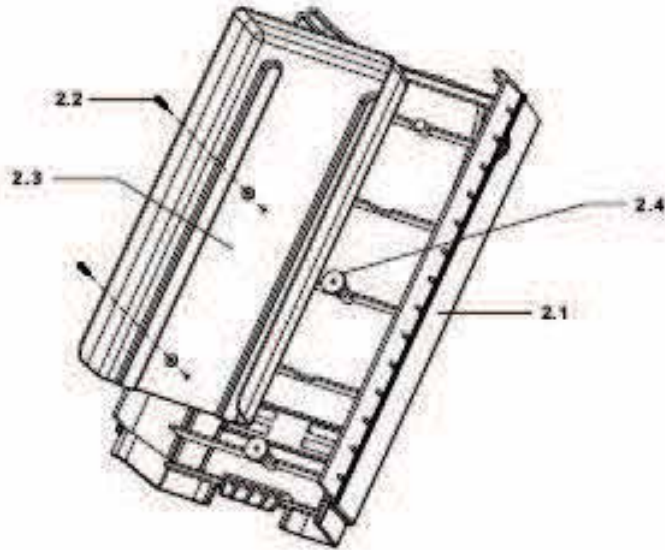
January 1, 2015

CONTROLLER ASSEMBLY WITH PEDESTAL (PAR+ES)

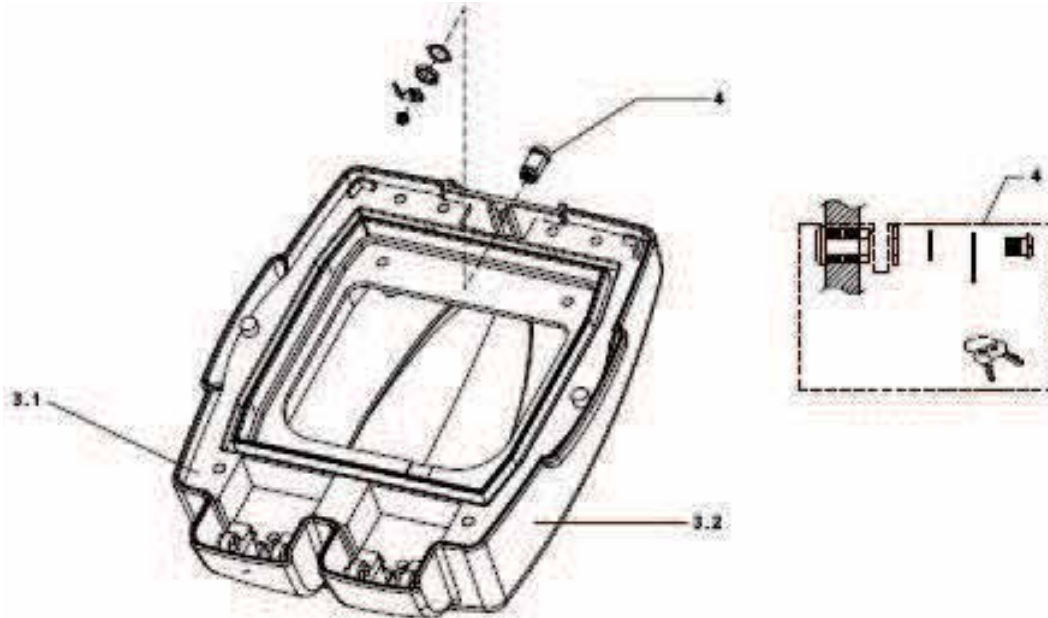
Ref.	Part Description	Qty.	PAR+ES
1	PLASTIC PEDESTAL SUB-ASSY, RP GRAY	1	H44011
2	Door RP Sub-Assy RP	2	(636719-02)
3	LID RP Sub-Assy	1	(636718-02)
4	Lock, Notched Cam	1	636709
5	Plate, Lock, SST	1	(636743)
6	Bracket, Hinge, SST. Left	1	(635470-01)
7	Bracket, Hinge, SST. Right	1	(635470-02)
8	PEDESTAL MOUNTING KIT	1	635780
9	Bag, Poly 6 X 8	1	(601846)
10	Bag, Poly 15 X 24	1	(632308-01)
11	Mounting Template	1	(635233)
12	Anchor Bolt	4	(635258-02)
13	Label, Bolt. PPED, Template	1	(635824)
14	Washer 5/16 Lock-Spring	4	(650029-07)
15	Nut, Hex 5/16	8	(650033-07)
16	Washer Flat 5/16 Type B	4	(652181)
17	MANUAL, INSTALLATION PAR+ES	1	635778
18	MANUAL, OPERATION PAR+ES	1	635777
19	HARNESS ASSY TERMINAL BOARD STA 1-24	1	H60331
20	HARNESS ASSY TERMINAL BOARD STA 25-48	1	H60341
21	HARNESS ASSY TERMINAL BOARD STA 49-72	1	H60351
22	POWER SUPPLY SUBASSY, PAR+/MSC+	1	635224-01
23	POWER SUPPLY SUBASSY, PAR+/MSC+ LINK	1	635224-02
24	Label, Instruction PART+ES	1	(635704)
25	CONTROL MODULE ASSY, PAR+	1	635711-02
26	MAXI I/F MODULE, TWO WIRE		H44500
27	MAXI I/F MODULE, LINK		H44550
28	INTERCONNECT/PWR SUP SUB-ASSY	1	633226-03
29	ASSY, OSM PAR/MSC+	2-9	HA0100
30	ASSY, OSM PAR/MSC+ /W SW	2-9	HA0200
31	Plate, OSM Sub-Assy	1	(635225-02)
32	Bezel Plastic Sub-Assy	1	(635229)
33	BRACKET-BOARD ASSY, STA 1-24	1	H60311
34	BRACKET-BOARD ASSY, STA 25-48	1	H60321
35	BRACKET-BOARD ASSY, STA 49-72	1	H60361
36	TWO-WIRE PIPE SUB-ASSY	1	D02110
37	ANTENNA PANEL ASSY	1	H41006
38	ANTENNA 450-470MHz	1	H60140
39	Rail Mounting Left Steel	1	(635540)
40	Rail Mounting Right Steel	1	(635541)
41	PAR+ES UPGRADE KIT	1	HP5050
42	Screw #10-16PN HD	4	(652188-20)
43	Screw, Phillips PNH	14	(652188-48)
44	Twist Lock	2	(651567)
45	Tubing, Rubber 5/8"	2	(636647-01)
46	Terminal Block Two-Wire	1	(651501)
47	DIB BRACKET ASSY	1	(635867)
48	DECODER INTERFACE BOARD (DIB)	1	636104

Note: Part numbers enclosed in brackets () are not available individually, but may be sold in assemblies or kits.

January 1, 2015



Ref.	Part Description	Qty.	PAR+ES
2	DOOR RP SUB-ASSY RP		636719
2.1	Door, Plastic Pedestal	1	(636719-02)
2.2	Screw	2	(652281-010)
2.3	Inner Door Shield		(636939-010)
2.4	Inner Door Spacer		(636940-010)

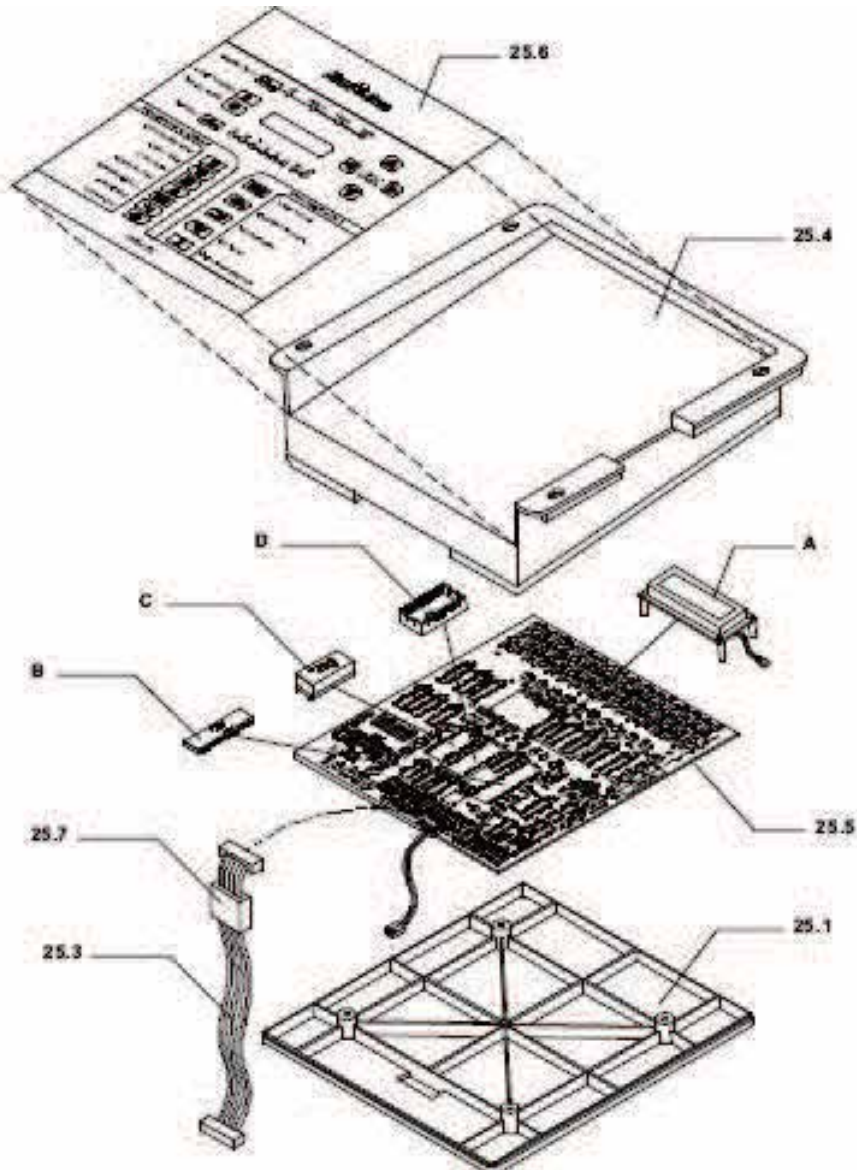


Ref.	Part Description	Qty.	PAR+ES
3	LID RP SUB-ASSY		
3.1	Lid, Inner, Plastic Pedestal	1	(636717-02)
3.2	Lid, Outer, Plastic Pedestal	1	(636718-02)
4	Lock, Notched Cam	1	(636709)

Note: Part numbers enclosed in brackets () are not available individually, but may be sold in assemblies or kits.

January 1, 2015

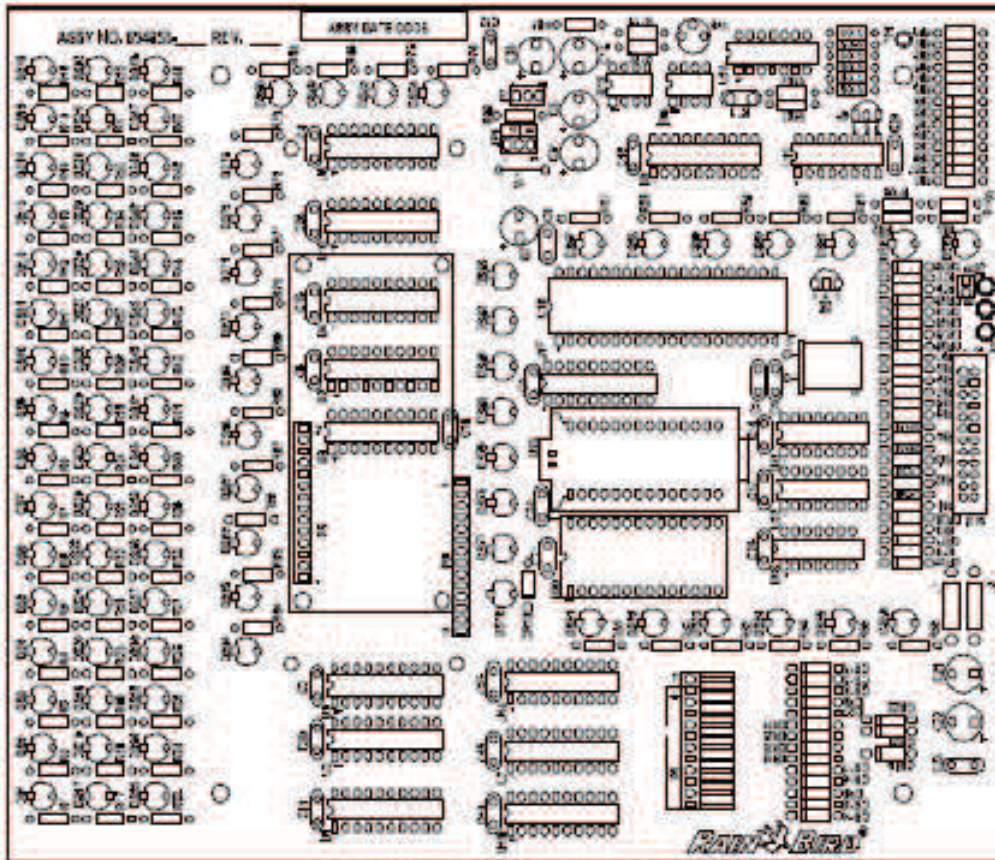
CONTROLLER ASSEMBLY WITH PEDESTAL (PAR+ES)



Ref.	Part Description	Qty.	PAR+ES
25	CONTROL MODULE ASSY, PAR+ES		635711-01
25.1	Assy, Cont. Mod cover PAR+/MSC+	1	(634888-03)
25.2	Screw 7-19X1/2 Hilo RC-7	4	(622922)
25.3	Harness Assy, Cable-PAR/MSC+	1	633176
25.4	Panel, Front-PAR/MSC+	1	(633201)
25.5	PAR+ES PWB Assy Main Logic Board	1	(634955-05)
A	LCD Backlight Assy PAR+/PAR+ES	1	635308
B	IC, Microcontroller, 80C32	1	651031
C	IC, Clock and 64K Ram, DS1243Y	1	650718
D	Soket IC Carrier 2 28PIN	1	650622-10
25.6	Overlay, Membrane Switch, PAR+ES	1	635706
25.7	Ferrite, Flat Cable Snap-It	1	(651612)

Note: Part numbers enclosed in brackets () are not available individually, but may be sold in assemblies or kits.

January 1, 2015



Ref.	Part Description	Qty.	PAR+ES
25.5	MAIN LOGIC PWB ASSEMBLY PAR+ES		634955-05
P3	Harness Assy Plug F/P Light	1	(635152)
(P5)	LCD Backlight Assy, PAR+	1	635308
U23	S/W M/Assy, M/L BRD V10	1	(635708)
C1, C2	Capacitor CER Disc, 50V (MIN)1PFT08200	2	(650012-15)
C25-29, 12, 29, 23, 24	Capacitor CER 0.1MF 50V	14	650013-45
CR7-13	Diode IN4148	7	650037-01
CR14-38, CR1-6	Diode Zener 1N5231B 5.1V	31	(650038-70)
R92	Resistor 1/4W 10% 4.7 OHM	1	(650079-17)
R108	Resistor 1/4W 10% 100 OHM	1	650079-49
R109	Resistor 1/4W 10% 220 OHM	1	(650079-57)
R93-98, R78-84, R86-91	Resistor 1/4W 10% 330 OHM	19	(650079-61)
R64-75	Resistor 1/4W 10% 560 OHM	12	(650079-67)
R77, R85	Resistor 1/4W 10% 2.7 K	2	(650079-83)
R99	Resistor 1/4W 10% 4.7 K	1	650079-89
R105	Resistor 1/4W 10% 5.6 K	1	(650079-91)
R100-104	Resistor 1/4W 10% 10 K	5	(650079-97)
R106	Resistor 1/4W 10% 22 K	1	650080-06
R107	Resistor 1/4W 10% 39 K	1	(650080-12)
R110, 111	Resistor 1/4W 10% 100 K	2	(650080-22)
Q2	Transistor, NPN 600MW PN2222	1	650084

Note: Part numbers enclosed in brackets () are not available individually, but may be sold in assemblies or kits.

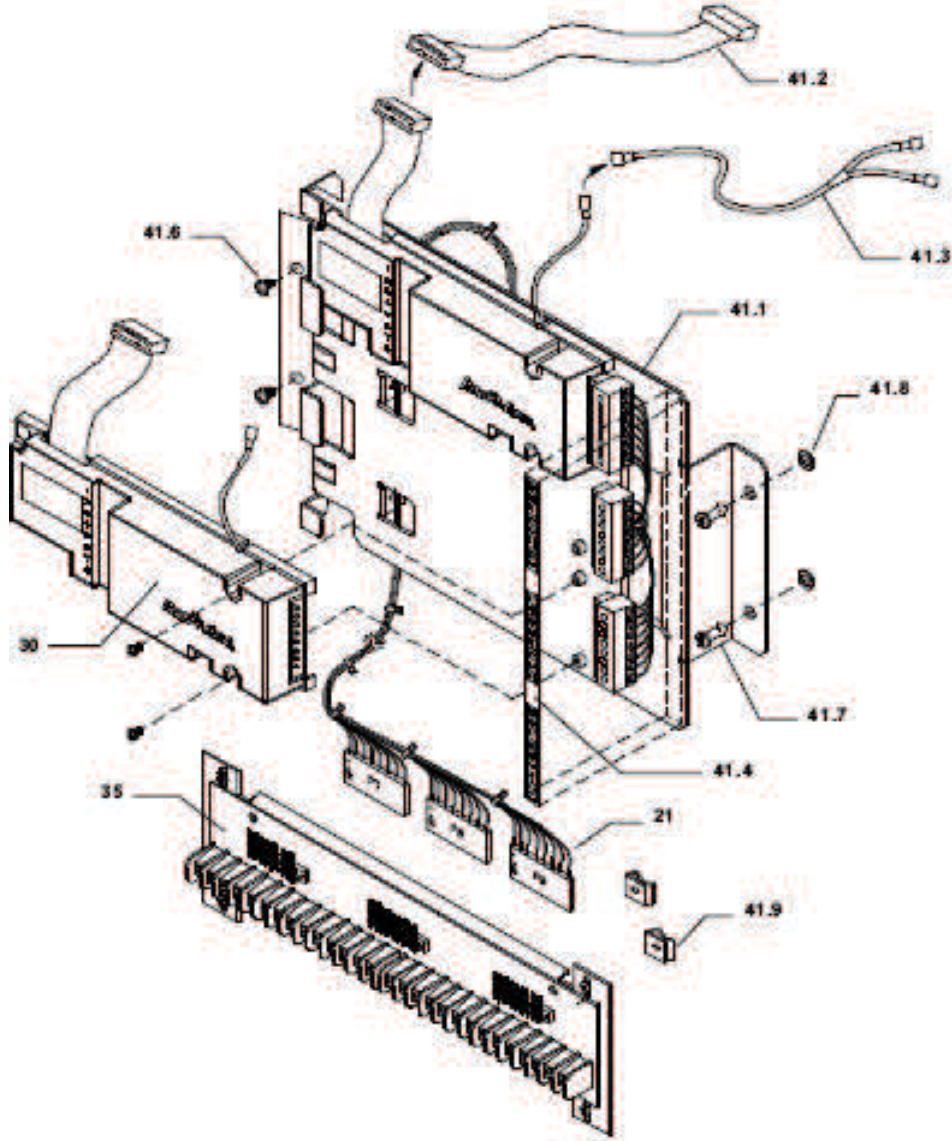
January 1, 2015

CONTROLLER ASSEMBLY WITH PEDESTAL (PAR+ES)

Ref.	Part Description	Qty.	PAR+ES
L1, L2	Inductor Ferrite	2	650300-05
TP1	Terminal Test PT .067-078	1	(650336-01)
U24	IC, Quad OP AMP LM324	1	650358
Q1	Transistor PNP 625 MW	1	650369
P7	Header, 3 Position 1"	1	(650454-03)
(U23)	Socket IC Carrier 28PI	1	650518-02
P1	Header, .100CTRS, 11CKT, FL RTANG	1	(650530-01)
C7, C22	Capacitor 2.2UF 25V Tantalum	2	650583-03
C6, 13, 30, 31	Capacitor 22UF 25V Tantalum	4	650583-09
C21	Capacitor 47.0 UF, 25V, Tantalum	1	(650583-11)
U19	IC Micropower Monitor & WDT	1	650585
U9, 10, 14, 15, 17	IC, 3 State OCT Latch 74HC373	5	650611
U18	IC, Nand 2-IN Quad 74HCOO	1	650612
U21, 22	IC, Decoder 1-of-8 74HC238	2	650613
U20	Socket, DIP, 28POS, Ultra Low Profile	1	650622-10
W1, (Y1)	Wire, A.I.	4	(650625-03)
U11	IC. Decoder 3 to 8 Line DIP16 74HC138	1	650699
U20	IC. Clock and 64K Ram DS1243Y	1	650718
Y1	Crystal, 11.0592 MHZ	1	650721
R76	POT, 100K OHM 1/4" Single Turn	1	(650739-14)
P2	Header, Low Profile 24 POS.	1	(650872-24)
DS76, -83, 65, 67, 69, 71	LED, Clear Red Super Bright	12	650910
P5, P6	Socket, ELEV Term Strip, 14 CKTS	1	(651029-14)
U16	IC, Microcontroller, 80C32	1	651031
RT1	Thermistor, 5%, 6.8K, 3980	1	(651149-06)
U2	IC, Converter DC/DC Volt (LT 1026)	1	(651455)

Note: Part numbers enclosed in brackets () are not available individually, but may be sold in assemblies or kits.

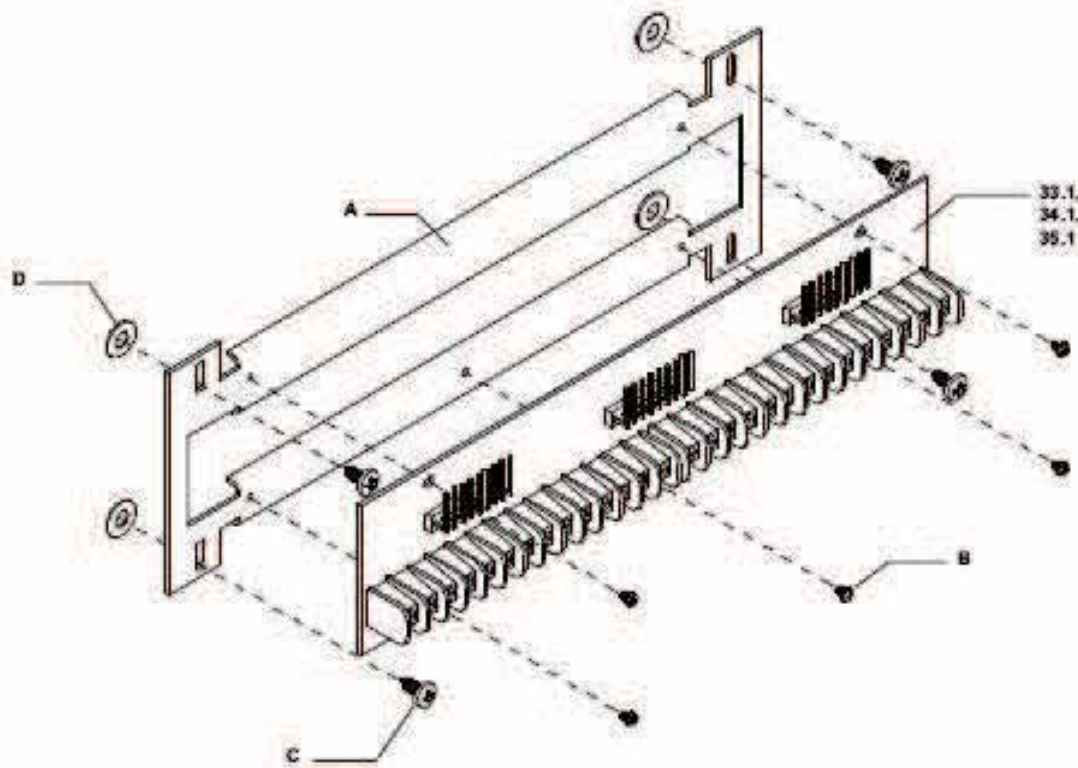
January 1, 2015



Ref.	Part Description	Qty.	PAR+ES
41	PAR+ES UPGRADE KIT		HP5050
41.1	Bracket, Mounting Steel, 72 STA	1	(635542)
41.2	Cable Harness Assy	1	635569
41.3	Cable Assembly, Y	1	635599
41.4	Label, ST I.D., 72 STA	1	(635638)
41.5	Cable Tie, Nylon 7/8 Bundle	2	650131
41.6	Screw, Pan HD, #10 X 1/4"	2	(650754-57)
41.7	Stud Phillips, Oval Steel	2	(651511)
41.8	Retainer, Black Nylon	2	(651512)
41.9	Receptacle, 1/4 Turn Steel	2	(651597)
21	HARNESS ASSY TERMINAL BRD STA 49-72	1	H60351
35	BRACKET-BOARD ASSY STA 49-72	1	H60361

Note: Part numbers enclosed in brackets () are not available individually, but may be sold in assemblies or kits.

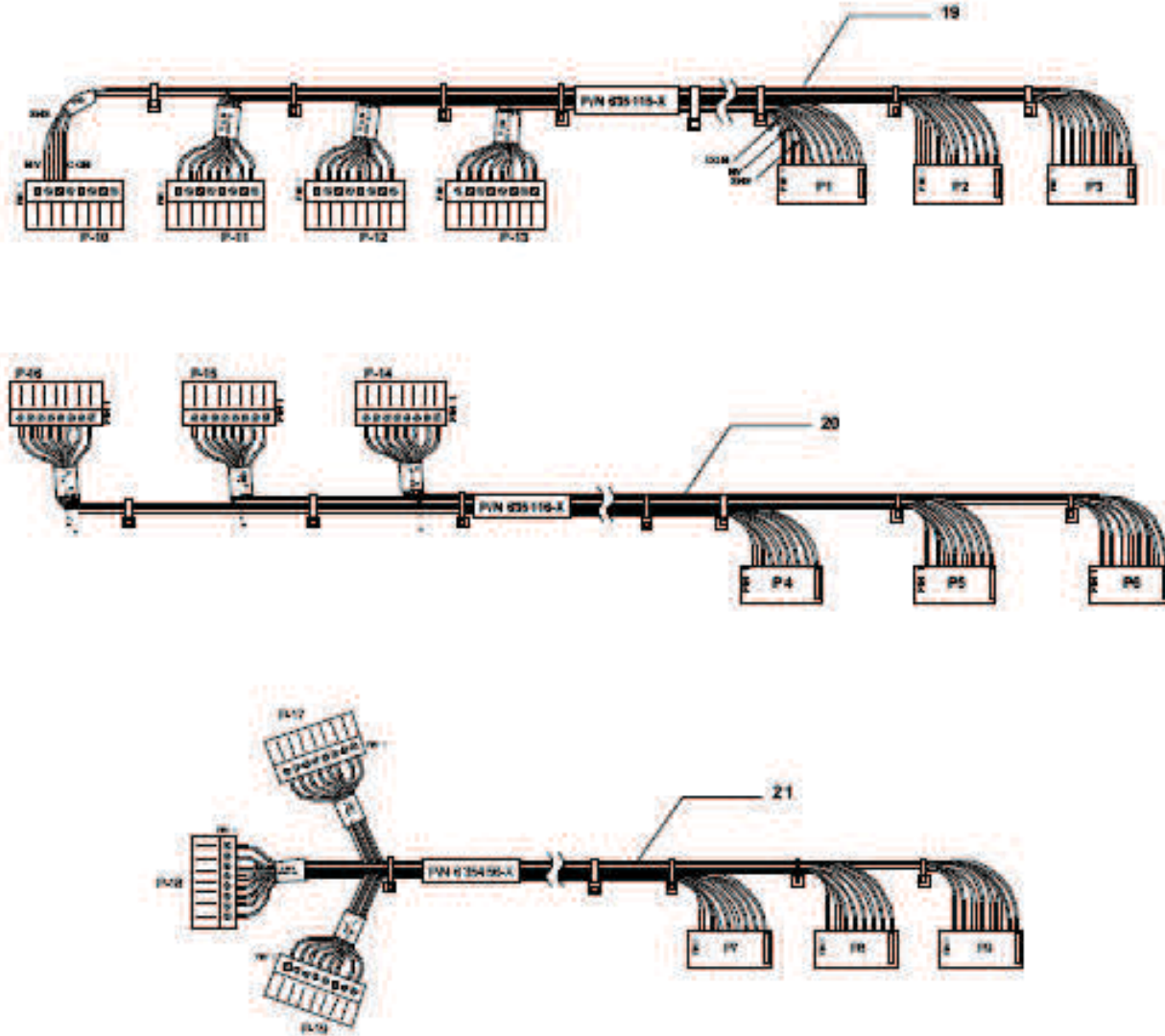
January 1, 2015



Ref.	Part Description	Qty.	PAR+ES
33	TERMINAL BOARD ASSEMBLY STA 1-24		H60311
33.1	PWB Assy PAR+ Term BRD 1-24	1	(635121)
A	Plate, Terminal Strip, STE	1	(635217)
B	Screw 6-32 X 3/8	5	(650105-28)
C	Screw, Captive Panel PAN	4	(651517-06)
D	Washer, Panel Screw Retainer	4	(651518-06)
34	TERMINAL BOARD ASSEMBLY STA 25-48		H60321
34.1	PWB Assy PAR+ Term BRD 25-48	1	(635124)
A	Plate, Terminal Strip, STE	1	(635217)
B	Screw 6-32 X 3/8	5	(650105-28)
C	Screw, Captive Panel PAN	4	(651517-06)
D	Washer, Panel Screw Retainer	4	(651518-06)
35	TERMINAL BOARD ASSEMBLY STA 49-72		H60361
35.1	PWB Assy PAR+ Term Brd 49-72	1	(635560)
A	Plate, Terminal Strip, STE	1	(635217)
B	Screw 6-32 X 3/8	5	(650105-28)
C	Screw, Captive Panel PAN	4	(651517-06)
D	Washer, Panel Screw Retainer	4	(651518-06)

Note: Part numbers enclosed in brackets () are not available individually, but may be sold in assemblies or kits.

January 1, 2015

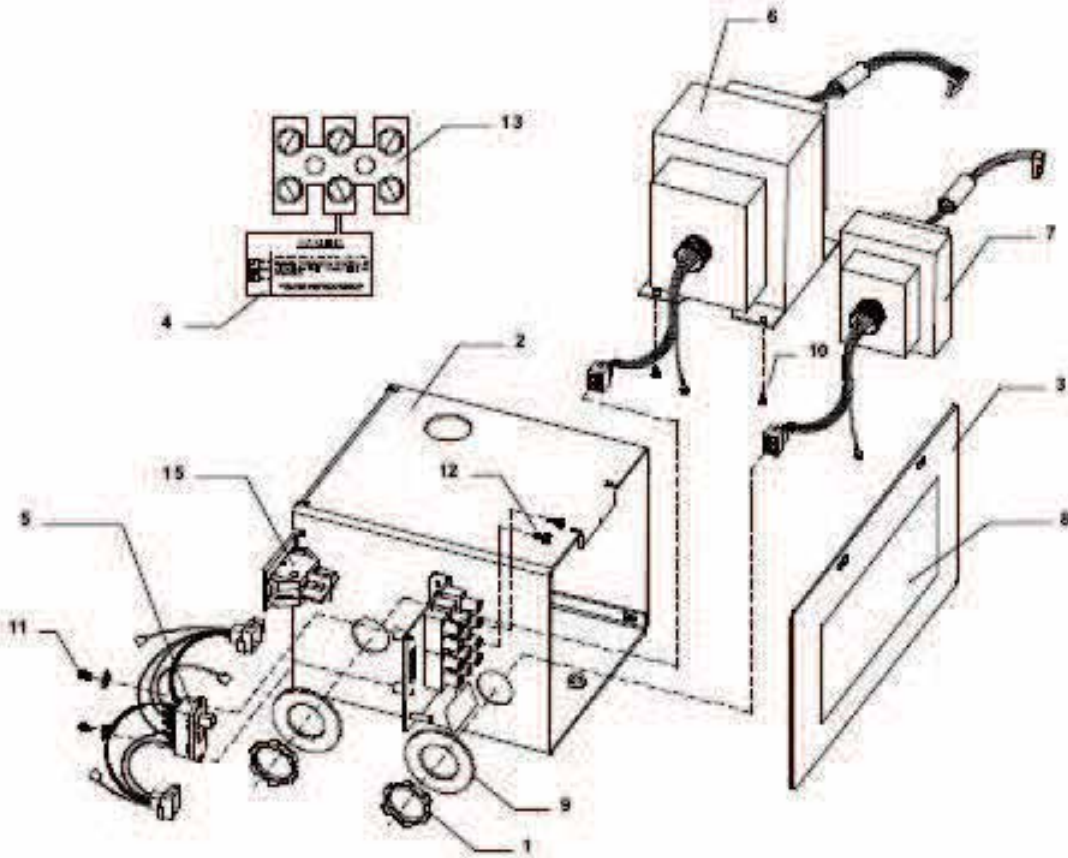


Ref.	Part Description	Qty.	PAR+ES
19	HARNESS ASSY TERMINAL BOARD STA 1-24	1	H60331
20	HARNESS ASSY TERMINAL BOARD STA 25-48	1	H60341
21	HARNESS ASSY TERMINAL BOARD STA 49-72	1	H60351

Note: Part numbers enclosed in brackets () are not available individually, but may be sold in assemblies or kits.

January 1, 2015

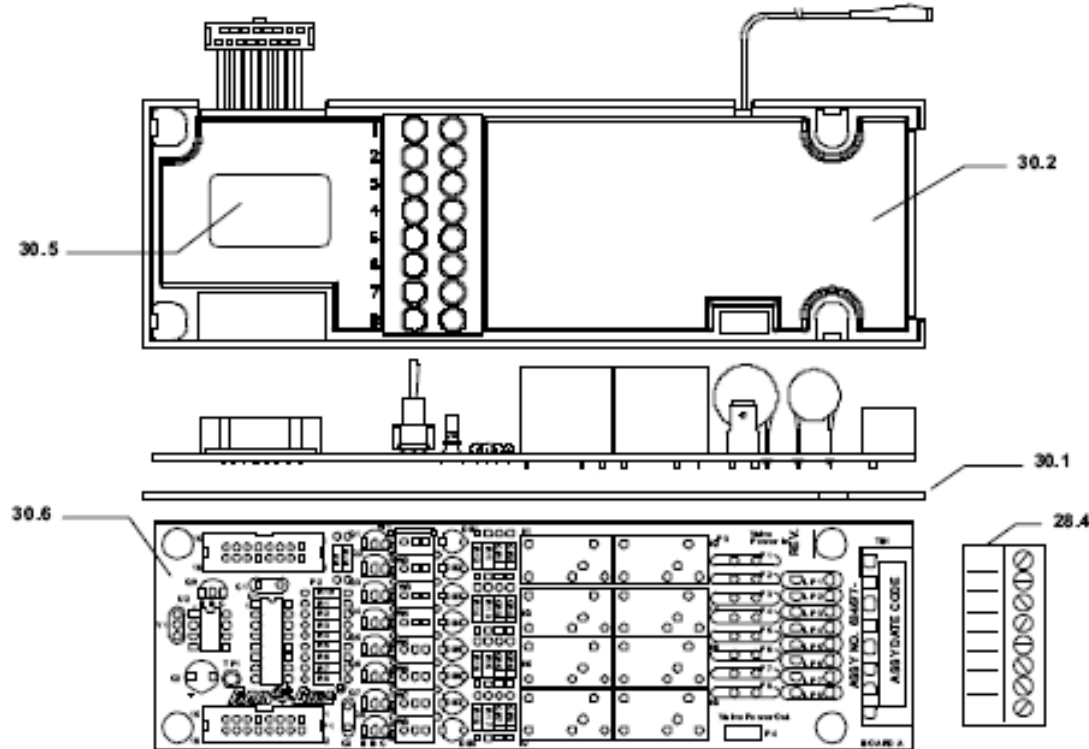
CONTROLLER ASSEMBLY WITH PEDESTAL (PAR+ES)



Ref.	Part Description	Qty.	PAR+ES	PAR+ES (LINK)
22	POWER SUPPLY PAR+/MSC+		635224-01	
23	POWER SUPPLY PAR+/MSC+ LINK			635224-02
1	Locknut Conduit	1(2)	(628013)	(628013)
2	Box, XFMR, Steel	1	(635113)	(635113)
3	Cover, XFMR Steel	1	(635114)	(635114)
4	Label, PWR Supp.	1	(635154)	(635154)
5	Switch, Voltage Selector	1	(633204)	(635204)
6	TRANSFORMER CONNECTOR ASSY	1	633252	633252
7	TRANSFORMER CONNECTOR ASSY LINK	0(1)	633254	
8	Label, Cover Steel XFMR	1	(635226)	(635226)
9	Washer, Flat 7/8".090	1(2)	(650023-43)	(650023-43)
10	Screw, SCFTPG, PNH, #8-18.375L	4	(650104-41)	(650104-41)
11	Screw 4-40 3/8L PN HD	2	(650105-15)	(650105-15)
12	Screw 8-32	2	(650105-48)	(650105-48)
13	Terminal Block Double Row	1	(651495-03)	(651495-03)
14	Terminal Block Double Row Male	1	(651496-03)	(651496-03)
15	Switch, DPST, Rocker With	1	(651503)	(651503)

Note: Part numbers enclosed in brackets () are not available individually, but may be sold in assemblies or kits.

January 1, 2015

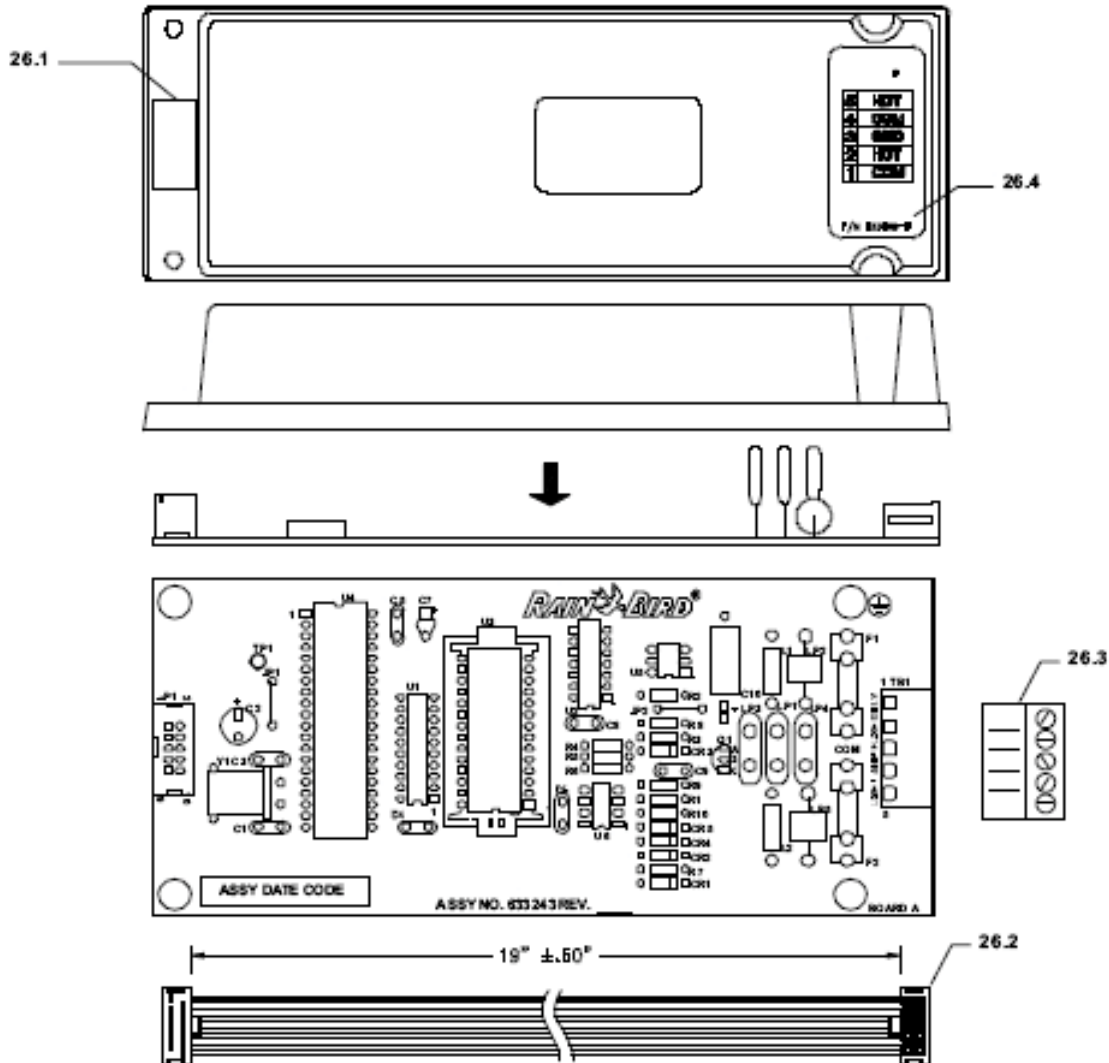


Ref.	Part Description	Qty.	PAR+ES
30	OUTPUT STATION MODULE /W SW		HA0200
30.1	Shield, Insul., U.L.94V0, OSM PWB	1	633852
30.2	Cover, Output Station Module	1	(634644-02)
30.3	Screw, MACH PNH #6-32	2	(650480-12)
30.4	Connector, Terminal Block	1	651034-08
30.5	Label, Switch Positon	1	(634680)
30.6	PWB Assy Output ST MOD (OSM)	1	(634677-01)
P2	Ribbon Cable Assy PAR/MSC+	1	633245
P3	Cable, Value Power-PAR/MSC+	1	633247
U2	SW Assy, OSM V01	1	634672
C1, C3	Capacitor Ceramic Disc 0.1MF 50V	2	650013-45
CR1-CR8	Diode IN4148	8	650037-01
R11-R18	Resistor 1/4W 10% 2.2K	8	(650079-81)
R19	Resistor 1/4W 10% 3.3K	1	(650079-85)
R1-R8	Resistor 1/4W 10% 4.7K	8	650079-89
R10	Resistor 1.4W 10% 5.6K	1	(650079-91)
R9	Resistor 1/4W 10% 22K	1	650080-06
Q1-Q8	Transistor, NPN 600MW PN2222	8	650084
P4	Terminal Q.Disk Male	1	650138
TP1	Terminal Test PT .067-078	1	(650336-01)
Q9	Transistor PNP 625 MW	1	650369
C2	Capacitor Tantalum 22UFD 25V	1	650583-09
SW1-SW8	Sub-Miniature Toggle SWI	8	651414
K1-K8	Relay, SPDT, Small 5A 9V	8	650725-03
P1	Header .100 CTR 16 CKT	1	650872-16
U1	IC 8 BIT Latch ADDR 74HC259 8 BIT	1	650889
TB1	Socket, Horizontal 8 CRKT	1	(650900-08)
DS1-DS8	LED, Clear Red Super Bright	8	650910
F1-F8	Fuse, Self Resetting, 1.85AMPS	8	651124-05
Y1	Resonator, Ceramic 10MHZ	1	651445
LP1-LP8	MOV, 47 V, 1000A	8	651467

Note: Part numbers enclosed in brackets () are not available individually, but may be sold in assemblies or kits.

January 1, 2015

CONTROLLER ASSEMBLY WITH PEDESTAL (PAR+ES)



Ref.	Part Description	Qty.	PAR+ES
26	MAXI I/F MODULE, 2 - WIRE		H44500
26.1	Cover, MAXI I/F Module	1	633207
26.2	Cable, Harness Assy	1	634875
26.3	Connector, Terminal Block	1	(651034-05)
26.4	Label, MAXI 2-Wire-Par/MS+	1	(633668)
26.5	Screw, #4-40 X 1/4" PH	4	(650480-01)
26.6	PWB Assy 2 Wire Interface Board	1	633243
LP2, PP5	Protector, Surge, Spark Gap	2	624625
U3	S/W, MSC+/PAR+ 2W IFB V03	1	(633294)
C1, C3	Capacitor CER Disc, 50V(MIN) 1PFT08200	2	(650012-15)
C4, 5, 6, 7, 8	Capacitor CER 0.1MF 50V	4	650013-45
LP1, LP3, LP4	MOV 68Volts 500AMPS	3	650016
CR1, CR5	Diode Zener 1N5237 8.2V	2	650038-12
C9	Capacitor 001UF 100V	1	(650040-57)
C10	Capacitor Elect AX 50V 47MF	1	(650046-13)
U5	IC MOC3011	1	650070-01
CR2, 3, 4	Diode 1N4002	3	650077-02

Note: Part numbers enclosed in brackets () are not available individually, but may be sold in assemblies or kits.

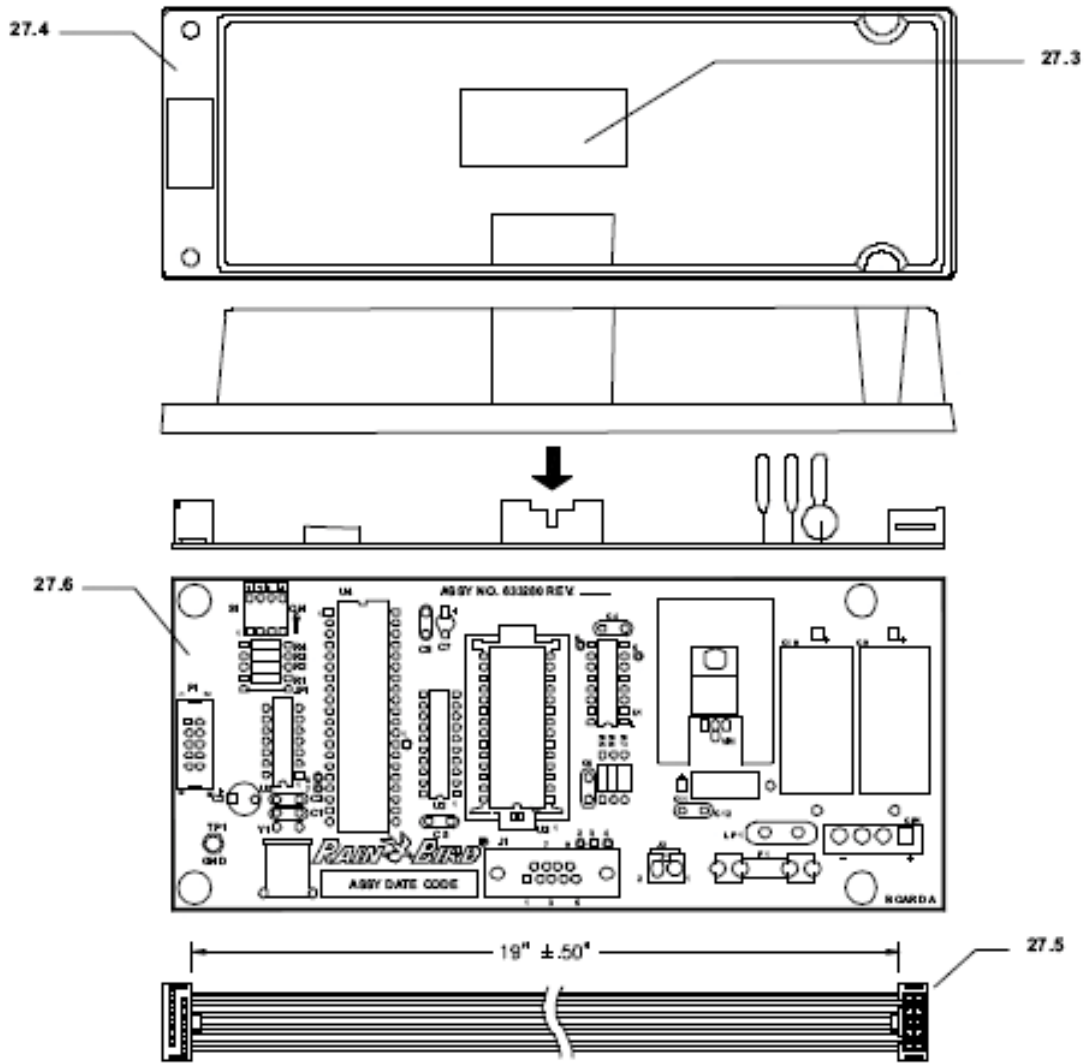
January 1, 2015

Ref.	Part Description	Qty.	PAR+ES
R2	Resistor 1/4W 10% 270 OHM	1	(650079-59)
R1, 9	Resistor 1/4W 10% 1.0K	2	(650079-73)
R3	Resistor 1/4W 10% 2.0K	1	(650079-80)
R8	Resistor 1/4W 10% 4.7K	1	650079-89
R4, 5, 7, 10	Resistor 1/4W 10% 47K	4	(650080-14)
R6	Resistor 1/4W 10% 100K	1	(650080-22)
JP1, JP2, (Y1)	Wire, 22AWG, A.I. .450 LD SP	2	(650625-03)
L1, L2	Inductor Ferrite	2	650300-05
(F1, F2)	Clip Fuse .197DIA PCB MNT	4	(650308)
TP1	Terminal Test PT .067-078	1	(650336-01)
Q1	Rectifier 2N5062 Silicon	1	650375
U6	IC, OPTO-Coupler HCPL-2731	1	650445
(U3)	Socket IC Carrier 28PI	1	650518-02
U2	IC, Inverter 74HC14	1	650540
C7	Capacitor 2.2UFD 25V Tantalum	1	650583-03
C2	Capacitor 22UFD 25V Tantalum	1	650583-09
U1	IC, 74HC373 3 State OCT Latch	1	650611
Y1	Crystal, 11.0592 MHZ	1	650721
P1	Header .100CTR, 10CKT, LO Profil	1	(650872-10)
TB1	Socket, HOrizontal 5 CRKT.	1	650900-05
F1, F2	Fuse, 5X20MM, Slow Blow 4 AMPS	2	(650966-16)
U4	IC, Microcontroller, 80C32	1	651031

Note: Part numbers enclosed in brackets () are not available individually, but may be sold in assemblies or kits.

January 1, 2015

CONTROLLER ASSEMBLY WITH PEDESTAL (PAR+ES)



Ref.	Part Description	Qty.	PAR+ES
27	MAXI I/F MODULE, LINK		H44550
27.1	Link Interface Module	1	(634935)
27.2	Screw, #4-40 X 1.4" PH	4	(650480-01)
27.3	Label, Link Conver, Field Instal	1	(633034)
27.4	Cover, Modified, INTFC PWB, +Link	1	633231
27.5	Cable Harness Assy	1	634875
27.6	PWB AssyLink INTFC BRD-PAR/MS	1	633280
	S1	1	631012-04
	U3	1	633293-02
	C1, 3	2	(650012-15)
	C4, 5, 6, 8, 12	5	650013-45
	LP1	1	650015
	C11	1	(650045-08)
	R5, 6, 7	3	650079-89
	R1, 2, 3, 4	4	(650080-14)

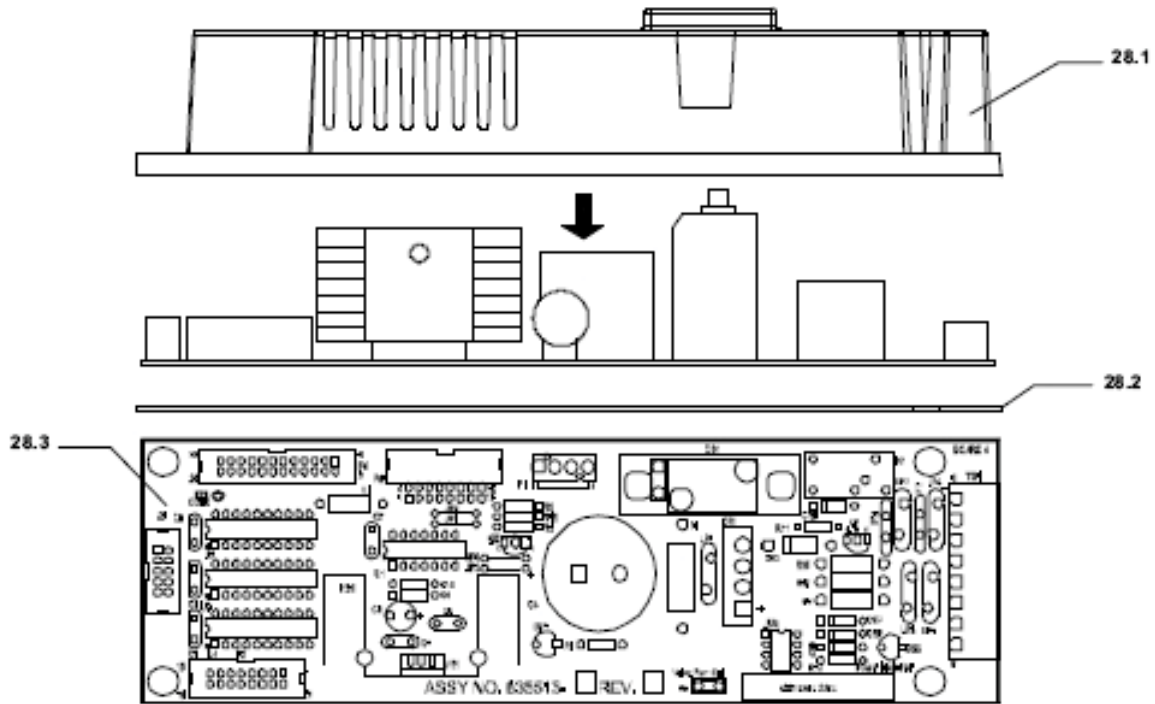
Note: Part numbers enclosed in brackets () are not available individually, but may be sold in assemblies or kits.

January 1, 2015

Ref.	Part Description	Qty.	PAR+ES
(VR1)	Rivet Blind 1/8 X .328	1	(650139-05)
F1	Fuse 5 X 20MM 2AMPS	1	(650307-03)
(F1)	Clip Fuse .197DIA PCB MNT	2	(650308)
(VR1)	Heatsink TO-220 HP	1	(650335)
(U4)	Socket IC Carrier 28PI	1	650518-02
U1	IC, Inverter 74HC14	1	650540
CR1	Bridge Rectifier, 200V 4AMP SIP	1	650581-03
C7	Capacitor 2.2UFD 25V Tantalum	1	650583-03
C2	Capacitor 22UFD 25V Tantalum	1	650583-09
J1	Connector	1	(650610-05)
U2	IC, 74HC373 3 State OCT Latch	1	650611
(J1)	Jack Socket Kit	1	(650620)
JP1	Wire, A.I.	1	(650625-03)
Y1	Crystal, 11.0592MHZ	1	650721
U1	IC, 74LS367	1	650776
P1	Header .100CTR, 10CKT, LO Profil	1	(650872-10)
J2	Header, St. SQ. PIN 2 POS.	1	(650893-02)
VR1	Voltage Regulator 8V, 7808	1	650939
C9, 10	Capacitor Elect Axial 25V 3300MF	2	(650954)
U4	IC, Microcontroller, 80C32	1	651031

Note: Part numbers enclosed in brackets () are not available individually, but may be sold in assemblies or kits.

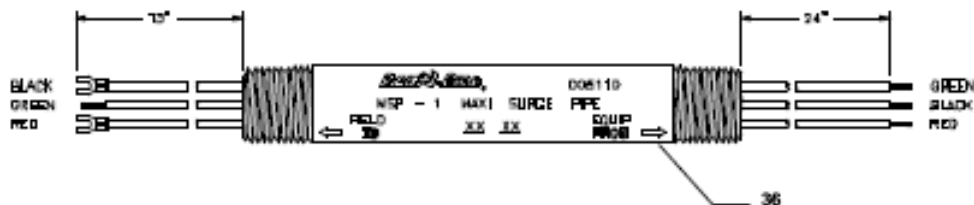
January 1, 2015



Note: Part numbers enclosed in brackets () are not available individually, but may be sold in assemblies or kits.

January 1, 2015

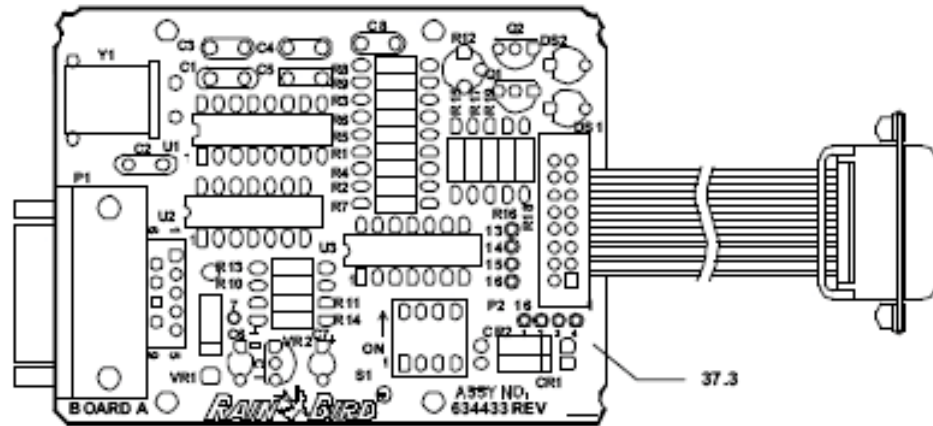
Ref.	Part Description	Qty.	PAR+ES
28	INTERCONNECT/PWR SUP SUB-ASSY PAR+ES		633226-03
28.1	Cover, Intcon PWB-PAR/MS+	1	633208
28.2	Shield, Insul, U.L.94-V0, P/I-PWB	1	633851
28.3	PWB Power Interface Assy	1	(635513-01)
	C1, 2, 5, 7, 8	6	650013-45
	LP1	1	650015
	(VR1)	1	(650023-03)
	CR3, 6, 7, 8	4	650037-01
	R1	1	(650079-67)
	R11, 12	2	650079-89
	R4, 14, 15	4	(650079-91)
	Q1	1	650084
	R3	1	(650135-97)
	P5	1	650138
	(VR1)	1	(650139-05)
	R2, 10, 13	3	(650202-80)
	U2	1	650253
	L1	1	650300-05
	Q2	1	650369
	U1	1	650540
	CR1	1	650581-01
	C2	1	650583-09
	CR2	1	650595-22
	U4	2	650611
	J1, 2, 3, 4	4	(650625-03)
	K1	1	650725-03
	VR1	1	650733
	P3	1	(650872-10)
	P2	1	650872-16
	P4	1	(650872-24)
	LP2, 3, 4, 5	4	650875
	P1	1	(650893-04)
	TB1	1	(650900-08)
	F1	1	(650905-10)
	DS1, DS2	2	650910
	C4	1	(650950)
	HS1	1	(651019)
	CB1	1	651032-22
	P6	1	(651050-05)
	PT1, PT2	2	651124-05
	U5	1	(651590)



Ref.	Part Description	Qty.	PAR+ES
36	TWO WIRE PIPE SURGE PROTECTOR (MSP-1)		D05110

Note: Part numbers enclosed in brackets () are not available individually, but may be sold in assemblies or kits.

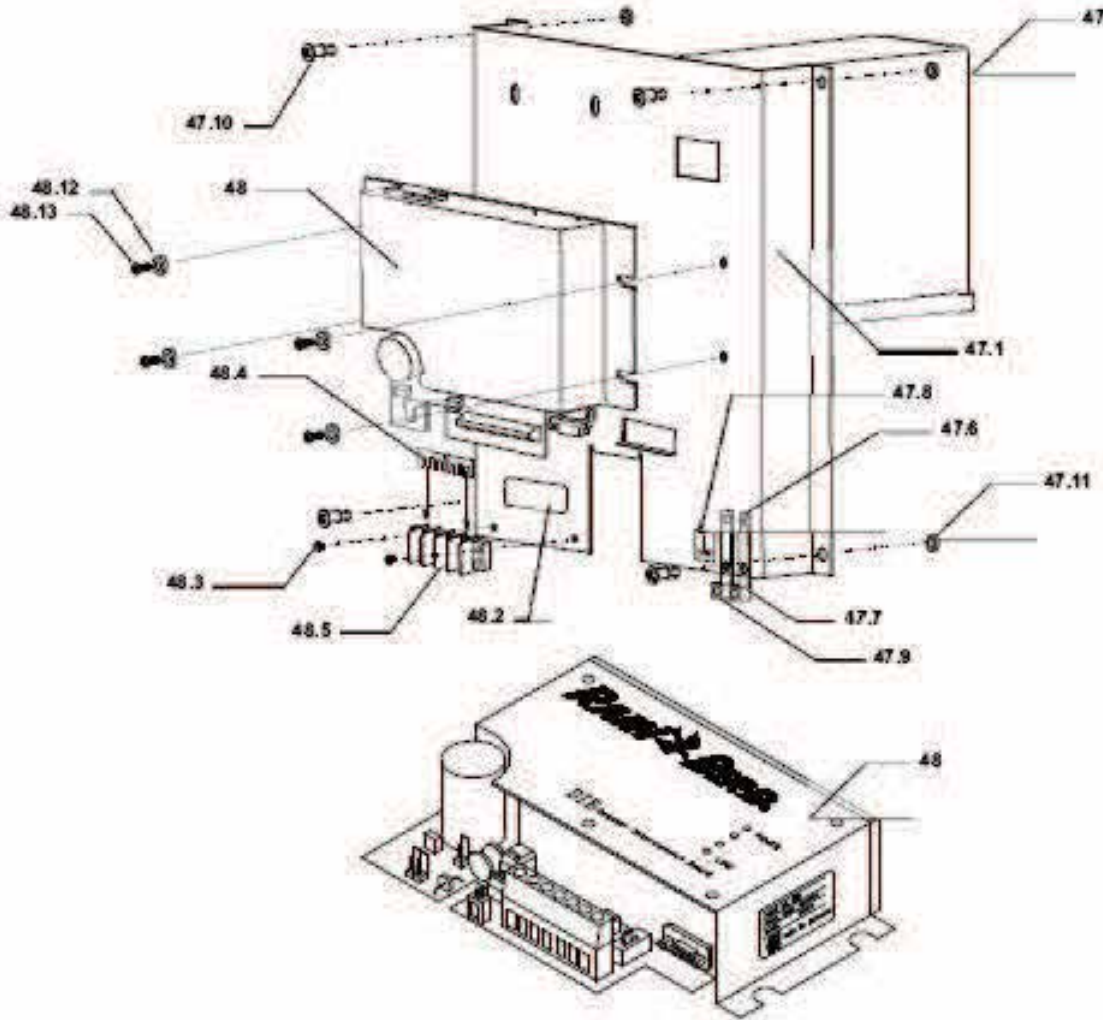
January 1, 2015



Ref.	Part Description	Qty.	PAR+ES
37.3	ASSY WIRELESS MODEM		634433
C5	Cap RAD .33MFD 50V	1	(626408)
P2	Cable Assy. Combox	1	(632367)
C1, 3	Capacitor CER Disc, 50V(MIN) 1PFT08200	2	(650012-10)
C2, 4, 8	Capacitor CER 0.1MF 50V	3	650013-45
CR1	Diode 1N4002	1	650077-02
R15, 16	Resistor 1/4W 10% 470 OHM	2	(650079-65)
R17, 18	Resistor 1/4W 10% 4.7 K	2	650079-89
R5	Resistor 1/4W 10% 10 K	1	(650079-97)
R3	Resistor 1/4W 10% 20 K	1	(650080-05)
R1,2,7,10,11,13,14,19	Resistor 1/4W 10% 47 K	8	(650080-14)
R6	Resistor 1/4W 10% 56 K	1	(650080-16)
R4	Resistor 1/4W 10% 100 K	1	(650080-22)
(U1)	Socket, Dip, Low Profile 16 Pins	1	(650081-03)
Q1, Q2	Transistor, NPN 600MW PN2222	2	650084
U2	IC, Inverter 74HC14	1	650540
C7	Capacitor 2.2UFD 25V Tantalum	1	650583-03
C6	Capacitor 22UFD 25V Tantalum	1	650583-09
VR1	Transient Suppressor 18V	1	650595-22
(CR2)	Wire, A.I.	1	(650625-03)
R12	POT, 10K OHM 1/4" Single Turn	1	(650739-10)
Y1	Crystal, 3.579545 MHZ	1	(650759)
DS1, 2	Led, Clear Red Super Bright	2	650910
U3	IC Quad 2-input EX-OR	1	650937
VR2	Voltage Regulator	1	650938
P1	Connector Plug Right Angle PC	1	(651130-02)
U1	IC, MX 614 1200 BPS	1	651141

Note: Part numbers enclosed in brackets () are not available individually, but may be sold in assemblies or kits.

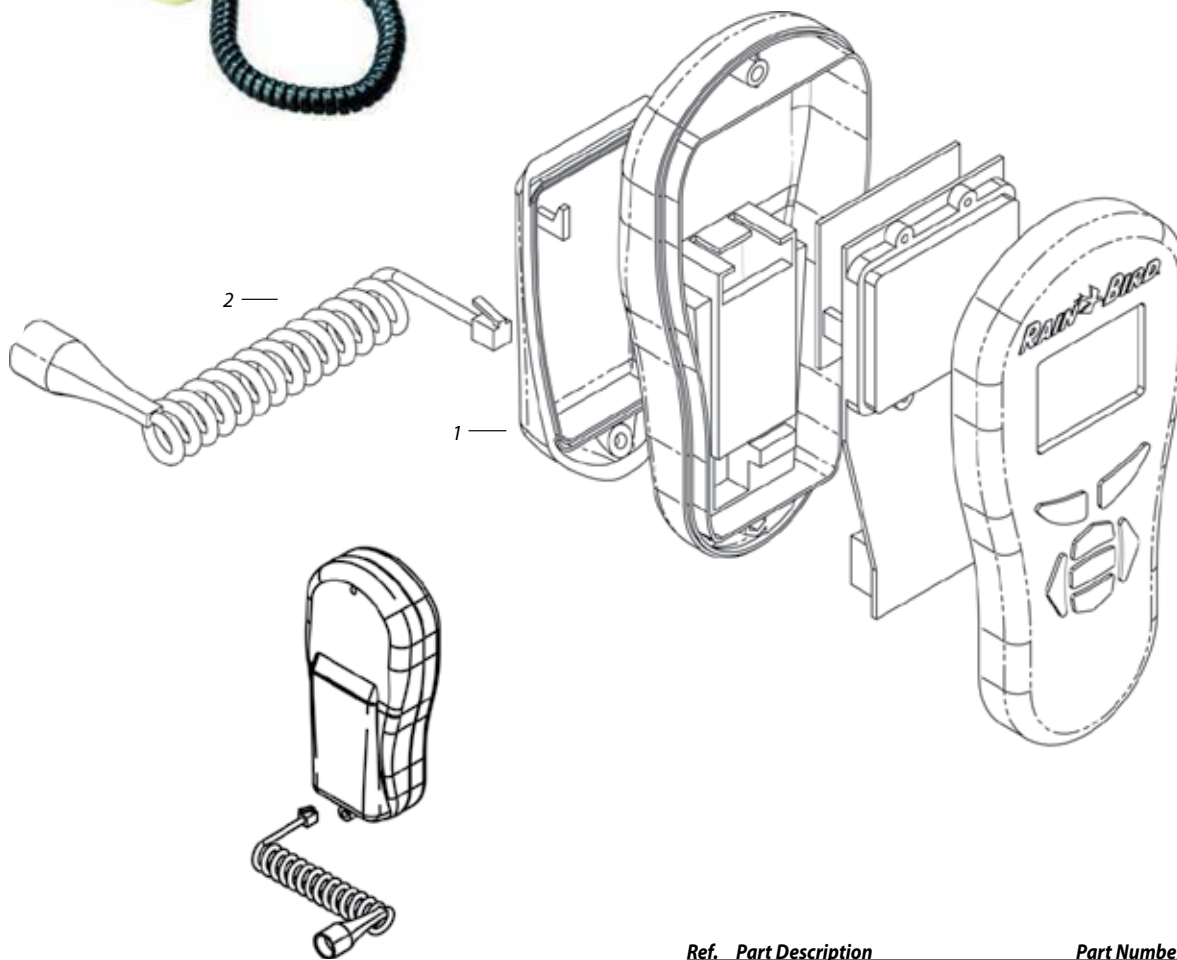
January 1, 2015



Ref.	Part Description	Qty.	PAR+ES(LINK)	PAR+ES(TWO WIRE)
47	DIB BRACKET ASSY	1	635867-01	
47	DIB BRACKET ASSY	1		635867-02
47.1	Plate, DIB Mount, Steel	1	(636078)	(636078)
47.2	Label, Two Wire Terminal Block	(0)1		(635228)
47.3	Screw 6-32 X 3/8	2		(650105-28)
47.4	Jumper 2 Position	2		(651516)
47.5	Terminal Block (4 Circu)	1		(651501)
47.6	Rivet Blink	4	(650422-13)	(650422-13)
47.7	Lug, Single Barrel, Coper, Two HL	1	(650892)	(650892)
47.8	Label, Ground Symbol (IEC-509)	1	(651037)	(651037)
47.9	Lug, Single Barrel, Copper Two	1	(651350-02)	(651350-02)
47.10	Stud Phillips, Oval Steel	4	(651511)	(651511)
47.11	Retainer, Black Nylon	4	(651512)	(651512)
47.12	Washer, Flat #10 .032	4	(650023-13)	(650023-13)
47.13	Screw, #8-32 X 3/8" PHIL	4	(650480-27)	(650480-27)
48	DECODER INTERFACE BOARD (DIB)	1	636104	636104

Note: Part numbers enclosed in brackets () are not available individually, but may be sold in assemblies or kits.

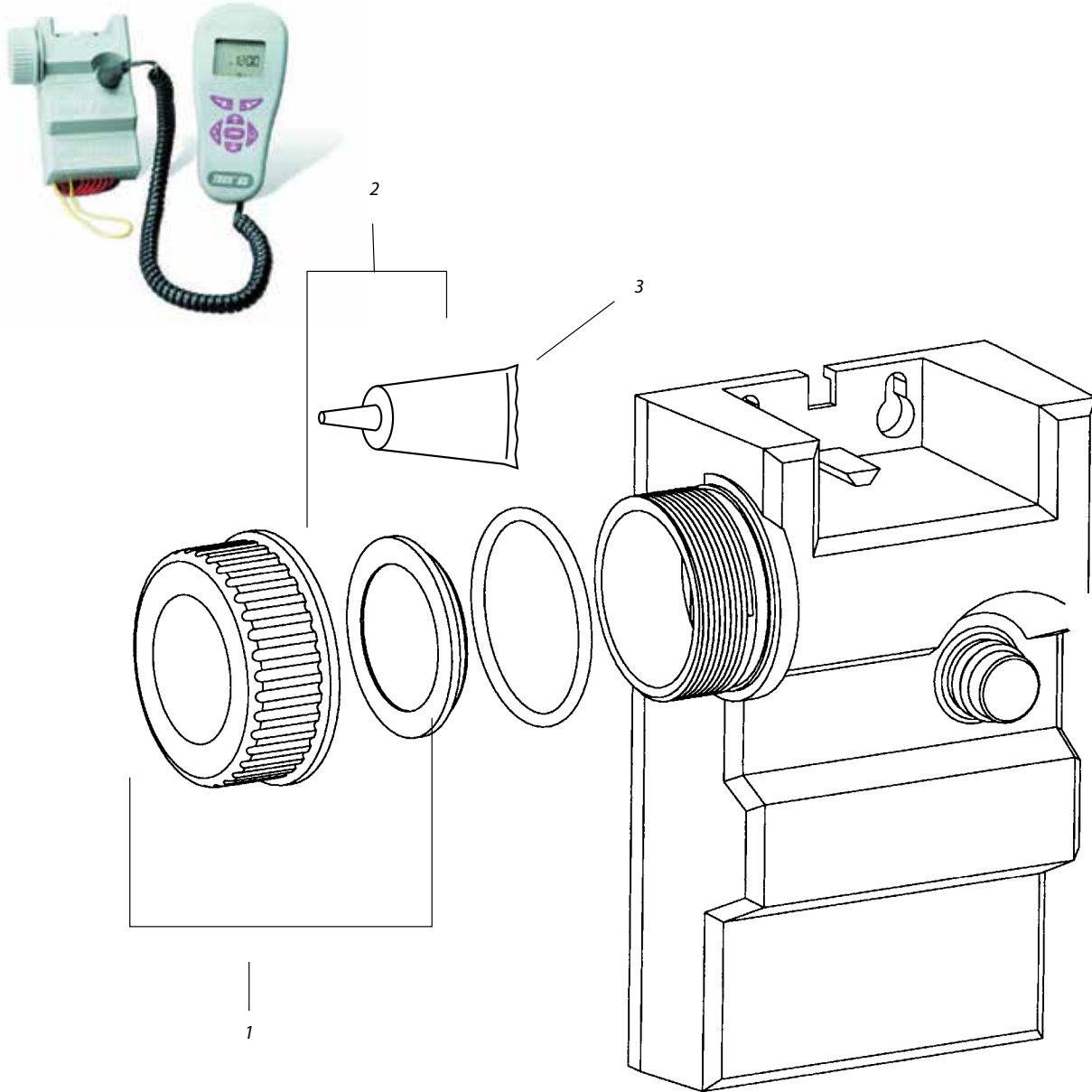
January 1, 2015



Ref.	Part Description	Part Numbers
1	TBOS FT Battery Cover	636882
2	TBOS FT Infrared Cord	636663

Note: Part numbers enclosed in brackets () are not available individually, but may be sold in assemblies or kits.

January 1, 2015

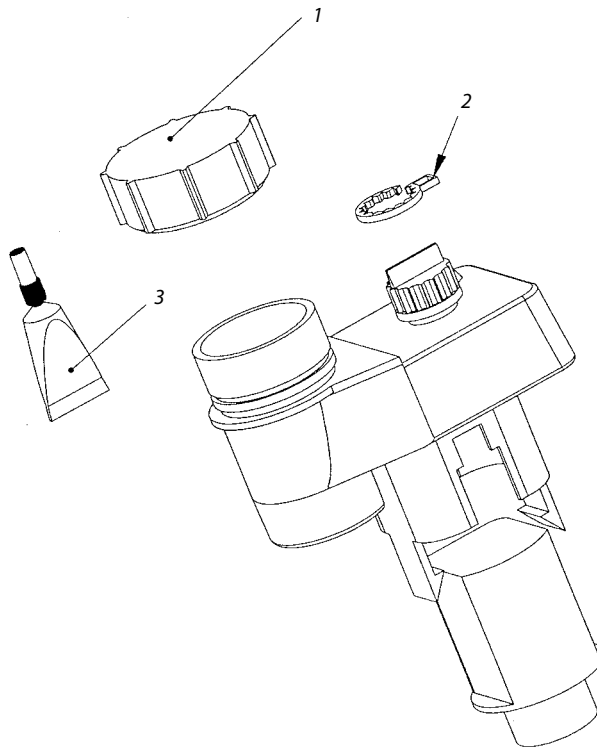


<u>Ref.</u>	<u>Part Description</u>	<u>Part Numbers</u>
1	Module Cap + O-ring	(633712)
2	Seal + Protective Grease	(634552)
3	Protective Grease	634542

Note: Part numbers enclosed in brackets () are not available individually, but may be sold in assemblies or kits.

January 1, 2015

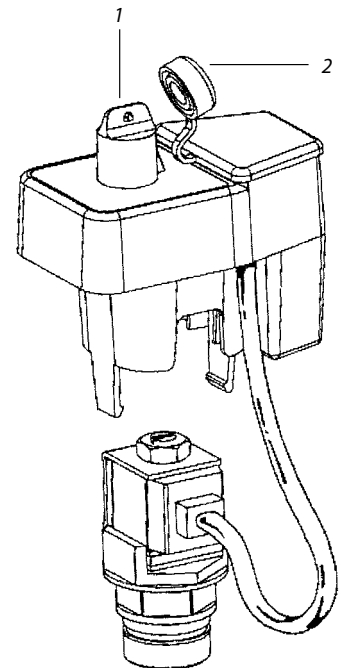
NEW VERSION



<u>Ref</u>	<u>Description</u>	<u>Qty.</u>	<u>Part Number</u>
	EASY RAIN	1	K93100
1	Battery Screw-on Cap	1	635083
2	Cycle Indicator	1	635084
3	Grease Tube	1	634542
-	Quick Reference Card	1	635007
-	Instruction Manual	1	635006

* Use 9 volt battery

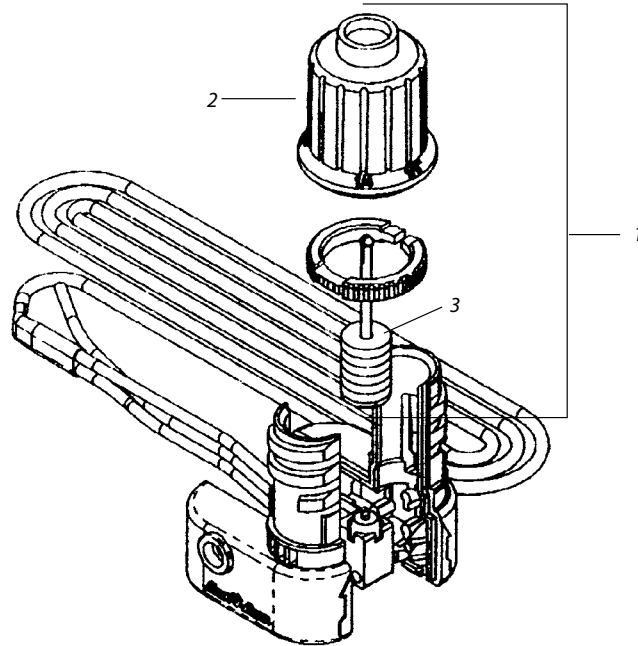
OLD VERSION



<u>Ref</u>	<u>Description</u>	<u>Qty.</u>	<u>Part Number</u>
	EASY RAIN (OLD VERSION)	1	K93005
1	Programming Knob	1	633730
2	Rubber Battery Cover	1	633732
-	Plastic Quick Reference Card	1	634084
-	Instruction Manual	1	(633731)

Note: Part numbers enclosed in brackets () are not available individually, but may be sold in assemblies or kits.

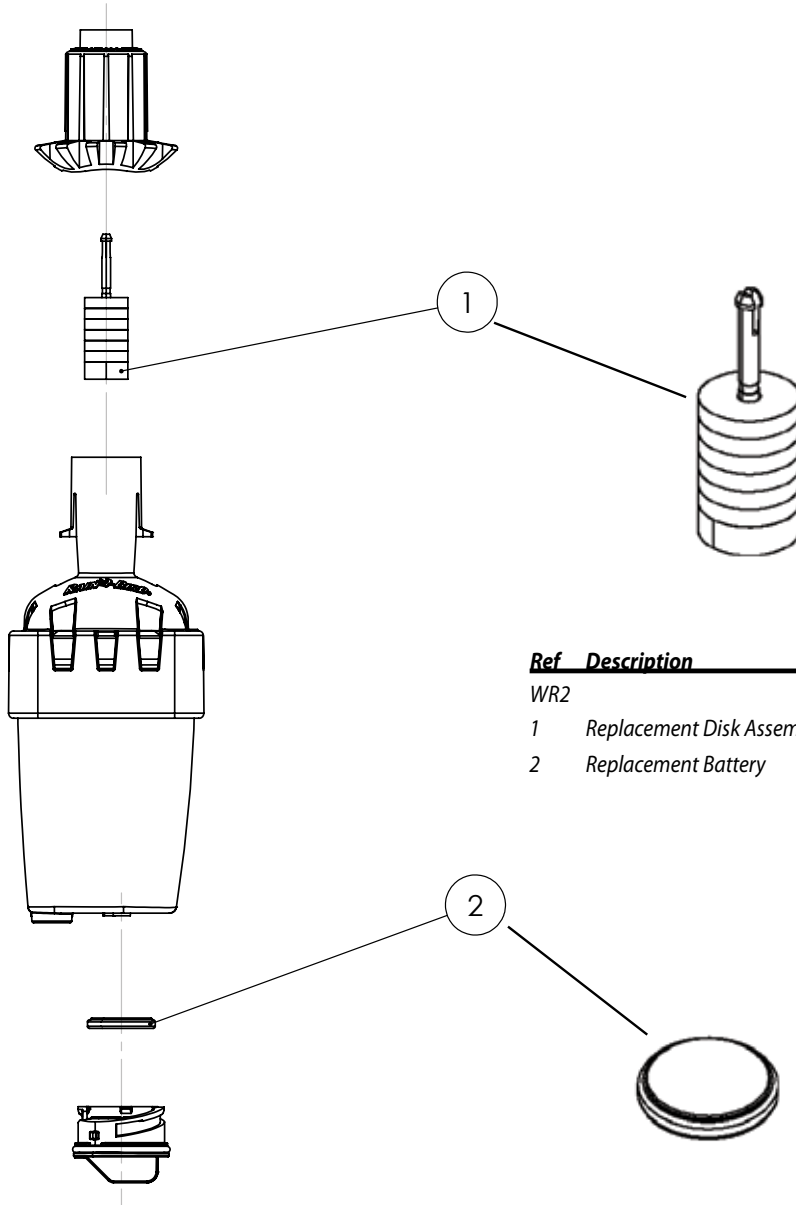
January 1, 2015



<u>Ref</u>	<u>Description</u>	<u>Qty.</u>	<u>Part Number</u>
RSD		1	A61200
1	RAIN SENSOR CAP ASSEMBLY	1	(172370)
2	Cap Assembly	1	(172161)
3	Disk & Shaft	1	(172162)

Note: Part numbers enclosed in brackets () are not available individually, but may be sold in assemblies or kits.

January 1, 2015

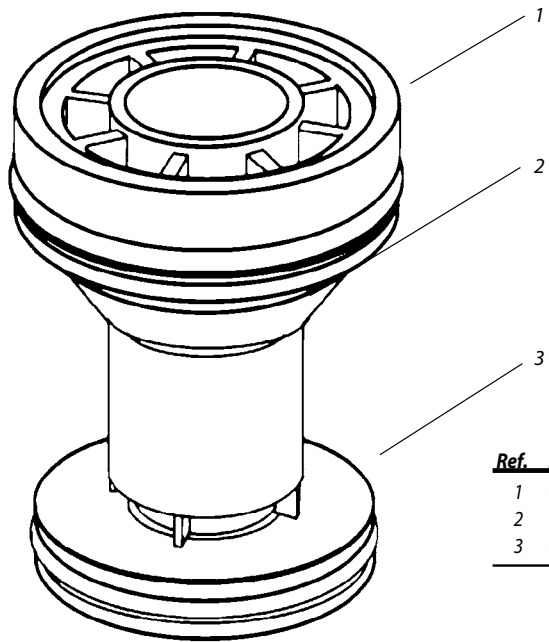


<u>Ref</u>	<u>Description</u>	<u>Qty.</u>	<u>Part Number</u>
WR2			
1	Replacement Disk Assembly	1	(637810S)
2	Replacement Battery	1	(651009S)

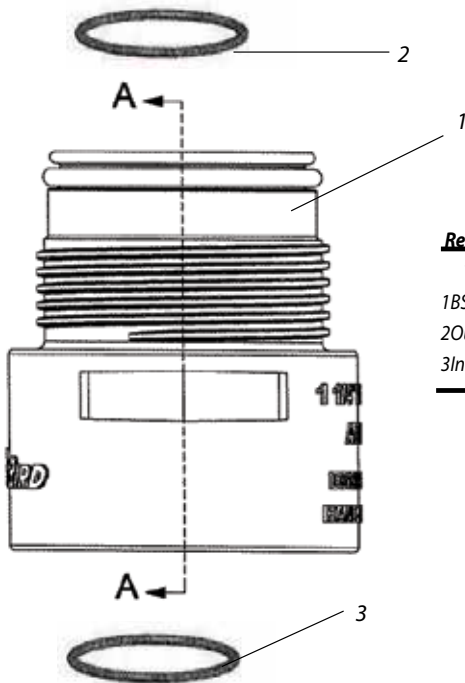
Note: Part numbers enclosed in brackets () are not available individually, but may be sold in assemblies or kits.

January 1, 2015

EAGLE™ Series Tools and Accessories



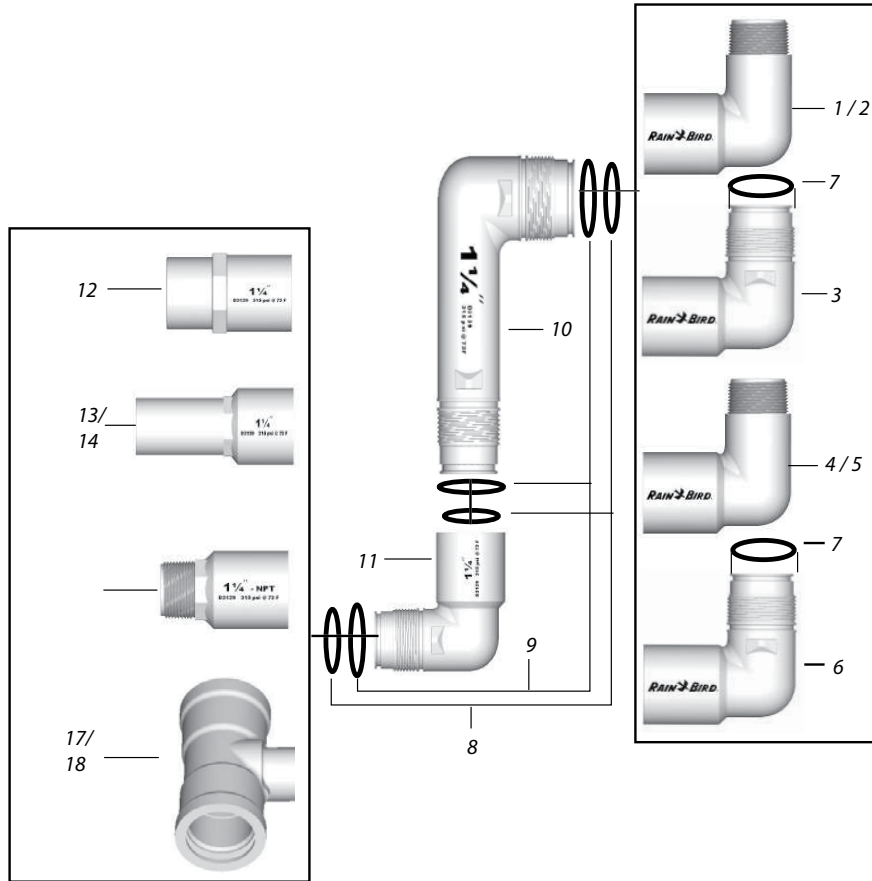
Ref.	Part Description	Qty.	Part No.
1	O-Ring, 900 Bearing Guide	1	212383
2	Universal Hose Adapter	1	—
3	O-Ring, 700 Bearing Guide	1	211242



Ref.	Part Description	Qty.	1.00	1.25	1.50
1	NPT Female - ACME Male Adapter	1	—	—	—
1	BSP Female - ACME Male Adapter	1	—	—	—
2	Outlet O-Ring	1	211872-01	211872-04	211872-07
3	Inlet O-Ring	1	211872-01	211872-03	211872-05

Note: Part numbers enclosed in brackets () are not available individually, but may be sold in assemblies or kits.

January 1, 2015

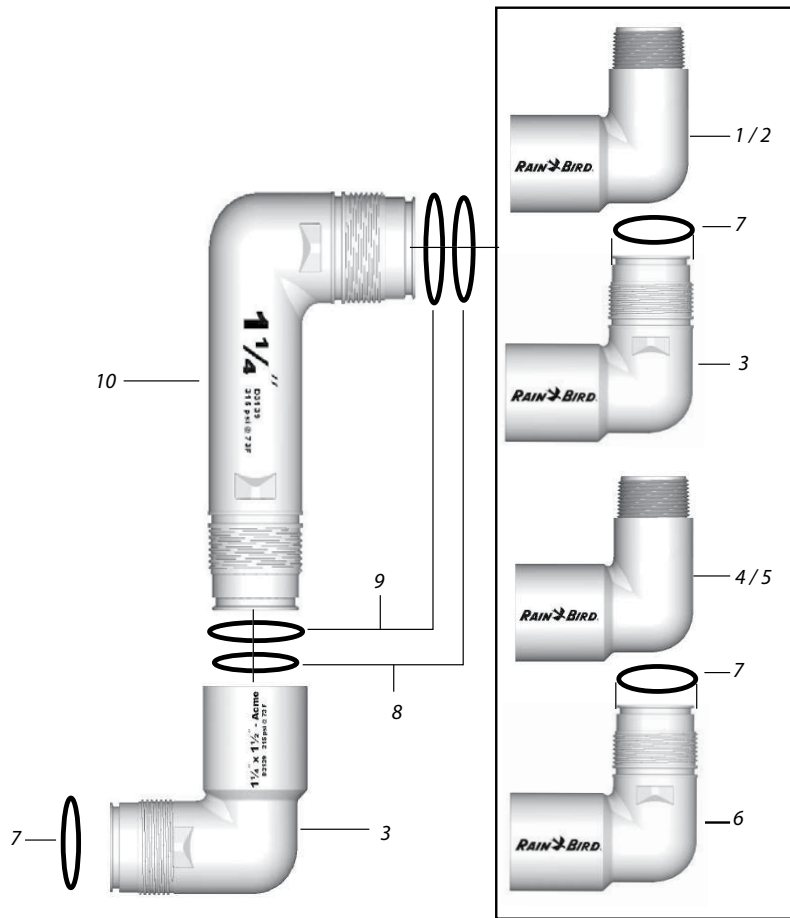


Ref.	Part Description	Qty.	1"	1 1/4"	1 1/2"
1	Outlet (NPT)	1	211870-01	211878-01	211866-01
2	Outlet (BSP)	1	211870-02	211878-02	211866-02
3	Outlet (ACME)*	1	212008	212014	212020
4	Enlarging Outlet (NPT)	1	211871-01	211879-01	N/A
5	Enlarging Outlet (BSP)	1	211871-02	211879-02	N/A
6	Enlarging Outlet (ACME)*	1	212009	212015	N/A
7	O-Ring, Outlet Seal (ACME)	1	211872-01	211872-04	211872-07
8	O-Ring, Internal (Front) Seal	3	211872-02	211872-05	211872-08
9	O-Ring, Internal (Back) Seal	3	211872-03	211872-06	211872-09
10	Layarm 8" ^{**}	1	—	—	—
—	12" ^{**}	1	—	—	—
—	18" ^{**}	1	—	—	—
11	Internal Elbow	1	212007	212013	212019
12	Socket Inlet	1	211867-03	211875-03	211863-03
13	Spigot Inlet	1	211867-04	211875-04	211863-04
14	Metric Spigot Inlet	1	211867-05	211875-05	211863-05
15	Inlet (NPT)	1	211867-01	211875-01	211863-01
16	Inlet (BSP)	1	211867-02	211875-02	211863-02
17	Gasketed - Service Tee 2"	1	—	—	—
18	Gasketed - Service Tee 2.5"	1	—	—	—

*Includes o-ring(s)

Note: Part numbers enclosed in brackets () are not available individually, but may be sold in assemblies or kits.

January 1, 2015



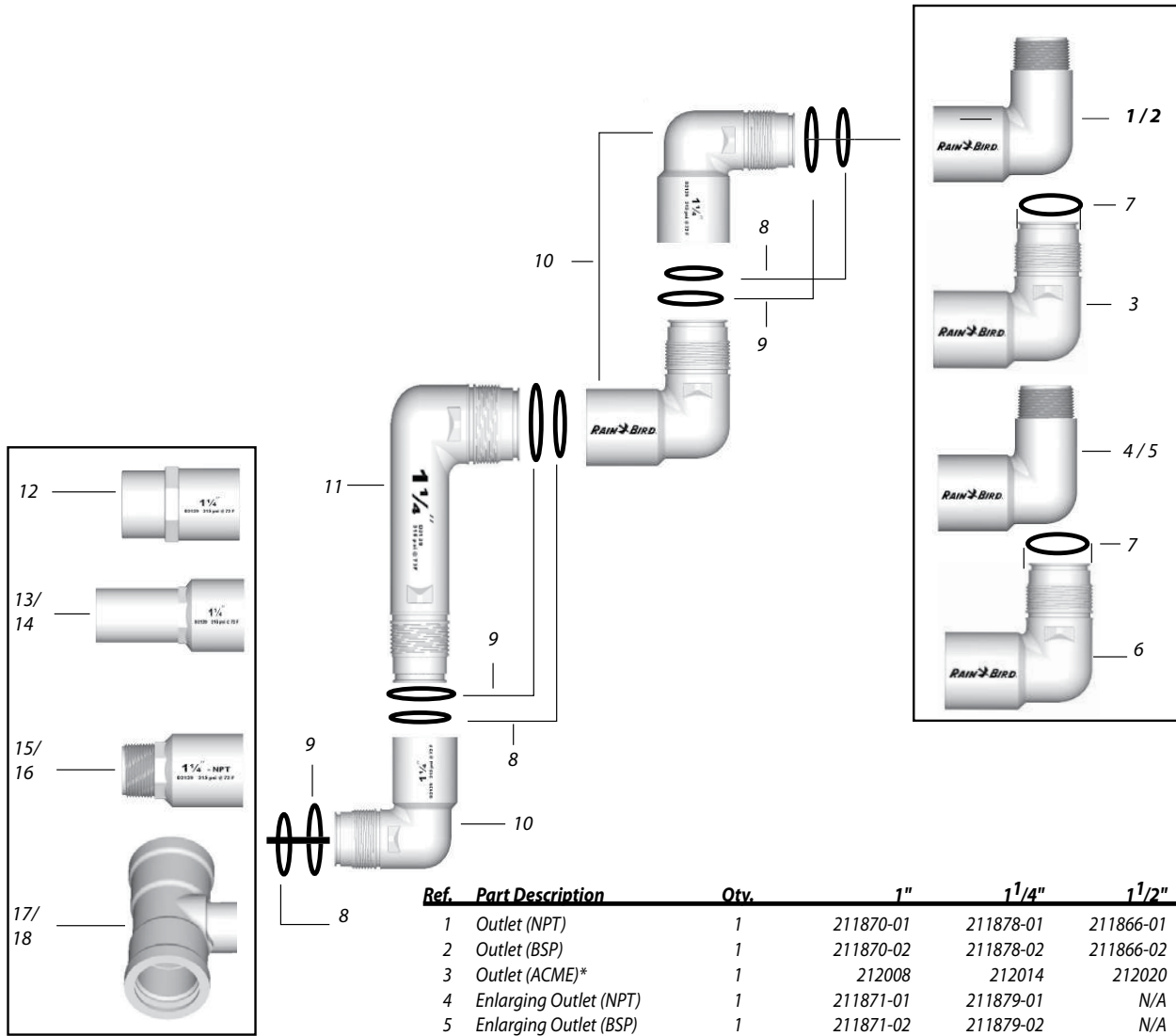
Ref.	Part Description	Qty.	1"	1 1/4"	1 1/2"
1	Outlet (NPT)	1	211870-01	211878-01	211866-01
2	Outlet (BSP)	1	211870-02	211878-02	211866-02
3	Outlet (ACME)*	1	212008	212014	212020
4	Enlarging Outlet (NPT)	1	211871-01	211879-01	N/A
5	Enlarging Outlet (BSP)	1	211871-02	211879-02	N/A
6	Enlarging Outlet (ACME)*	1	212009	212015	N/A
7	O-Ring, Outlet Seal (ACME)	1	211872-01	211872-04	211872-07
8	O-Ring, Internal (Front) Seal	2	211872-02	211872-05	211872-08
9	O-Ring, Internal (Back) Seal	2	211872-03	211872-06	211872-09
10	Layarm 8**	1	—	—	—
-	12**	1	—	—	—
-	18**	1	—	—	—

* Includes o-ring(s)

Note: Part numbers enclosed in brackets () are not available individually, but may be sold in assemblies or kits.

January 1, 2015

TRIPLE TOP SWING JOINT ASSEMBLY

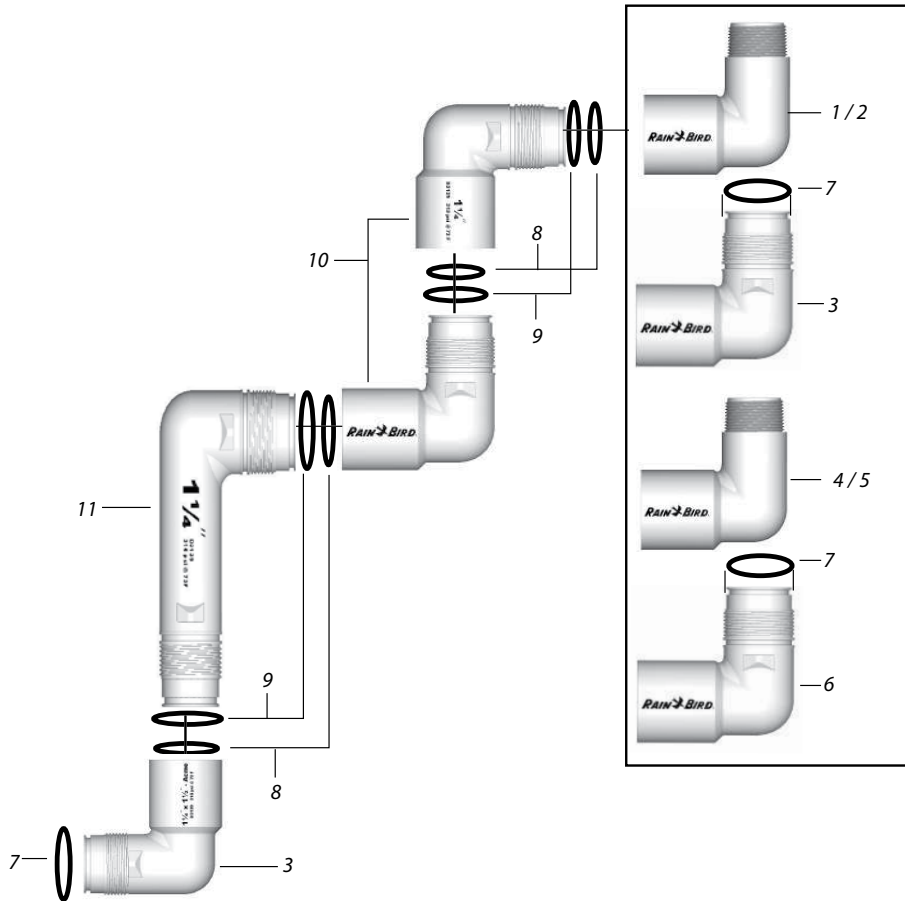


Ref.	Part Description	Qty.	1"	1 1/4"	1 1/2"
1	Outlet (NPT)	1	211870-01	211878-01	211866-01
2	Outlet (BSP)	1	211870-02	211878-02	211866-02
3	Outlet (ACME)*	1	212008	212014	212020
4	Enlarging Outlet (NPT)	1	211871-01	211879-01	N/A
5	Enlarging Outlet (BSP)	1	211871-02	211879-02	N/A
6	Enlarging Outlet (ACME)*	1	212009	212015	N/A
7	O-Ring, Outlet Seal (ACME)	1	211872-01	211872-04	211872-07
8	O-Ring, Internal (Front) Seal	5	211872-02	211872-05	211872-08
9	O-Ring, Internal (Back) Seal	5	211872-03	211872-06	211872-09
10	Internal Elbow*	3	212007	212013	212019
11	Layarm 8" ^{**}	1	—	—	—
—	12" ^{**}	1	—	—	—
—	18" ^{**}	1	—	—	—
12	Socket Inlet	1	211867-03	211875-03	211863-03
13	Spigot Inlet	1	211867-04	211875-04	211863-04
14	Metric Spigot Inlet	1	211867-05	211875-05	211863-05
15	Inlet (NPT)	1	211867-01	211875-01	211863-01
16	Inlet (BSP)	1	211867-02	211875-02	211863-02
17	Gasketed - Service Tee 2"	1	—	—	—
18	Gasketed - Service Tee 2.5"	1	—	—	—

* Includes o-ring(s)

Note: Part numbers enclosed in brackets () are not available individually, but may be sold in assemblies or kits.

January 1, 2015

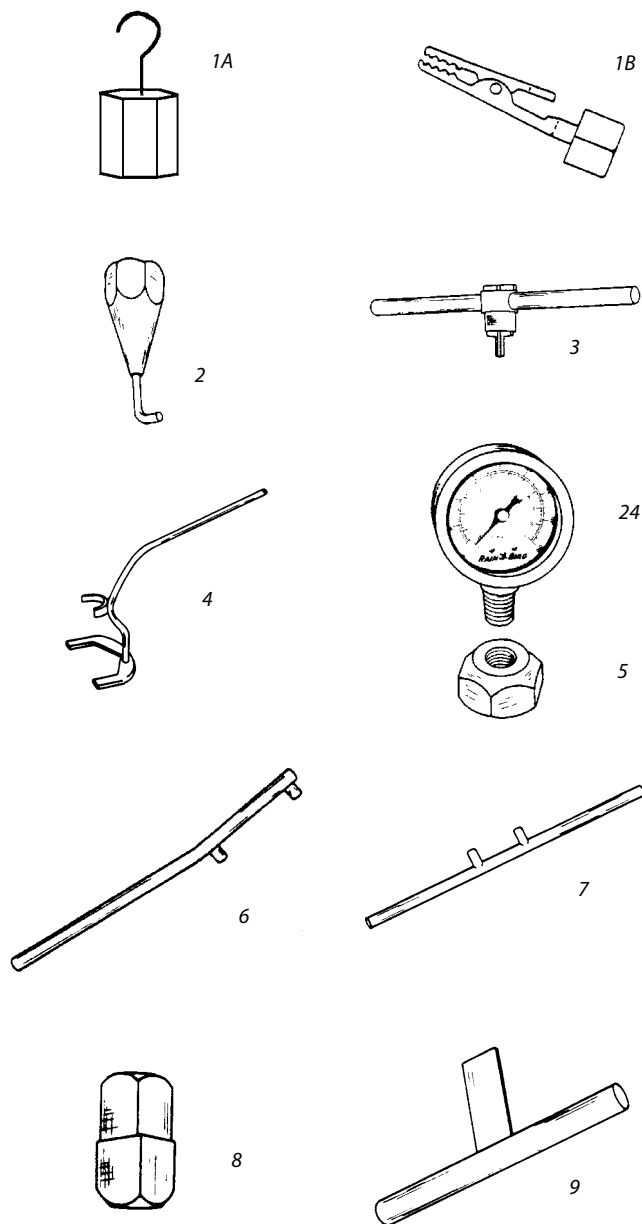


Ref.	Part Description	Qty.	1"	1 1/4"	1 1/2"
1	Outlet (NPT)	1	211870-01	211878-01	211866-01
2	Outlet (BSP)	1	211870-02	211878-02	211866-02
3	Outlet (ACME)*	2	212008	212014	212020
4	Enlarging Outlet (NPT)	1	211871-01	211879-01	N/A
5	Enlarging Outlet (BSP)	1	211871-02	211879-02	N/A
6	Enlarging Outlet (ACME)*	1	212009	212015	N/A
7	O-Ring, Outlet Seal (ACME)	1	211872-01	211872-04	211872-07
8	O-Ring, Internal (Front) Seal	4	211872-02	211872-05	211872-08
9	O-Ring, Internal (Back) Seal	4	211872-03	211872-06	211872-09
10	Internal Elbow*	2	212007	212013	212019
11	Layarm 8"	1	—	—	—
—	12"	1	—	—	—
—	18"	1	—	—	—

* Includes o-ring(s)

Note: Part numbers enclosed in brackets () are not available individually, but may be sold in assemblies or kits.

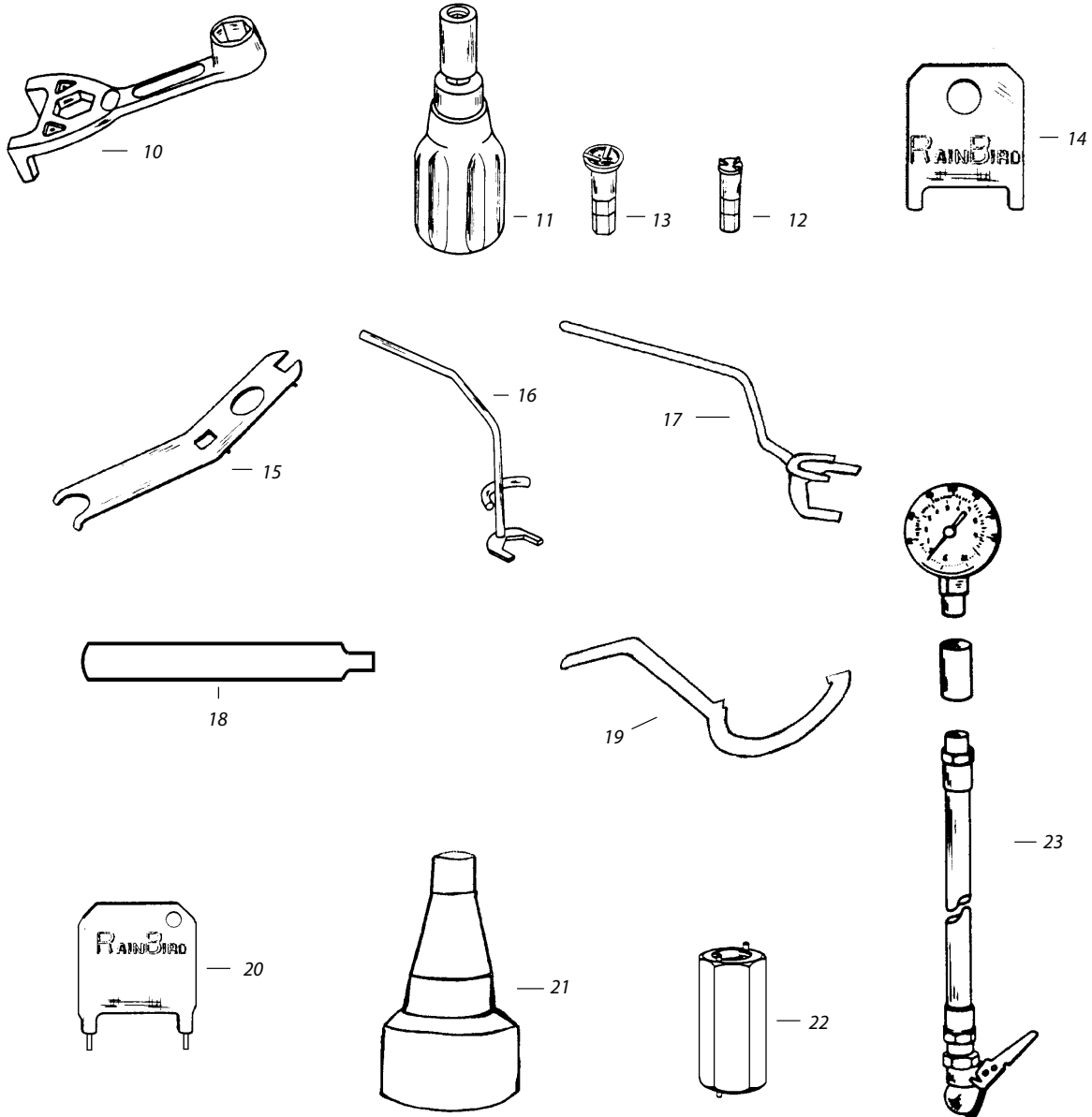
January 1, 2015



Ref.	Description	Part Number
1A	41000, Arm Weight, 21/31	(A90900)
1A	41008, Arm Weight, 29B/30/35	A90908
1B	41009, Arm Weight, 37, 5055	(A90909)
1A	41010, Arm Weight, 41-51	(A90910)
1A	41011, Arm Weight, 6060	(A90911)
1B	41015, Arm Weight, 4045	(A90915)
2	41017, Pitot Tube	A90917
3	41019, Universal Bearing Wrench	A90919
4	41045, Installation Wrench, 15111B	(A98090)
5	41052, Silcock Adaptor	A90952
1B	41054, Arm Weight, 27	(A90954)
6	42001, Spanner Wrench, 21-51	B41801
7	42005, Body Wrench, 21-51	B41805
8	42006, Bearing Nipple Wrench, 21-51	B41806
9	42021, Bearing Nipple Wrench, 81-87	(B41821)
10	42036, WR-15C Wrench, 2600/2800	(B41836)
1B	42038, Arm Weight, 47/81/87	(B41838)
11	42048, Adaptor Handle	(B41848)
12	42049, Sytle P Driver	B41849
13	42050, Sytle H Driver	B41850
14	42052, Key, 131/171	(B41852)
15	42055, WR-16 Wrench, 1600	(B41855)
16	42064, Installation Wrench, Mini-Paw	B41866
17	42066, Installation Wrench, 40-60	(B41870)
18	42067, Bearing Nipple Wrench, 40-60	B41860
-	42068, Bearing Nipple Wrench, 91/95	(D02205)
-	42069, Body Wrench, 91/95	(D02200)
19	42070, Spanner Wrench, R-70	(A49100)
20	42071, Nozzle Wrench, R-70	(D23310)
21	42072, Cover Removal Tool, R-70	(B41880)
22	46000, Solenoid Wrench	B33003
-	DR-SVK-18", Selector Valve Key	D02221
-	DR-SVK-7", Selector Valve Key	D02215
-	DR-VSIT Seat Insert Tool, DR Series	(D02235)
-	DR-VSRT Seat Removal Tool, DR Series	(D02245)
-	HUT, Hold Up Tool, 47/51DR	(D02201)
-	HUT, Hold Up Tool, 91/95DR	(D02204)
23	PHG, Pressure Hose & Gage	B33004
24	RBG, Liquid Field Pressure Gauges	(D22810)
-	SAK-2, System Analysis Kit	(A50000)
-	Snap Ring Pliers 900/950	D02203
-	Snap Ring Pliers 500/550 700/750	D02236
-	Valve Insertion Tool 500/550 700/750	B41710
-	Valve Insertion Tool 900/950	B41700
-	Selector Service Tool/Key - EAGLE/DR (Orange Tool)	B41720
-	Installation Socket for Top Serviceable Rock Screen	D02237

Note: Part numbers enclosed in brackets () are not available individually, but may be sold in assemblies or kits.

January 1, 2015



Note: Part numbers enclosed in brackets () are not available individually, but may be sold in assemblies or kits.

January 1, 2015

Note: Part numbers enclosed in brackets () are not available individually, but may be sold in assemblies or kits.

January 1, 2015



Your Irrigation Superstore
Email: irrigate@schumacherirrigation.com
www.schumacherirrigation.com

Toll Free: 800-246-3685
Phone: 402-246-3685
Fax: 402-246-2072



RAIN BIRD

Rain Bird Corporation
6991 East Southpoint Road
Tucson, AZ 85706
Phone: (800) 282-1933

Rain Bird Technical Services
(800) RAINBIRD (U.S. and Canada)

Specification Hotline
(800) 458-3005 (U.S. and Canada)

Rain Bird. Conserving more than water.
® Registered trademark of Rain Bird Corporation
© 2015 Rain Bird Corporation 01/15

January 1, 2015



Your Irrigation Superstore
Email: irrigate@schumacherirrigation.com
www.schumacherirrigation.com

Toll Free: 800-246-3685
Phone: 402-246-3685
Fax: 402-246-2072